

**BHAERS4 SERIES**

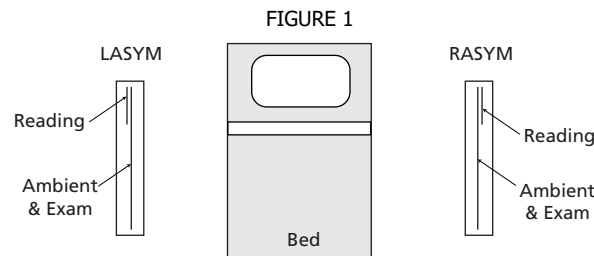
**IMPORTANT SAFEGUARDS**

**When using electrical equipment, basic safety precautions should always be followed, including the following:**

THIS PRODUCT MUST BE INSTALLED IN ACCORDANCE WITH THE APPLICABLE INSTALLATION CODE BY A PERSON FAMILIAR WITH THE CONSTRUCTION AND OPERATION OF THE PRODUCT AND THE HAZARDS INVOLVED. DISCONNECT POWER TO ALL CIRCUITS BEFORE WIRING FIXTURE. INSTALL IN ACCORDANCE WITH ALL NATIONAL, STATE, AND LOCAL CODES. DO NOT CONNECT TO AN UNGROUNDED SUPPLY. READ ALL FIXTURE MARKINGS AND LABELS TO ENSURE CORRECT INSTALLATION OF FIXTURE. SUPPLEMENTAL INSTRUCTIONS MAY BE LOCATED ON THE FIXTURE, IN ADDITION TO THIS INSTRUCTION SHEET, REGARDING ORIENTATION, OR MOUNTING RESTRICTIONS.

**SAVE THESE INSTRUCTIONS**

The installation instructions below describe how to install the BHAERS4 luminaire in various ceiling systems. This product is designed for paired (left-side/right-side) recessed ceiling installation alongside hospital patient beds. The asymmetric optic is designed to throw light toward the center of the bed. See Figure 1 for intended orientation. As standard, the product includes an integrated low-voltage controller (LVC) that allows the product to be controlled by a nurse-call / bed-control system. The LVC is located in the Master (M) luminaire, which should be installed on the left side of the bed according to Figure 1. The Satellite (S) luminaire should be installed on the right side.



NOTE: Conduit hub should be positioned toward headwall.

**RECESSED GRID FIXTURES (CEILING TYPE 'G' AND 'TG')**

This fixture is designed for use with 9/16" and 15/16" grid profiles with lay-in (G) and tegular (TG) ceiling tiles. Vertical grid T thickness is to be less than 1/4" with a maximum height of 2". Width of the center to center grid dimension is 4-5/8".

1. Disconnect facility power to the electric power supply leads.
2. Install luminaire into grid ceiling. Secure included grid support brackets to side of luminaire and space out evenly along length.
3. Remove lens assembly from housing by removing all fasteners using tamper-resistant T15 Torx screwdriver. Set lens aside in a protected, clean area.
4. Remove screws and disconnect wire connectors from LED module assembly. Set LED module assembly in a safe location.
5. Run power supply feed to provided conduit hub.
6. Complete wiring connections to AC supply, earth ground and control wiring, following all applicable electrical codes. This product is intended to be installed in a master-satellite control pairing with the standard low-voltage controller located within the Master (M) unit. The low-voltage (5VDC) connections to the nurse-call/bed control/wall control devices should therefore be run to the Master (M) unit. Power and dimming control wires should then be run from the Master (M) unit to the Satellite (S) unit following the included wiring instructions.
7. Reconnect LED module wires and install LED module wireway cover. Make sure all wires are tucked back into wireway before fastening into place.
8. Re-install the lens door assembly using provided Torx fasteners.
9. Apply power to luminaire and test for full operation.



## RECESSED FLANGE FIXTURES (CEILING TYPE 'FL')

Fixture is designed for installation into framed-out drywall ceilings with up to 5/8" drywall using threaded-rod and hardware (provided by others). Refer to cutout dimensions provided in Table 1.

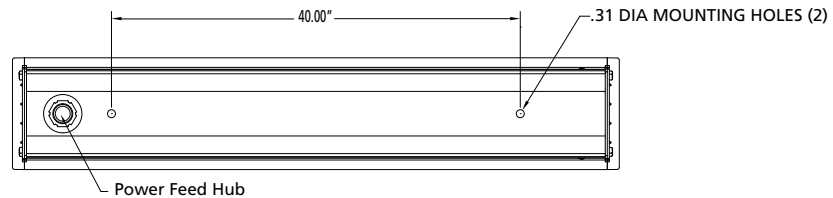
To ensure seal between the luminaire flange and the ceiling, make sure the drywall is of adequate thickness to resist bowing. It should not run (deviate from a straight edge) more than 1/32" over a 2' distance.

1. Disconnect facility power to the electric power supply leads.
2. Frame out location of luminaire using the cut-out dimensions provided in Table 1. Framing members should run the full length of the luminaire. "C" shaped, 16GA galvanized steel channel is recommended for its straightness.

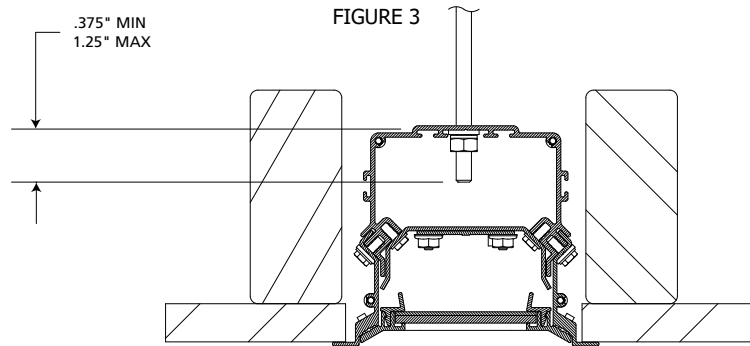
TABLE 1

Nominal Length	Ceiling Cut-Out
48	3.875" × 47.25"

FIGURE 2



3. Using the mounting hole locations within the luminaire housing as a guide (reference Figure 2), frame out and position 1/4-20 threaded rod (or suitable alternate means, provided by others) as required for eventually securing the luminaire into the ceiling (see Figure 3).



4. Install drywall such that the luminaire cut-out is within whole pieces of the panel. Ceiling seams and joints should be outside the fixture cut-out, if possible. Drywall shall be secured to the framing members around the opening.
5. Cut-out opening per the dimensions provided. Dimensions should be accurate to 1/16 of an inch. Complete all remaining drywall finishing steps.
6. With luminaire on a work surface, remove lens assembly from housing by removing all fasteners using tamper-resistant T15 Torx screwdriver. Set lens aside in a protected, clean area.
7. Remove screws and disconnect wire connectors from LED module assembly. Set LED module assembly in a safe location.
8. Raise luminaire toward the ceiling. Using an assistant, run a flexible power supply feed to the provided conduit hub.
9. Insert luminaire into ceiling, aligning with threaded rod (or equal) installed previously. Fasten to ceiling using appropriate hardware (by others). Make sure luminaire flange is seated against the drywall.
10. Complete wiring connections to AC supply, earth ground and control wiring, following all applicable electrical codes. This product is intended to be installed in a master-satellite control pairing with the standard low-voltage controller located within the Master (M) unit. The low-voltage (5VDC) connections to the nurse-call/bed control/wall control devices should therefore be run to the Master (M) unit. Power and dimming control wires should then be run from the Master (M) unit to the Satellite (S) unit following the included wiring instructions.
11. Reconnect LED module wires and install LED module wireway cover. Make sure all wires are tucked back into wireway before fastening into place.



12. Re-install the lens door assembly using provided Torx fasteners.
13. Apply power to luminaire and test for full operation.

## TRIMLESS MUD-IN FIXTURES (CEILING TYPE 'TM')

Fixture is designed for installation into framed-out drywall ceilings with up to 5/8" drywall. The flange around the perimeter is designed to be mudded and blended into the ceiling for a clean appearance.

1. Disconnect facility power to the supply leads.
2. Frame out location of luminaire using the cut-out dimensions provided in Figure 3. Framing members should run the full length of the luminaire. "C" shaped, 16GA galvanized steel channel is recommended for its straightness.
3. Using the mounting hole locations within the luminaire housing as a guide (reference Figure 3), frame out and position 1/4-20 threaded rod (or suitable alternate means, provided by others) as required for eventually securing the luminaire into the ceiling. (see Figure 4).
4. Install drywall such that the luminaire cut-out is within whole pieces of the panel. Ceiling seams and joints should be outside the fixture cut-out, if possible. Drywall shall be secured to the framing members around the opening.
5. Cut-out opening per the dimensions provided. Dimensions should be accurate to 1/16 of an inch.
6. With luminaire on a work surface, remove lens assembly from housing by removing all fasteners using tamper-resistant T15 Torx screwdriver. Set lens aside in a protected, clean area.
7. Remove screws and disconnect wire connectors from LED module assembly. Set LED module assembly in a safe location.
8. Raise luminaire toward the ceiling. Using an assistant, run a flexible power supply feed to the provided conduit hub.
9. Insert luminaire into ceiling, aligning with threaded rod (or equal) installed previously. Fasten to ceiling using appropriate hardware (by others). Make sure luminaire flange is seated against the drywall.
10. Mask internal components of luminaire and mud-in/blend luminaire flanges. Complete all remaining drywall finishing steps.
11. Complete wiring connections to AC supply, earth ground and control wiring, following all applicable electrical codes. This product is intended to be installed in a master-satellite control pairing with the standard low-voltage controller located within the Master (M) unit. The low-voltage (5VDC) connections to the nurse-call/bed control/wall control devices should therefore be run to the Master (M) unit. Power and dimming control wires should then be run from the Master (M) unit to the Satellite (S) unit following the included wiring instructions.
12. Reconnect LED module wires and install LED module wireway cover. Make sure all wires are tucked back into wireway before fastening into place.
13. Re-install the lens door assembly using provided Torx fasteners.
14. Apply power to luminaire and test for full operation.

## CONTROL AND OPERATION DESCRIPTION

This product is equipped with a low-voltage controller that allows for pillow-switch/wall control of the ambient, exam and (optional) reading modes.

"Ambient" mode operates the primary light engine at 50% output. A sustained button press on the wall/bed controller sweeps light intensity (dimming) from 50% down to 0% (bi-directionally).

"Exam" mode operates the primary light engine at 100% output. Dimming of light intensity in this mode is disabled.

"Reading" mode (if equipped) operates a secondary light engine position nearest the headwall (see Figure 1). A sequential button press on the wall/bed controller connected to the "Reading" input on the LVC changes intensity in the order of 0% / 33% / 66% / 100% / 0% (and repeat).

## CUSTOMER SERVICE

For technical assistance, call 1-800-4KENALL (1-800-453-6255).

## WARRANTY

For warranty information visit [www.kenall.com/Resources/Certified-Performance-Warranties](http://www.kenall.com/Resources/Certified-Performance-Warranties)



www.kenall.com | P: 800-4-Kenall | F: 262-891-9701 | 10200 55th Street Kenosha, Wisconsin 53144, USA

This product complies with the Buy American Act: manufactured in the United States with more than 50% of the component cost of US origin. It may be covered by patents found at [www.kenall.com/patents](http://www.kenall.com/patents). Content of specification sheets is subject to change; please consult [www.kenall.com](http://www.kenall.com) for current product details. ©2022 Kenall Mfg. Co.

A brand of Legrand