

IMPORTANT SAFEGUARDS

When using electrical equipment, basic safety precautions should always be followed, including the following:

THIS PRODUCT MUST BE INSTALLED IN ACCORDANCE WITH THE APPLICABLE INSTALLATION CODE BY A PERSON FAMILIAR WITH THE CONSTRUCTION AND OPERATION OF THE PRODUCT AND THE HAZARDS INVOLVED.

CE PRODUIT DOIT ÊTRE INSTALLÉ SELON LE CODE D'INSTALLATION PERTINENT, PAR UNE PERSONNE QUI CONNAÎT BIEN LE PRODUIT ET SON FONCTIONNEMENT AINSI QUE LES RISQUES INHÉRENTS.

DISCONNECT POWER TO ALL CIRCUITS BEFORE WIRING FIXTURE. INSTALL IN ACCORDANCE WITH ALL NATIONAL, STATE, AND LOCAL CODES. DO NOT CONNECT TO AN UNGROUNDED SUPPLY. READ ALL FIXTURE MARKINGS AND LABELS TO ENSURE CORRECT INSTALLATION OF FIXTURE. SUPPLEMENTAL INSTRUCTIONS MAY BE LOCATED ON THE FIXTURE, IN ADDITION TO THIS INSTRUCTION SHEET, REGARDING ORIENTATION, OR MOUNTING RESTRICTIONS.

SAVE THESE INSTRUCTIONS

THE DOWNLIGHT CONTAINS SENSITIVE ELECTRONICS. TAKE CARE TO AVOID DAMAGE BY IMPROPER HANDLING OR STATIC ELECTRICITY DISCHARGE (SED). EITHER TYPE OF DAMAGE COULD RENDER THE SYSTEM INOPERABLE OR CAUSE LATENT FAILURE.

RECOMMENDED CEILING CUTOUT:

'R' STYLE: 4.125" DIA. 'NF' STYLE: 4.750" DIA. 'FF' STYLE: 4.875" DIA.

NOTE: 23L or 28T fixtures must be installed minimum 24" center to center, 12" from wall and have 1/2" clearance above trim.

DRYWALL CEILING

- Loosen locking screws to extend hanger bars.
See Figure 1.
- Align bottom of hanger bar tabs to bottom of joist.
- Secure luminaire hanger bars using nails or screws.
- Position luminaire as required and lock position by tightening locking screws.
- Remove junction box cover.
- Remove appropriate 1/2" conduit knockout(s) and connect to electrical service using approved wire connectors. Black to HOT supply, white to COMMON supply, green/copper to suitable GROUND. If dimming is to be utilized, violet to 10V+ supply, pink to 10V- supply.
- Replace junction box cover.

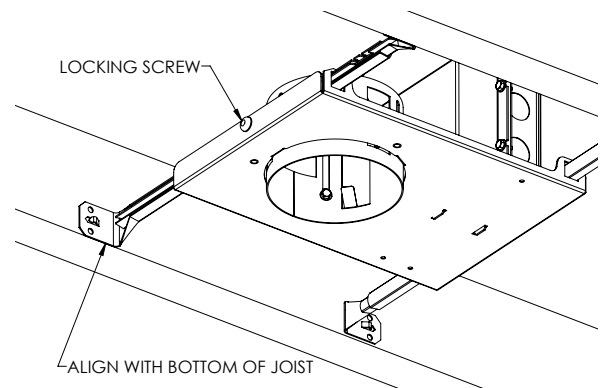


FIGURE 1



GRID CEILING

1. Loosen locking screws to extend hanger bars. "See Figure 2.
2. Position luminaire as required and lock position by tightening locking screws.
3. Attach luminaire securely to grid using brackets, screws and nuts provided or wiring to grid members. See Figure 3.
4. Remove junction box cover.
5. Remove appropriate 1/2" conduit knockout(s) and connect to electrical service using approved wire connectors. Black to HOT supply, white to COMMON supply, green/copper to suitable GROUND. If dimming is to be utilized, violet to 10V+ supply, grey to 10V- supply.
6. Replace junction box cover.

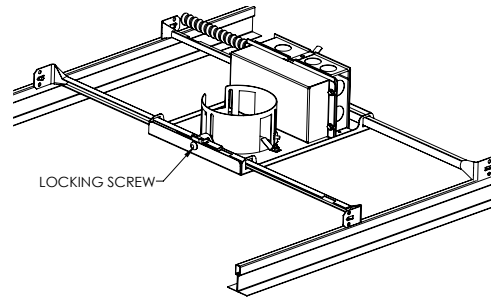


FIGURE 2

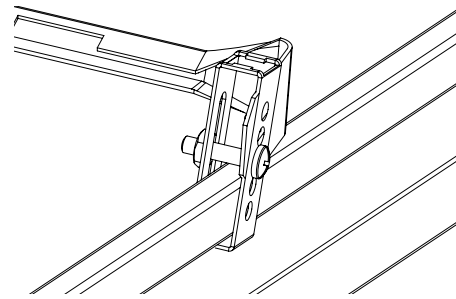


FIGURE 3

TRIM CONNECTION AND INSTALLATION

'R' STYLE:

1. With finished ceiling or tile in place, check position of locking springs attached to frame. If necessary, rotate springs so that they are against vertical frame wall (Figure 4).
2. Fasten conduit adapter to TRIM SECTION using the screw provided (see Figure 5).
3. Position TRIM SECTION such that springs are NOT aligned with steel flanges on side of lower housing and install TRIM SECTION. Press firmly to ceiling.
4. Check to ensure that the gasket between the TRIM SECTION and the ceiling is compressed.

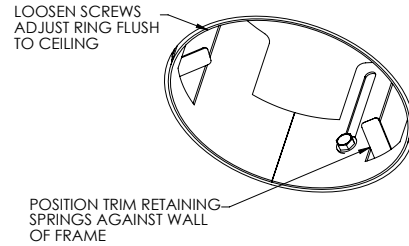


FIGURE 4

'NF' STYLE:

1. With finished ceiling or tile in place, loosen adjustment screws and position ring even with room side of ceiling (Figure 4).
2. Check position of locking springs attached to frame. If necessary, rotate springs so that they are against vertical frame wall (Figure 4).
3. Fasten conduit adapter to TRIM SECTION using the screw provided (see Figure 5).
4. Position TRIM SECTION such that springs are NOT aligned with steel flanges on side of lower housing and install TRIM SECTION. Press firmly to ceiling.
5. Check to ensure that the gasket between the TRIM SECTION and the ceiling is compressed.

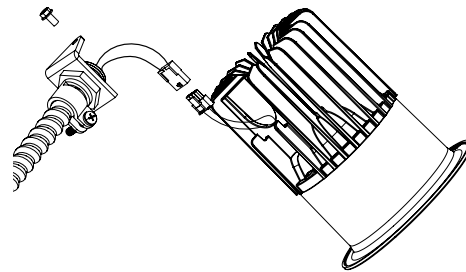


FIGURE 5

'FF' STYLE:

1. With finished ceiling or tile in place, loosen adjustment screws and position ring even with room side of ceiling (Figure 4).
2. Fasten conduit adapter to TRIM SECTION using the screw provided (see Figure 5).
3. Position TRIM SECTION and align the (3) trim mounting screws with the cage nuts in the mounting ring (see Figure 6). Tighten to secure the trim.
4. Check to ensure that the gasket between the TRIM SECTION and the ceiling is compressed.

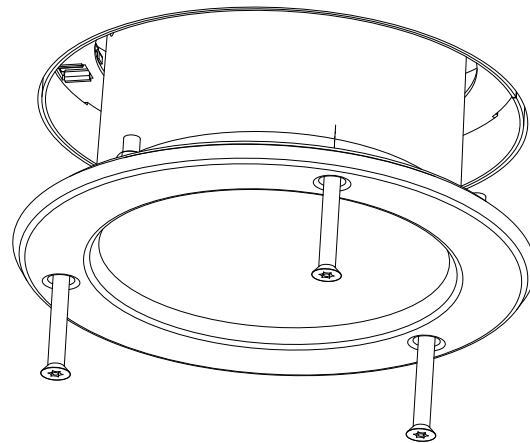


FIGURE 6

TRIM REMOVAL (STYLE 'R' AND 'NF')

1. To remove trim, turn counter clockwise (left) until the locking springs rotate, freeing the trim.
2. Before re-installing the trim, rotate the locking springs back against the slot wall in the adjustment ring (See Figure 5).

CUSTOMER SERVICE

For technical assistance, call 1-800-4KENALL (1-800-453-6255).

WARRANTY

For warranty information visit www.kenall.com/Resources/Certified-Performance-Warranties

