

IMPORTANT SAFEGUARDS

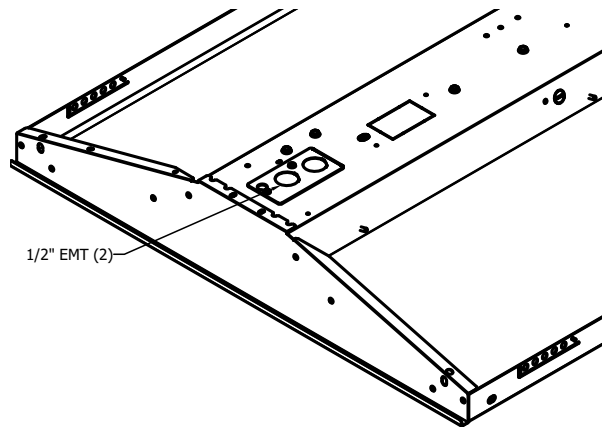
When using electrical equipment, basic safety precautions should always be followed, including the following:

THIS PRODUCT MUST BE INSTALLED IN ACCORDANCE WITH THE APPLICABLE INSTALLATION CODE BY A PERSON FAMILIAR WITH THE CONSTRUCTION AND OPERATION OF THE PRODUCT AND THE HAZARDS INVOLVED. DISCONNECT POWER TO ALL CIRCUITS BEFORE WIRING FIXTURE. INSTALL IN ACCORDANCE WITH ALL NATIONAL, STATE, AND LOCAL CODES. DO NOT CONNECT TO AN UNGROUNDED SUPPLY. READ ALL FIXTURE MARKINGS AND LABELS TO ENSURE CORRECT INSTALLATION OF FIXTURE. SUPPLEMENTAL INSTRUCTIONS MAY BE LOCATED ON THE FIXTURE, IN ADDITION TO THIS INSTRUCTION SHEET, REGARDING ORIENTATION, OR MOUNTING RESTRICTIONS.

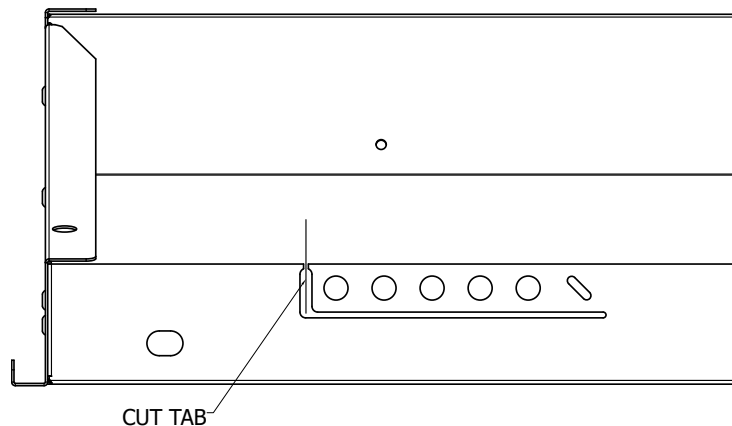
SAVE THESE INSTRUCTIONS

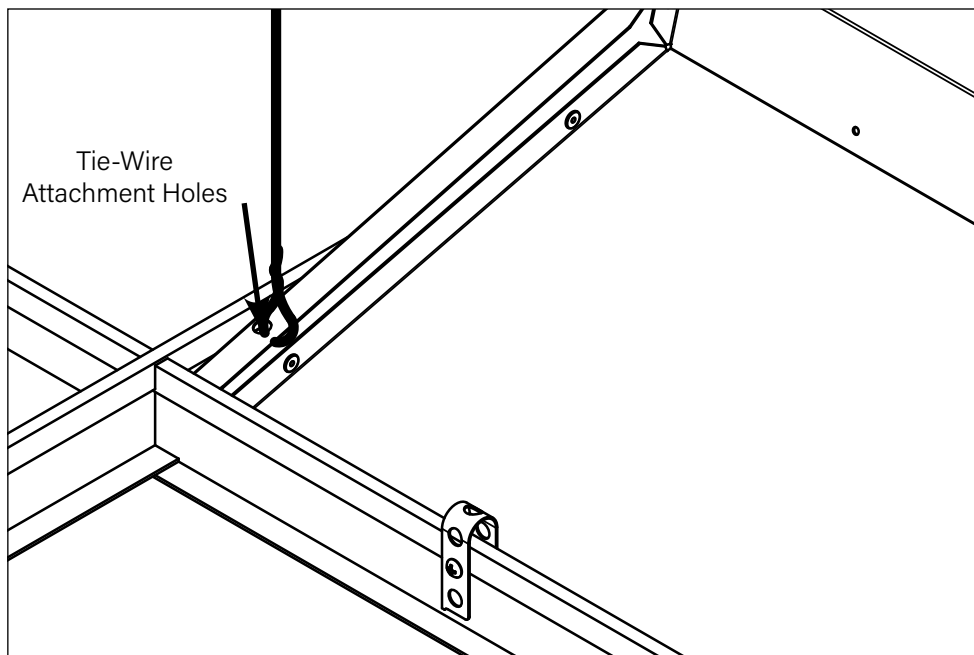
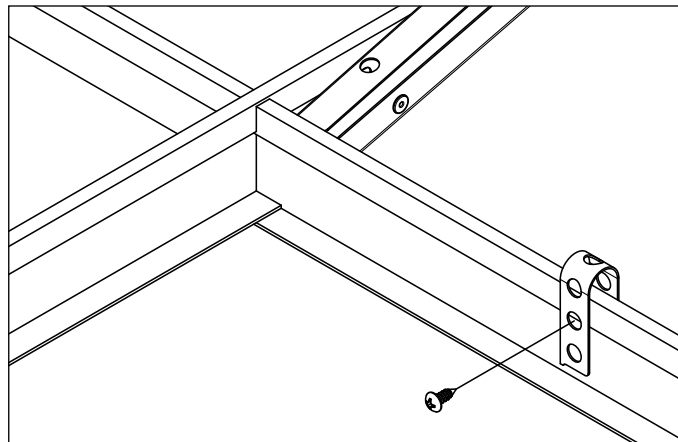
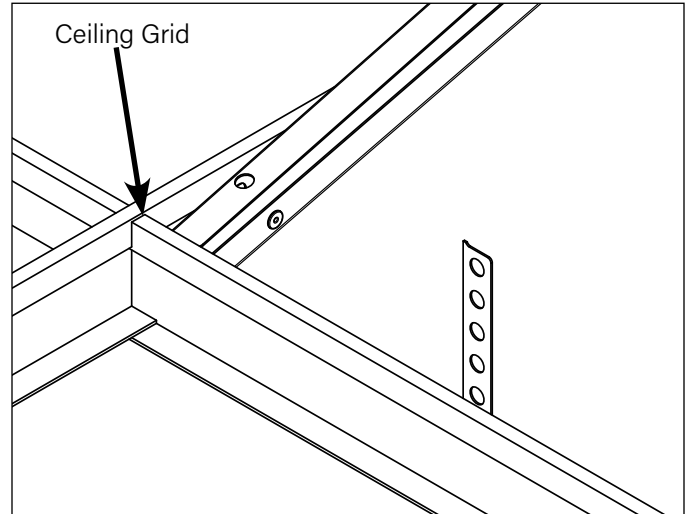
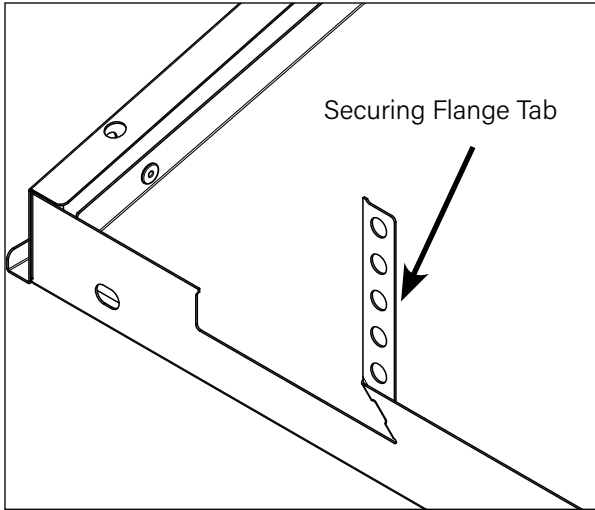
RECESSED GRID FIXTURES

1. Fixture is designed for use with 9/16", 15/16" and slot-T T bar grid systems with vertical grid T thickness' of less than 1/4" with a maximum height of 2". Grid systems can be installed with standard 24 or 48 inch center line spacing of grid.
2. Remove junction box cover and make conduit connections to the appropriate 1/2" knockout(s).



3. Fixture housing lays into grid system. Cut and bend securing flange tab as shown below. Raise fixture into opening (this step may require two people for safety). Then secure the fixture to grid system with the securing flange tab and mounting hardware (provided by others). If applicable attach tie-wire to provided mounting points.







DRYWALL FLANGE FIXTURES

1. Place the frame into your opening and secure with screws or nails to your frame support structure.
2. Remove junction box cover and make conduit connections to the appropriate 1/2" knockout(s).
3. Fixture housing lays into frame support.

CUSTOMER SERVICE

For technical assistance, call 1-800-4KENALL (1-800-453-6255).

WARRANTY

For warranty information visit www.kenall.com/Resources/Certified-Performance-Warranties

