

MEDMASTER® MULTI-FUNCTION ROUND TROFFER

Architectural Luminaires for Behavioral Health Applications

BHAERT SERIES

PRODUCT FEATURES:

- » 24" Round shape provides a differentiated aesthetic to behavioral health lighting applications
- » Ambient and examination multi-function lamping for over-bed applications
- » Full backlit LED array and high diffusion lens provides uniformly-lit appearance
- » Continuous lens retention and tamper-resistant fasteners for ligature prevention
- » Standard IP64 and NSF2 rating
- » Suitable for recessed drywall/hard ceilings with minimal plenum ingress
- » Optional control via low-voltage control (LVC)



SPECIFICATIONS

HOUSING: Fabricated 20ga CRS housing with white TGIC polyester powder-coat finish and five-stage pre-treatment. Roll-formed and butt-welded 6063-T5 aluminum extruded collar for door attachment, finished in selected color option using TGIC polyester powder with five-stage pre-treatment.

DOOR ASSEMBLY: Roll-formed and butt-welded 6063-T5 extruded aluminum with TGIC polyester powder-coat finish in selected color, with five-stage pre-treatment. Secured to housing with flush-mounted, color-matched and tamper-resistant Torx fasteners. Closed cell silicone gasketing seals doorframe to housing. High-efficiency diffused, impact-resistant acrylic inner lens with outer clear polycarbonate lens in various thickness options. Continuous lens retention with door frame.

LED MODULE: Serviceable dual-channel back-lit LED array. Standard 80CRI min. (R9>0) with optional 90CRI min. (R9>50). See Ordering Information for available color temperature options. Optional nightlight in 590nm native amber or 2700K, 80CRI white.

DRIVER: 120-277VAC or 347VAC, 50/60Hz electrical input with serviceable constant-current drivers (<20% THD, >0.90 PF). Ambient and Exam functions are separately circuited, except when ordered with the low-voltage controller options (LVC/LVCD). Full output mode is achieved by powering both lamping circuits simultaneously. Minimum 85% driver efficiency. Standard 0-10V dimming with 1-100% range and dim-to-dark capabilities (non dim-to-dark with 347V); maximum 165 µA maximum source current. Optional eldoLED ECODrive DALI drivers with 1-100% range.

CONTROLS: Optional LVC and LVCD provides a low-voltage patient interface, controlling the lamp source and optional night light with (LVCD) and without (LVC) dimming control.

INSTALLATION: Suitable for Type-IC recessed ceiling installation into drywall ceilings up to 5/8" thick. External brackets on housing secure luminaire to ceiling structure (mounting hardware by others).

PHOTOMETRICS: Photometry tested to the IESNA LM-79-08 standard by an ILAC/ISO17025 accredited laboratory. For detailed photometric information, please visit www.kenall.com.

WARRANTY: Limited five (5) year warranty.

LISTINGS: Luminaire is certified to UL standards by Intertek Testing Laboratories for Type-IC and Wet Location installations. Non-IC rated when ordered with LEL option. IP64 rating per IEC60598. NSF2 Splash/Non-Food Zone rated. Standard CCEA compliance.



ORDERING INFORMATION (Ex: BHAERT-22-F-CS-7-35L/55L-40K9-DIM1-DV-NLA)

Model	Size	Ceiling Type	Finish	Outer Lens Type	Lamp Power	Lamp Color	Driver Type	Voltage	Options
BHAERT	22	F							
	Nominal Size			Outer Lens Type			Driver Type		
	22 2' Diameter			G .125" Clear Polycarbonate			DIM1 0-10V Dimming to 1% with Dim-to-Dark		
	Ceiling Configuration			7 .187" Clear Polycarbonate			DALI* DALI Dimming to 1% without Dim-to-Dark		
	F Drywall Ceiling			9 .250" Clear Polycarbonate			Input Voltage		
	Finish - Room-Side			Lamp Power			DV 120-277VAC, 50/60Hz		
	GW Anti-Microbial Gloss White			35L/55L 35 Watt Ambient / 55 Watt Exam			120 120VAC, 60Hz		
	MW Anti-Microbial Matte White			Lamp Color			277 277VAC, 60Hz		
	CS Cool Satin Painted Anodized			30K8 3000K / 80 CRI min.			347 347VAC, 60Hz		
	WS Warm Satin Painted Anodized			30K9 3000K / 90 CRI min.			Options		
				35K8 3500K / 80 CRI min.			LEL* Integral 10W Emergency Battery Backup (specified voltage required)		
				35K9 3500K / 90 CRI min.			FS Fuse & Holder		
				40K8 4000K / 80 CRI min.			LVC* Low Voltage Controller (click here for specifications, DIM1 only)		
				40K9 4000K / 90 CRI min.			LVCD* Low Voltage Controller with Dimming (click here for specifications, DIM1 only)		
							NLW* 2700K White LED Night Light		
							NLA* Amber LED Night Light		

* n/a with 347V

ACCESSORIES ORDERED SEPARATELY
MPWS Low Voltage Wall Switch (Click [here](#) for Specifications)



www.kenall.com | P: 800-4-Kenall | F: 262-891-9700 | 10200 55th Street Kenosha, Wisconsin 53144, USA

A brand of **legrand**

This product complies with the Buy American Act: manufactured in the United States with more than 50% of the component cost of US origin. It may be covered by patents found at www.kenall.com/patents. Content of specification sheets is subject to change; please consult www.kenall.com for current product details. ©2023 Kenall Mfg. Co.

MEDMASTER® MULTI-FUNCTION ROUND TROFFER

Architectural Luminaires for Behavioral Health Applications

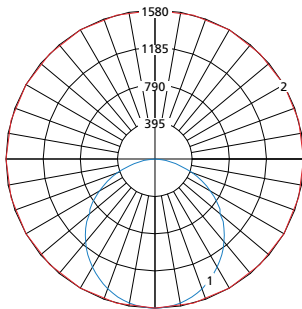
BHAERT SERIES

PERFORMANCE

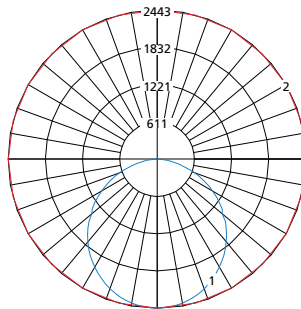
Lens Type	Lamp Power	Mode	Initial Delivered Lumens, By Lamp Color						Efficacy (lm/W)	Input Power (W)	TM-21 Reported L70 (hrs)
			30K8	30K9	35K8	35K9	40K8	40K9			
G	35L/55L	Ambient	4,306	3,623	4,365	3,682	4,514	3,801	86 - 107	42	>72,000
		Exam	6,658	5,602	6,749	5,693	6,979	5,877	86 - 107	65	
		Ambient + Exam	10,792	9,080	10,941	9,229	11,313	9,527	85 - 106	106	
7	35L/55L	Ambient	4,241	3,568	4,300	3,627	4,446	3,744	85 - 106	42	
		Exam	6,558	5,518	6,648	5,608	6,874	5,789	85 - 106	65	
		Ambient + Exam	10,630	8,944	10,777	9,091	11,143	9,384	84 - 105	106	
9	35L/55L	Ambient	4,079	3,432	4,135	3,488	4,276	3,601	82 - 102	42	
		Exam	6,307	5,307	6,394	5,394	6,612	5,568	82 - 102	65	
		Ambient + Exam	10,224	8,602	10,365	8,743	10,718	9,025	81 - 101	106	

Information subject to change without notice. Visit www.kenall.com for .ies files and additional information

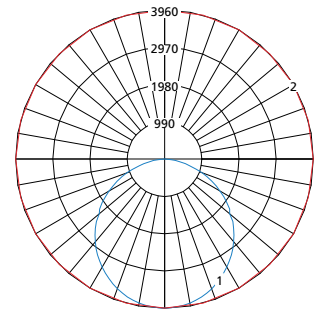
Model: BHAERT-22-F-tt-7-35L/55L-40K8-DIM1-DV (Ambient) Model: BHAERT-22-F-tt-7-35L/55L-40K8-DIM1-DV (Exam) Model: BHAERT-22-F-tt-7-35L/55L-40K8-DIM1-DV (A + E)



Maximum Candela = 1580 Located At Horizontal Angle = 0, Vertical Angle = 0
 1 - Vertical Plane Through Horizontal Angles (0-180) (Through Max. Cd.)
 2 - Horizontal Cone Through Vertical Angle (0) (Through Max. Cd.)

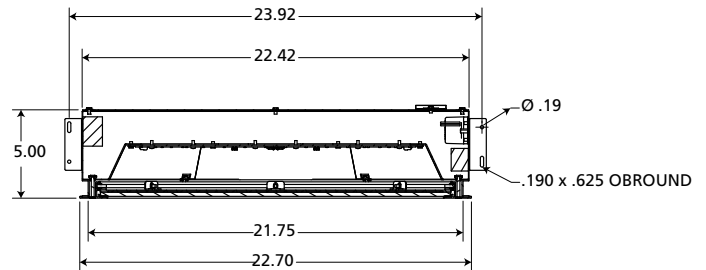
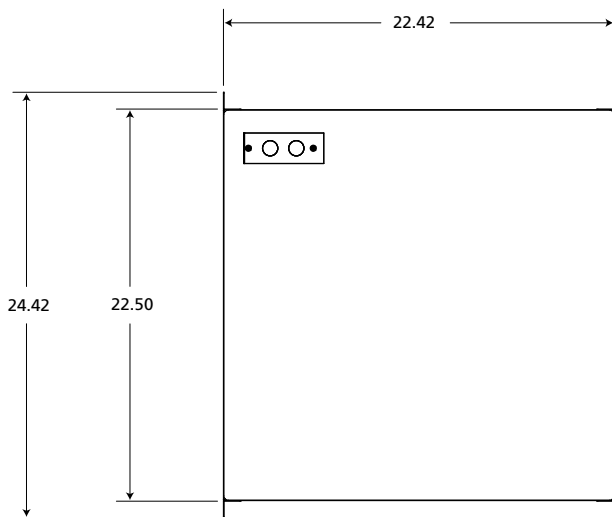


Maximum Candela = 2443 Located At Horizontal Angle = 0, Vertical Angle = 0
 1 - Vertical Plane Through Horizontal Angles (0-180) (Through Max. Cd.)
 2 - Horizontal Cone Through Vertical Angle (0) (Through Max. Cd.)



Maximum Candela = 3960 Located At Horizontal Angle = 0, Vertical Angle = 0
 1 - Vertical Plane Through Horizontal Angles (0-180) (Through Max. Cd.)
 2 - Horizontal Cone Through Vertical Angle (0) (Through Max. Cd.)

DIMENSIONAL DATA



www.kenall.com | P: 800-4-Kenall | F: 262-891-9700 | 10200 55th Street Kenosha, Wisconsin 53144, USA

A brand of **legrand**

This product complies with the Buy American Act: manufactured in the United States with more than 50% of the component cost of US origin. It may be covered by patents found at www.kenall.com/patents. Content of specification sheets is subject to change; please consult www.kenall.com for current product details. ©2023 Kenall Mfg. Co.