

# SIMPLESEAL™ NARROW SPECTRUM CSED0 SERIES – RED & TUNABLE WHITE LED

## PRODUCT FEATURES:

- » Click [here](#) for fixed white CCT Product
- » Narrow-spectrum 630nm red LED circuit provides only high-purity light for spectrally-sensitive applications
- » High-output, tunable white LED circuit provides visual acuity and accurate color rendition with an adjustable color spectrum
- » Diffused high-efficiency lens for reduced glare
- » One-piece overlapping door provides air-tight integrity of luminaire and room
- » Suitable for universal installation into 1.0" and 1.5" grid or flange (drywall) ceilings

## SPECIFICATIONS

**HOUSING:** Standard 24-gauge (optional 20-gauge) cold rolled steel, hole-free, one-piece, seam-welded construction. 18-gauge housing flange with mitered and welded corners. White TGIC polyester powder coat finish – 5-step pre-treatment. Salt spray test: 1,000 hours; Reflectance: 92%.

**DOORFRAME:** 20-gauge type 304 stainless steel (#4 finish-post fabrication). One-piece 60° beveled perimeter construction. Continuous angle lens retention system. Mechanical guide for doorframe fastener alignment. Doorframe secured to housing with stainless steel aircraft cables and captive flush mounted Phillips head stainless steel fasteners (8) for 2'x2', (12) for 2'x4'. Thumb screws used for FN option.

**DOORFRAME GASKET:** One-piece closed cell extruded Nitrile gasket seals Doorframe to housing and ceiling structure.

**OPTICS:** Symmetric optic includes diffused, impact-resistant acrylic lens.

**LED MODULE:** Serviceable tunable-white, mid-power LED array provides 2700K through 6500K CCT range with a two-point path. 3-step MacAdam variation allowance on each CCT. Minimum 82 CRI standard (R9 >20) with optional minimum 92 CRI (R9 >50). Serviceable 630nm red mid-power LED array (16nm FWHM bandwidth).

**DRIVER:** 120-277VAC, 50/60Hz electrical input (PF ≥ 0.9, THD < 20%). Minimum 85% electrical efficiency. Tunable white circuit can be independently powered and dimmed. **TW:** Serviceable, constant-current multi-channel programmable driver with dual analog (0-10V) control inputs for intensity and CCT. Optional DALI (Type 8) driver. Logarithmic intensity profile with 0.1-100% range, with dim-to-dark capabilities. Linear profile on CCT adjustment. Refer to charts on page 2 for further details. **RED:** Serviceable constant-current programmable driver. Dimming protocol matches tunable white circuit selection: 0-10V dimming with 1-100% range and dim-to-dark capabilities or DALI with 1-100% range and dim-to-dark capability.

**INSTALLATION:** Non-IC recessed ceiling mounting into grid and flange application types. Flange installation utilizes included adjustable swing-out mounting brackets. Grid installation suitable for 1" and 1.5" T-bar ceilings. Universal installation into grid or flange (drywall) ceiling applications. See Options for continuous row mounting and install frames.

**PHOTOMETRICS:** Photometry tested to the IESNA LM-79-08 standard. For additional photometric data, please go to [www.kenall.com](http://www.kenall.com)

**WARRANTY:** Limited five (5) year warranty.

**LISTINGS:** Luminaire is certified to UL standards by Intertek Testing Laboratories for Wet Locations and non-IC recessed installation. Certified IP66 per IEC 60598. NSF2 Splash/Non-Food Zone. CCEA Approved. Suitable for biosafety labs rated BSL 3 and 4. Optional NSF Protocol P442 certified. FED-STD-209E/Class 1 (ISO 3) Cleanrooms. Optional NSF2 Food Zone/Non-Contact. Suitable for EU GMP Grade A cleanrooms.



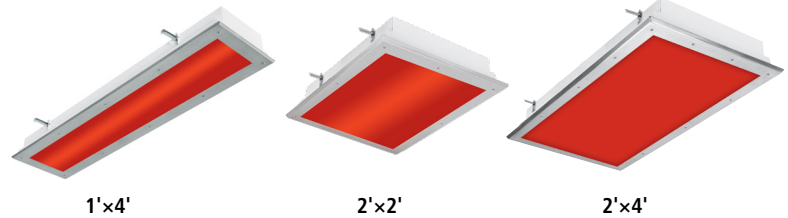
## PROJECT INFORMATION

Job Name \_\_\_\_\_

Fixture Type \_\_\_\_\_

Catalog Number \_\_\_\_\_

Approved by \_\_\_\_\_



## ORDERING INFORMATION (Ex: CSED0-24-23RD/67T-27/65K9-ATW-DV-5F-2H-SYM)

Model	Size	Lamp Power	Lamp Color	Driver	Voltage	Doorframe	Housing	Optics	Options
<b>CSED0</b>							<b>SYM</b>		
<b>Size</b>				<b>Voltage</b>				<b>Options</b>	
14	1'x4'			DV	120-277VAC, 50/60Hz			LEL†	8.4W Emergency Battery Pack
22	2'x2'			120	120VAC			AMF▲	Antimicrobial Finish
24	2'x4'			277	277VAC			FN**	Food Zone/Non-Contact
<b>Lamp Power</b>				<b>Doorframe Options</b>				FS	Fuse & Holder
1'x4'				5F	20-Ga Type 304 SS (STD)			HJ	Sealed Wireway
23R/45T	23 Watt Red/45 Watt Tunable White LED			2F	20-Ga CRS			RF	Radio Frequency Filter (voltage specific selection required)
23R/67T	23 Watt Red/67 Watt Tunable White LED			XF	20-GA Type 316 SS			RM*	Continuous Row Mounting
2'x2'				PAF	.063" Painted Fabricated Aluminum			P442‡	Optional NSF Protocol P442 Certified
23RD/45TD	23 Watt Red/45 Watt Tunable White LED			<b>Housing Options</b>				<b>Accessories</b>	
23RD/67T	23 Watt Red/67 Watt Tunable White LED			4H	24-Ga CRS (STD)			IF**	Install Frame
2'x4'				2H	20-Ga CRS				
23RD/45TD	23 Watt Red/45 Watt Tunable White LED			5H	20-Ga Type 304 SS				
23RD/67T	23 Watt Red/67 Watt Tunable White LED			XH	20-GA Type 316 SS				
23RD/90T	23 Watt Red/90 Watt Tunable White LED			PAH	.050" Painted Aluminum				
<b>Lamp Color</b>				<b>Optics</b>					
27/65K8	2700-6500K CCT Range (82 CRI min)			SYM	Symmetric, Diffused DR Acrylic				
27/65K9	2700-6500K CCT Range (92 CRI min)								
<b>Driver Type</b>									
ATW	Analog (0-10V) Dimming Tunable White Driver								
DTW	DALI Tunable White Driver								
DMX	DMX Tunable White Driver (Consult Factory)								

\* Add .375" to ceiling cut out dimensions  
 \*\* Lensing consists of FDA approved Food Zone clear polycarbonate outer lens and diffused acrylic inner lens  
 † Height of fixture is 5.875" with LEL Option. Voltage-specific selection required.  
 ▲ Applied only to exposed painted surfaces of luminaire (not available on stainless steel doorframes)  
 ‡ P442 only available on CSED024  
 ♦ Only available when installed in drywall ceilings (flange mount). Consult factory for ceiling layout assistance.



www.kenall.com | P: 800-4-Kenall | F: 262-891-9701 | 10200 55th Street Kenosha, Wisconsin 53144, USA

A brand of **Legrand**

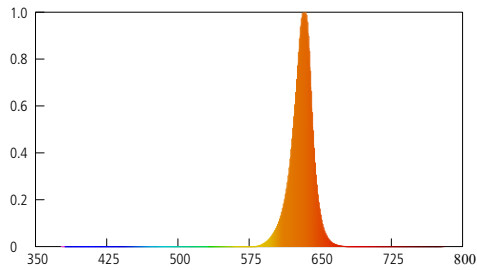
This product complies with the Buy American Act: manufactured in the United States with more than 50% of the component cost of US origin. It may be covered by patents found at [www.kenall.com/patents](http://www.kenall.com/patents). Content of specification sheets is subject to change; please consult [www.kenall.com](http://www.kenall.com) for current product details. ©2019 Kenall Mfg. Co.

# SIMPLESEAL™

## CSEDO SERIES – RED & TUNABLE WHITE LED

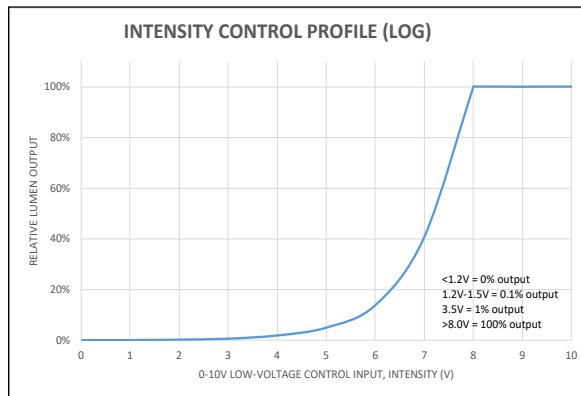
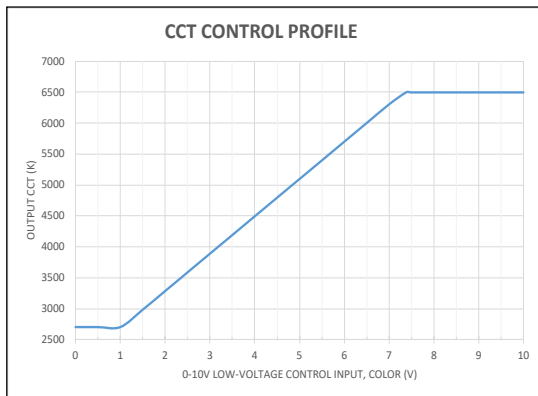
Size	Lamp Code	Red LED Circuit Initial Delivered Lumens			Tunable White LED Circuit Delivered Performance at 4000K			Red/White Estd. L <sub>70</sub> LED Life (hrs)
		Lumen Output (lm)	Efficacy (lm/W)	Input Power (W)	Lumen Output (lm)	Efficacy (lm/W)	Input Power (W)	
1' x 4'	23R/45T-27/65K8	954	34	28	5,676	123	46	36,000 / 80,000
	23R/45T-27/65K9				4,575	99		
	23R/67T-27/65K8				8,493	125	68	
	23R/67T-27/65K9				7,034	103		
2' x 2'	23RD/45TD-27/65K8	1,021	36	28	5,490	119	46	
	23RD/45TD-27/65K9				4,425	96		
	23RD/67T-27/65K8				8,214	121	68	
	23RD/67T-27/65K9				6,803	100		
2' x 4'	23RD/45TD-27/65K8	1,171	53	22	6,503	145	45	36,000 / 100,000
	23RD/45TD-27/65K9				5,241	116		
	23RD/67T-27/65K8				8,760	129	68	36,000 / 80,000
	23RD/67T-27/65K9				7,256	107		
	23RD/90T-27/65K8				11,377	124	92	36,000 / 60,000
	23RD/90T-27/65K9				9,170	100		

### SPECTRAL POWER DISTRIBUTION - RED



Purity: 1.0  
 UV: 0.0000% (<390nm)  
 Radiant Flux < 575nm: 0.000%  
 Bandwidth: 16nm  
 Peak Wavelength: 630nm

### CCT AND INTENSITY ADJUSTMENT PROFILE - ATW DRIVER TYPE



NOTE: The provided information is the typical expected performance of a single luminaire. Additional luminaires on the same 0-10V line may result in different control profiles. Fine tuning of system performance should be completed after installation is complete. To avoid CCT shift between luminaires, care should be taken to minimize voltage drop on the CCT Control line. It is recommended to limit the load on the CCT control circuit to twenty (20) 45T or ten (10) 67T/90T luminaires or less.



[www.kenall.com](http://www.kenall.com) | P: 800-4-Kenall | F: 262-891-9701 | 10200 55th Street Kenosha, Wisconsin 53144, USA

A brand of **legrand**

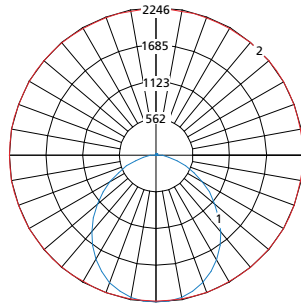
This product complies with the Buy American Act: manufactured in the United States with more than 50% of the component cost of US origin. It may be covered by patents found at [www.kenall.com/patents](http://www.kenall.com/patents). Content of specification sheets is subject to change; please consult [www.kenall.com](http://www.kenall.com) for current product details. ©2019 Kenall Mfg. Co.

# SIMPLESEAL™

## CSEDO SERIES – RED & TUNABLE WHITE LED

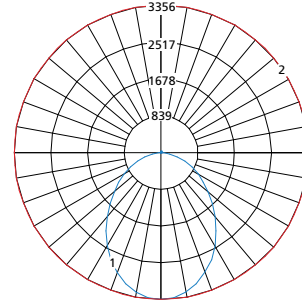
### PERFORMANCE

Model: CSEDO14-23R/45T-27/65K8-ATW-120-2F-2H-SYM (White Mode)



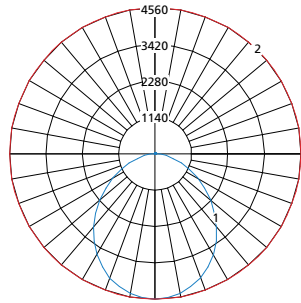
Maximum Candela = 2246 Located At Horizontal Angle = 15, Vertical Angle = 2.5  
 1 - Vertical Plane Through Horizontal Angles (15-195) (Through Max. Cd.)  
 2 - Horizontal Cone Through Vertical Angle (2.5) (Through Max. Cd.)

Model: CSEDO22-23RD/67T-27/65K8-ATW-120-2F-2H-SYM (White Mode)



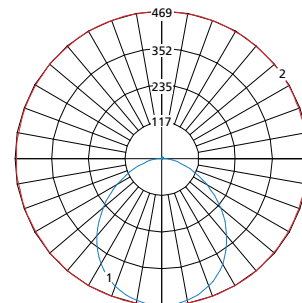
Maximum Candela = 3356 Located At Horizontal Angle = 195, Vertical Angle = 2.5  
 1 - Vertical Plane Through Horizontal Angles (195-15) (Through Max. Cd.)  
 2 - Horizontal Cone Through Vertical Angle (2.5) (Through Max. Cd.)

Model: CSEDO24-23RD/90T-27/65K8-ATW-120-2F-2H-SYM (White Mode)



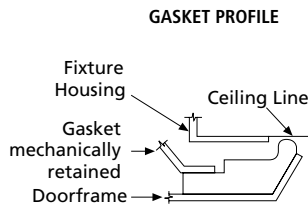
Max Candela = 4560 Located At Horizontal Angle = 0, Vertical Angle = 0  
 1 - Vertical Plane Through Horizontal Angles (0 - 180) (Through Max. Cd.)  
 2 - Horizontal Cone Through Vertical Angle (0) (Through Max. Cd.)

Model: CSEDO24-23RD/90T-27/65K8-ATW-120-2F-2H-SYM (Red Mode)

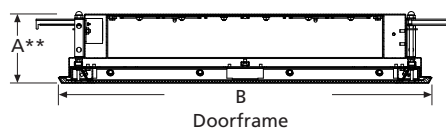


Maximum Candela = 469 Located At Horizontal Angle = 75, Vertical Angle = 2.5  
 1 - Vertical Plane Through Horizontal Angles (75-255) (Through Max. Cd.)  
 2 - Horizontal Cone Through Vertical Angle (2.5) (Through Max. Cd.)

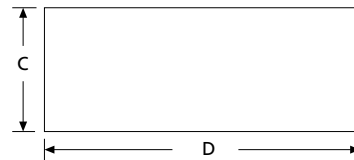
### DIMENSIONAL DATA



### CROSS SECTION



### CEILING CUTOUT



### DIMENSIONAL DATA (IN INCHES)

	A	B	C	D
1x4	4.43	11.94 x 47.94	10.85	46.85
2x2	4.43	23.94 x 23.94	22.85	22.85
2x4	4.43	23.94 x 47.94	22.85	46.85

\* Add .375" to ceiling cut out dimensions when IF Option is specified

\*\* Height is 5.875" with LEL option



www.kenall.com | P: 800-4-Kenall | F: 262-891-9701 | 10200 55th Street Kenosha, Wisconsin 53144, USA

A brand of **legrand**

This product complies with the Buy American Act: manufactured in the United States with more than 50% of the component cost of US origin. It may be covered by patents found at www.kenall.com/patents. Content of specification sheets is subject to change; please consult www.kenall.com for current product details. ©2019 Kenall Mfg. Co.