

MILLENNIUM FREESCALE™

FS512 SERIES

PRODUCT FEATURES:

- » Surface mount – wall or ceiling; 5"W×15"L×4"D
- » Marine grade aluminum baseplate
- » Round or Triangle 100% DR acrylic lens options with multiple lens frame styles
- » ADA Compliant
- » UL certified IP65 per IEC 60598



FS512R

FS512T

PROJECT INFORMATION

Job Name _____

Fixture Type _____

Catalog Number _____

Approved by _____

SPECIFICATIONS

BASEPLATE: Die-formed marine grade aluminum; welded corners. Provided with four-point mounting holes, one wireway hole. TGIC Polyester powder coat – 5-stage pre-treatment; Salt spray test: 1,000 hours.

REFLECTOR: Die-formed marine grade aluminum. Full reflector/wire cover – 92% reflectivity.

LENS: UV-stabilized, high impact resistant, pressure formed pearlescent 100% DR acrylic. Nominal thickness .125". Lens secured in place by lens frame and sealed to baseplate with closed cell silicone gasket.

LENS FRAME/CROSS BARS: Marine grade aluminum; secured to baseplate with tamper-resistant stainless steel Torx® with center pin fasteners. Cross bars nominal thickness .25". Post assembly TGIC polyester powder coat – 5-stage pre-treatment; Salt spray test: 1,000 hours. Optional perf insert 30% open, stainless steel.

HARDWARE: Four stainless steel Torx® T-20 with center pin fasteners. Internal brackets and fasteners are non-corrosive. Surface Conduit Adapter (SCA) accessory – stainless steel trim frame assembly with integral J-box; finished to match lens frame (not available with CA finish). Watertight conduit fittings supplied by others. Rough Service Adapter (RSA) accessory – stainless steel plate (adds .625" height) finished to match lens frame (not available with CA finish). Stainless steel fasteners provided for mounting fixture to RSA or SCA.

ELECTRICAL: Available 3500K, 4000K and 5000K color temperatures, 82 CRI. 120-277VAC, 50/60Hz electrical input with serviceable high power factor electronic, constant-current driver (<20% THD, >0.95 PF). Standard 0-10V dimming with 10-100% range, maximum driver source of 500 µA.

SENSOR & CONTROLS: Optional sensor available with compatible third party controls. To see the full list of compatible controls, [click here](#).

INSTALLATION: Standard four-point mounting required for Peace of Mind Guarantee®.

PHOTOMETRICS: Photometry tested to the IESNA LM-79-08 standard by an ILAC/ISO17025 accredited laboratory. For photometric information, go to www.kenall.com.

WARRANTY: Limited five (5) year LED warranty. [Peace of Mind Guarantee against breakage](#).

LISTINGS: UL and CUL listed for Wet Location. UL certified IP65 per IEC 60598. ADA compliant.

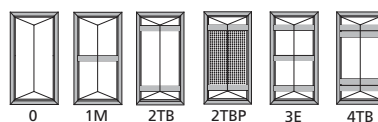


ORDERING INFORMATION (Ex: FS512R-1M-PIA-DB-12L40K-1-120-FS)

Model	Lens Frame	Lens Type	Finish	Lamp Type	Lamp Qty	Voltage	Options	Accessories
					1			
Model			Finish			Voltage		
FS512R 5"×12" Round			BR Bronze			120 120 Volts		
FS512T 5"×12" Triangle			CS Cool Satin Aluminum			277 277 Volts		
			DB Dark Bronze			DV 120-277 Volts		
Lens Frame			FG Forest Green				Options	
0 No Bars			LG Light Gray				FS Single Fuse & Holder	
1M One Bar – Middle			MB Matte Black				PH Phillips Head Fasteners	
2TB Two Bars – Top & Bottom			MW Matte White				PC Photo Control with deep housing surface adapter (n/a with DV)	
2TBP Two Horizontal Bars w/Perf			WS Warm Satin Aluminum					
3E Three Bars – Even Spaced			CC Custom Color (Consult factory)					
4TB Four Bars – Top & Bottom								
Lens Type			Lamp Type			Accessories		
PIA Pearlescent High Impact 100% DR Acrylic			12L35K 12 Watt 3500K LED			RSA▲ Rough Surface Adapter (not ADA compliant)		
MPA Matte Pearlescent High Impact 100% DR Acrylic			12L40K 12 Watt 4000K LED					
			12L50K 12 Watt 5000K LED					
			Lamp Quantity					
			1 One Lamp					

▲ n/a with option(s) that require deep housing surface adapter

LENS FRAME



www.kenall.com | P: 800-4-Kenall | F: 262-891-9701 | 10200 55th Street Kenosha, Wisconsin 53144, USA

A brand of **legrand**

This product complies with the Buy American Act: manufactured in the United States with more than 50% of the component cost of US origin. It may be covered by patents found at www.kenall.com/patents. Content of specification sheets is subject to change; please consult www.kenall.com for current product details. ©2022 Kenall Mfg. Co.

MILLENNIUM FREESCALE™

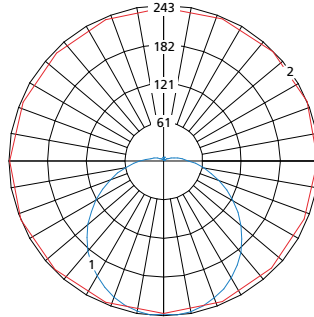
FS512 SERIES – Technical Data

PERFORMANCE

Lamp Type	Initial Delivered Lumens		Input Power (W)	Drive Current (mA)	Estd. L70 LED Life (Hrs)
	@ 25°C	Efficacy (lm/W)			
12L35K	967	67	14	94	80,000
12L40K	1031	74	14	94	80,000
12L50K	1072	77	14	94	80,000

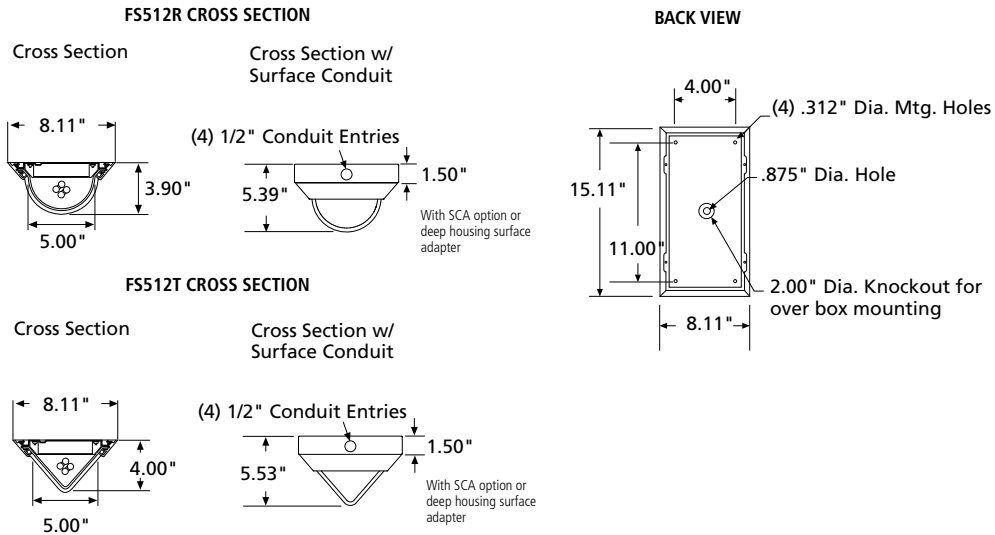
Displayed info is for PIA lens only. Infor subject to change. Visit www.kenall.com for IES files and additional information.

Model: FS512T-2TB-PIA-MW-12L40K-1-120



Maximum Candela = 243 Located At Horizontal Angle = 22.5, Vertical Angle = 5
 1 - Vertical Plane Through Horizontal Angles (22.5-202.5) (Through Max. Cd.)
 2 - Horizontal Cone Through Vertical Angle (5) (Through Max. Cd.)

DIMENSIONAL DATA



www.kenall.com | P: 800-4-Kenall | F: 262-891-9701 | 10200 55th Street Kenosha, Wisconsin 53144, USA

A brand of **legrand**

This product complies with the Buy American Act: manufactured in the United States with more than 50% of the component cost of US origin. It may be covered by patents found at www.kenall.com/patents. Content of specification sheets is subject to change; please consult www.kenall.com for current product details. ©2022 Kenall Mfg. Co.