

MEDMASTER® Luminaire for Patient Room Applications

MPH SERIES

PRODUCT FEATURES:

- » Bi-directional (up/down) illumination in a wall-mounted luminaire
- » Multi-function capability, providing Ambient and Examination lighting
- » Thin profile constructed of die-cast and extruded aluminum
- » Uniform light distribution via diffused DR acrylic lenses
- » High-output, high-CRI LED lamp sources



PROJECT INFORMATION

Job Name _____
 Fixture Type _____
 Catalog Number _____
 Approved by _____

SPECIFICATIONS

HOUSING: Extruded 6063-T5 aluminum construction with die-cast aluminum end caps. Standard low-gloss anti-microbial white TGIC polyester powder-coat finish with five-stage pre-treatment. See optional finish selections. Formed 14-gauge CRS baseplate secures the housing assembly to the mounting surface.

OPTIC: Diffused impact-resistant lenses for up-light and down-light lamping. Isolated optical compartments prevent light-bleed between lamping functions.

LED MODULE: Mid-power LED array. Minimum 82 CRI standard (R9 >20). See Ordering Information for available color temperature options. Maximum 3-step MacAdam variation allowance.

LED DRIVER: 120-277VAC or 347VAC, 50/60Hz electrical input with serviceable constant-current driver (<10% THD, >0.90PF). Minimum 85% driver efficiency. Standard 0-10V dimming with 1-100% range and dim-to-dark capabilities (non dim-to-dark with 347V); maximum 330 µA maximum source current. Optional 0-10V dimming with 0.1%-100% range and dim-to-dark capabilities via eldoLED SOLOdrive series driver (n/a 347V input; ≤0.5V required from dimming control for dim-to-dark operation; 400µA max. source current). Optional eldoLED ECOdrive DALI drivers with 1-100% range. Optional Dual Circuit power and control wiring provides the ability to independently switch the up- and down-lighting functions. Standard configuration is for Single Circuit power and control wiring.

CONTROLS: Optional integral low-voltage controller with and without dimming (LVCD and LVC, respectively) capability through a compatible wall, bed or pillow speaker controller. When ordered in conjunction with the night light option, the low-voltage controller powers and controls the night light. Refer to hyperlinks within the Ordering Information for further details. See 'Accessories' for available low-voltage wall control switches.

INSTALLATION: Surface wall-mount installation over a recessed junction box. Internal mounting holes (hardware provided by others). Housing assembly attaches to baseplate via recessed internal hex set screws. Suitable for 0°C to 25°C ambient temperature environments.

PHOTOMETRICS: Photometry tested to the IESNA LM-79-08 standard by an ILAC/ISO17025 accredited laboratory. For additional photometric data, please go to www.kenall.com.

WARRANTY: Limited five (5) year warranty.

LISTINGS/CERTIFICATIONS: Luminaire is certified to UL Standards by Intertek Testing Laboratory for Damp Location installations. Dust-tight to IP6x per IEC 60598 standard. NSF2 Splash/Non-Food Zone.



ORDERING INFORMATION (Ex: MPH-24-MW-23/23L-40K8-DIM1-S-DV)

Model	Length	Finish	Lamp Power	Lamp Color	Driver Type	Lamp Controls	Voltage	Options
MPH								
Nominal Length			Lamp Color			Input Voltage		
24	24" Nominal		30K9	3000K / 90CRI min.		DV	120-277VAC, 50/60Hz	
36	36" Nominal		35K8	3500K / 82CRI min.		347	347VAC, 60Hz (DIM1 only)	
48	48" Nominal		35K9	3500K / 90CRI min.				
			40K8	4000K / 82CRI min.				
			40K9	4000K / 90CRI min.				
Finish			Driver Type			Options		
MW	Anti-Microbial Matte White		DIM1	0-10V Dimming to 1%		LEL	Integral 6W Emergency Battery Backup (n/a 347V and 24")	
WS	Warm Satin Painted Anodized		DIM01	0-10V Dimming to 0.1%		FS	Fuse	
CS	Cool Satin Painted Anodized		DALI	DALI dimming to 1%		NLW	2700K White LED Night Light (n/a 347V)	
BR	Bronze					NLA	Amber LED Night Light (n/a 347V)	
BE	Beige					LVC*	Low-Voltage Controller (Click here for specifications)	
						LVCD*	Low-Voltage Controller w/Dimming (Click here for specifications)	
Lamp Power			Lamp Control			^ Not available with 46/46L		
23/23L	23W LED Up / 23W LED Down (24")		S^	Single Circuit Power and Control Wiring (Lamping Operates Together)		* DIM1 and DIM01 only, n/a 347V		
25/25L	25W LED Up / 25W LED Down (36")		D	Dual Circuit Power and Control Wiring (Lamping Operates Individually)				
34/34L	34W LED Up / 34W LED Down (36")							
34/34L	34W LED Up / 34W LED Down (48")							
46/46L	46W LED Up / 46W LED Down (48")							

ACCESSORIES ORDERED SEPARATELY

MPWS Low Voltage Wall Switch (Click [here](#) for Specifications)



www.kenall.com | P: 800-4-Kenall | F: 262-891-9701 | 10200 55th Street Kenosha, Wisconsin 53144, USA

This product complies with the Buy American Act: manufactured in the United States with more than 50% of the component cost of US origin. It may be covered by patents found at www.kenall.com/patents. Content of specification sheets is subject to change; please consult www.kenall.com for current product details. ©2022 Kenall Mfg. Co.

A brand of **legrand**

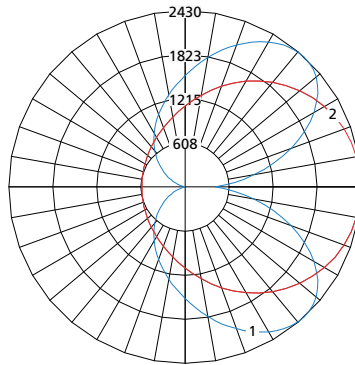
MPH SERIES

PERFORMANCE

Length	Lamp Power	Orientation	Initial Delivered Lumens, by CCT (lm)						Efficacy (lm/W)	Input Power (W)	Estd. L70 LED Life (Hrs)
			30K8	30K9	35K8	35K9	40K8	40K9			
24	23/23L	Up Only	2,586	2,028	2,624	2,075	2,697	2,229	80 - 106	25	80,000
		Down Only	2,549	1,999	2,586	2,046	2,658	2,197	79 - 105	25	
		Up & Down	5,102	4,001	5,177	4,094	5,320	4,397	79 - 106	50	
36	25/25L	Up Only	2,931	2,299	2,974	2,352	3,057	2,526	86 - 114	27	95,000
		Down Only	2,889	2,266	2,931	2,318	3,013	2,490	85 - 113	27	
		Up & Down	5,783	4,534	5,867	4,640	6,030	4,984	86 - 114	53	
	34/34L	Up Only	3,863	3,029	3,919	3,100	4,028	3,329	84 - 112	36	80,000
		Down Only	3,807	2,986	3,863	3,055	3,970	3,281	83 - 111	36	
		Up & Down	7,621	5,976	7,732	6,115	7,946	6,568	84 - 112	71	
48	34/34L	Up Only	4,146	3,251	4,207	3,327	4,323	3,573	89 - 119	36	95,000
		Down Only	4,086	3,204	4,146	3,279	4,261	3,522	88 - 117	36	
		Up & Down	8,179	6,413	8,298	6,563	8,529	7,049	89 - 118	72	
	46/46L	Up Only	5,507	4,318	5,587	4,418	5,742	4,746	88 - 117	49	80,000
		Down Only	5,427	4,256	5,507	4,355	5,660	4,678	87 - 116	49	
		Up & Down	10,863	8,518	11,021	8,716	11,327	9,362	88 - 116	97	
All	NLW	Down Only	46						n/a	1	100,000
	NLA		36							1	100,000

Information subject to change without notice. Visit www.kenall.com for IES files and additional information.

Model: MPH-48-MW-46/46L-40K8-DIM1-DV



Maximum Candela = 2430 Located At Horizontal Angle = 0, Vertical Angle = 42.5

- 1 - Vertical Plane Through Horizontal Angles (0-180) (Through Max. Cd.)
- 2 - Horizontal Cone Through Vertical Angle (42.5) (Through Max. Cd.)



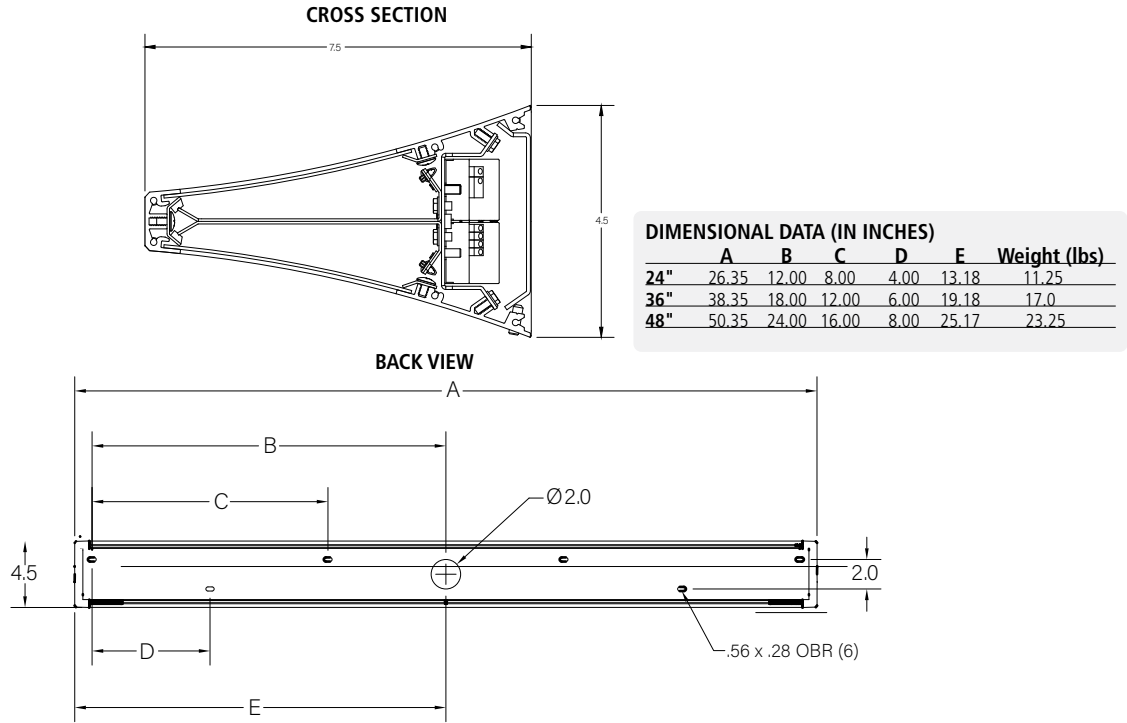
www.kenall.com | P: 800-4-Kenall | F: 262-891-9701 | 10200 55th Street Kenosha, Wisconsin 53144, USA

A brand of **legrand**

This product complies with the Buy American Act: manufactured in the United States with more than 50% of the component cost of US origin. It may be covered by patents found at www.kenall.com/patents. Content of specification sheets is subject to change; please consult www.kenall.com for current product details. ©2022 Kenall Mfg. Co.

MEDMASTER™
 Patient Room Wall Mounted Luminaire
MPH SERIES

DIMENSIONAL DATA



www.kenall.com | P: 800-4-Kenall | F: 262-891-9701 | 10200 55th Street Kenosha, Wisconsin 53144, USA

A brand of **legrand**

This product complies with the Buy American Act: manufactured in the United States with more than 50% of the component cost of US origin. It may be covered by patents found at www.kenall.com/patents. Content of specification sheets is subject to change; please consult www.kenall.com for current product details. ©2022 Kenall Mfg. Co.