

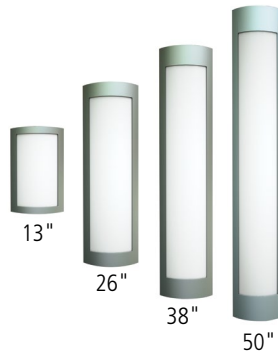
MEDMASTER AURACYL™ SCONCE

MRI/Imaging Suite Luminaires

MRIMAS8 SERIES

PRODUCT FEATURES:

- » Surface wall mount – 8"×13", 8"×26", 8"×38" & 8"×50"
- » Non-ferrous marine-grade extruded aluminum construction
- » Sealed backlighting creates a pleasing visual accent and NSF2 listing
- » Standard antimicrobial finish for cleanability



PROJECT INFORMATION

Job Name _____

Fixture Type _____

Catalog Number _____

Approved by _____

SPECIFICATIONS

HOUSING: Non-ferrous marine grade extruded aluminum. Non-ferrous marine grade die-cast aluminum end caps. TGIC polyester powder coat finish – 5-stage pre-treatment; Salt spray test: 1,000 hours. Antimicrobial finish on all exposed components of installed luminaire.

REFLECTOR: Die-formed non-ferrous marine grade aluminum. Full reflector/wire cover – 92% reflectivity.

DECORATIVE OUTER LENS: Acrylic translucent white lens standard. Nominal thickness .125". Optional decorative Lumicor® resins – see Ordering Information.

INNER LENS: UV-stabilized, high impact resistant, extruded 100% DR/acrylic frost lens. Nominal thickness .100". Lens secured in place by lens frame.

ELECTRICAL: Replaceable high-brightness ANSI 3000K or 4000K LED array. Luminaire input 24VDC from remote-located 120-277VAC, high-power-factor power supply with EMI filter. Dimming line EMI filter required if utilizing dimming function. Dimming capability controlled through compatible 0-10V dimmer (supplied by others). 10%-100% dimming range. See below for ordering information.

HARDWARE: One non-ferrous stainless steel Phillips-head fastener standard; four fasteners with IP64 option for MRIMAS813 and MRIMAS826; six fasteners for MRIMAS838 and MRIMAS850. Internal brackets and fasteners are non-ferrous and non-corrosive.

INSTALLATION: Standard four-point mounting required on MRIMAS813 and MRIMAS826. Standard six-point mounting on MRIMAS838 and MRIMAS850. All power and signal wiring must be completely shielded in grounded conduit.

PHOTOMETRICS: Photometry tested to the IESNA LM-79-08 standard by an ILAC/ISO17025 accredited laboratory. For photometric information, go to www.kenall.com

WARRANTY: Limited five (5) year LED warranty.

LISTINGS: Luminaire is certified to UL1598 and UL8750 standards by Intertek Testing Services for Damp Location – covered ceiling and wall mount. MRIMAS813 is also UL and CUL listed. NSF2 Splash/Non-Food Zone. ADA compliant. Optional ETL certified IP64 per IEC 60598.



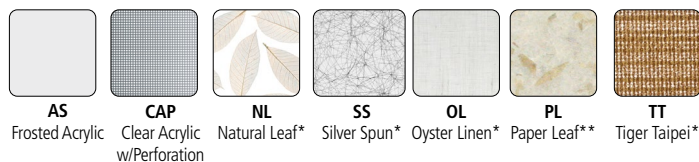
ORDERING INFORMATION (Ex: MRIMAS826-PAN-AS-MB-1-24VDC-19L30K)

Model	Frame Type	Outer Lens	Finish	Lamp Qty	Lamp Type	Voltage	Options
	PAN			1			
Model			Finish		Lamp Type	Voltage	
MRIMAS813	8"×13"		MB• Matte Black		MRIMAS813	24VDC 24 Volts DC	
MRIMAS826	8"×26"		MW• Matte White		6L30K 6 Watt 3000K LED		Option
MRIMAS838	8"×38"		WS Warm Satin Painted Anodized		6L40K 6 Watt 4000K LED		IP64 IP64 certified to IEC 60598
MRIMAS850	8"×50"		CS Cool Satin Painted Anodized		14L30K 14 Watt 3000K LED		* Lumicor® Lumiclear™ Acrylic Resin
			BR Bronze		14L40K 14 Watt 4000K LED		** Lumicor® Lumiform™ PETG Resin
Frame Type			DB Dark Bronze		MRIMAS826		• Antimicrobial finish
PAN Pane			BE Beige		19L30K 19 Watt 3000K LED		
			CC Custom Color (Consult factory)		19L40K 19 Watt 4000K LED		
Decorative Outer Lens			Lamp Quantity		MRIMAS838		
AS Frosted Acrylic			1 One Lamp		25L30K 25 Watt 3000K LED		
CAP Clear Acrylic w/Inner Perforation painted to match housing/frame finish					25L40K 25 Watt 4000K LED		
NL* Acrylic Natural Leaf					MRIMAS850		
SS* Acrylic Silver Spun					32L30K 32 Watt 3000K LED		
OL* Acrylic Oyster Linen					32L40K 32 Watt 4000K LED		
PL** PETG Paper Leaf							
TT* Acrylic Tiger Taipei							

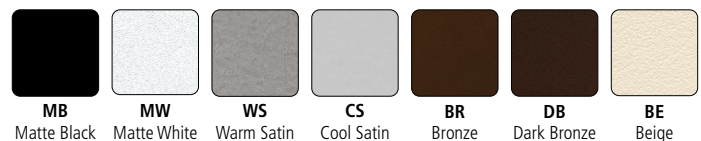
ACCESSORIES ORDERED SEPERATELY

- MRIPSF Remote Power Supply with EMI Filter ([click here for specifications](#))
- MRIFD-1A Dimming Filter (one per dimming circuit, [click here for specifications](#))

DECORATIVE OUTER LENS



FRAME FINISH



Lumicor® is a registered trademark of Lumicor, Inc., the leader in encapsulated resin technology. All Rights Reserved.



www.kenall.com | P: 800-4-Kenall | F: 262-891-9701 | 10200 55th Street Kenosha, Wisconsin 53144, USA

A brand of **legrand**

This product complies with the Buy American Act: manufactured in the United States with more than 50% of the component cost of US origin. It may be covered by patents found at www.kenall.com/patents. Content of specification sheets is subject to change; please consult www.kenall.com for current product details. ©2022 Kenall Mfg. Co.

MEDMASTER AURACYL™ SCNCE

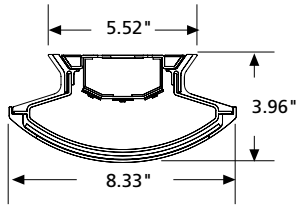
MRI/Imaging Suite Luminaires

MRIMAS8 SERIES

MRI LUMINAIRE CONNECTION PER POWER SUPPLY

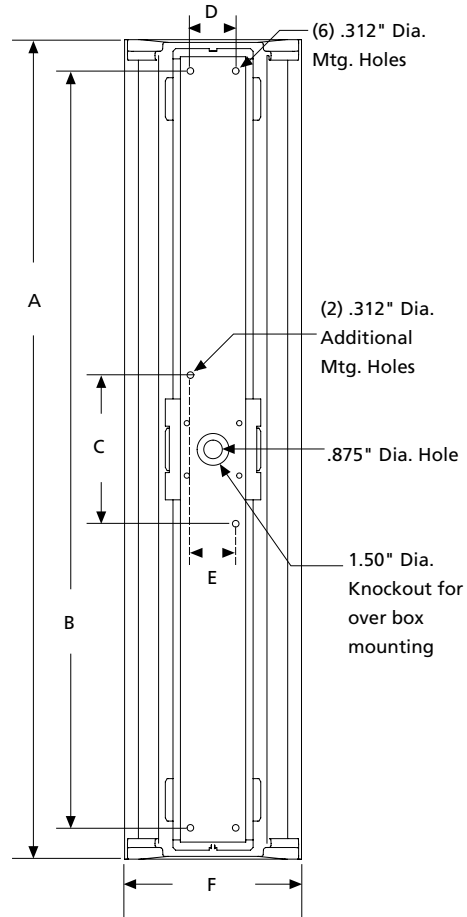
Luminaire Number	Lamp Power	Amps/ Luminaire	Max Luminaires per MRIPSE-480 Power Supply	Max Luminaires per MRIPSE-240 Power Supply	Max Luminaires per MRIPSE-120 Power Supply
MRIMAS813	6L	0.41	48	24	12
MRIMAS813	14L	0.76	26	13	6
MRIMAS826	19L	1.17	17	8	4
MRIMAS838	25L	1.52	13	6	3
MRIMAS850	32L	1.93	10	5	2

DIMENSIONAL DATA



DIMENSIONAL DATA (IN INCHES) CROSS VIEW

	A	B	C	D	E	F
13"	13.00	10.10	n/a	2.14	n/a	8.31
26"	26.60	23.70	n/a	2.14	n/a	8.31
38"	38.59	35.65	7.00	2.14	2.14	8.31
50"	50.55	47.64	8.00	2.14	2.14	8.31



MRIMAS SERIES

IMPORTANT SAFEGUARDS

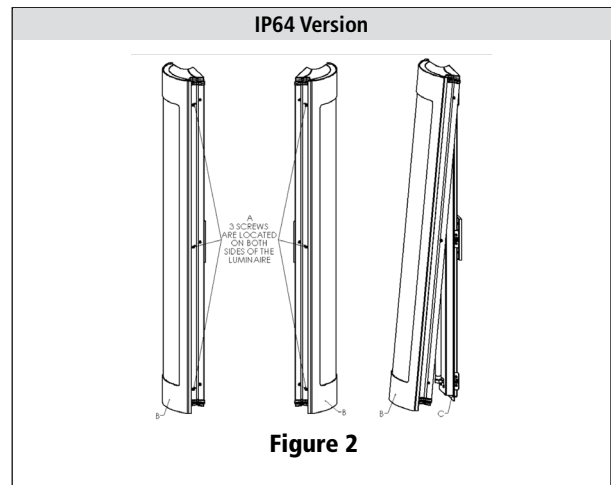
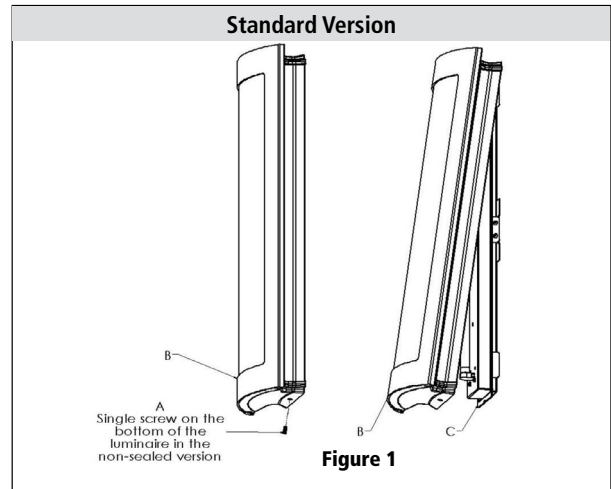
When using electrical equipment, basic safety precautions should always be followed, including the following:

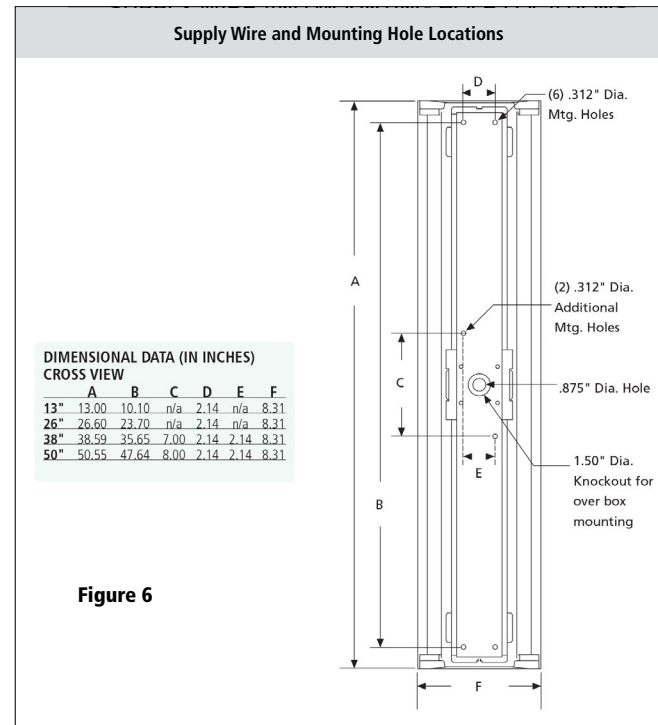
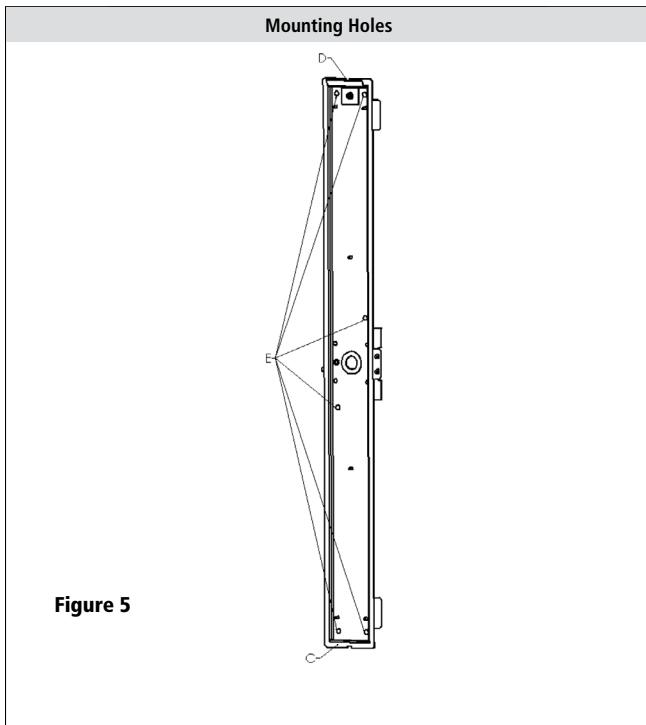
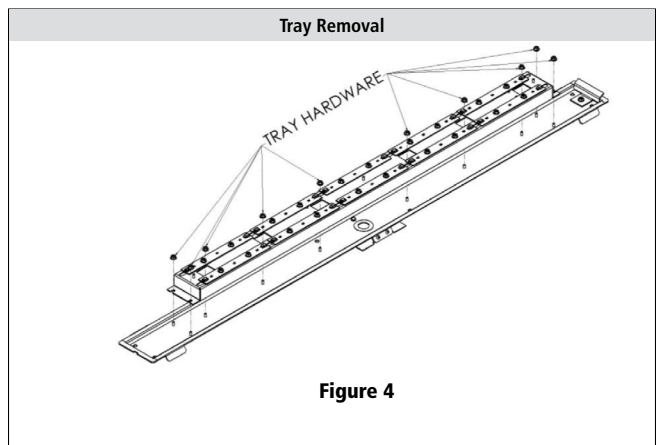
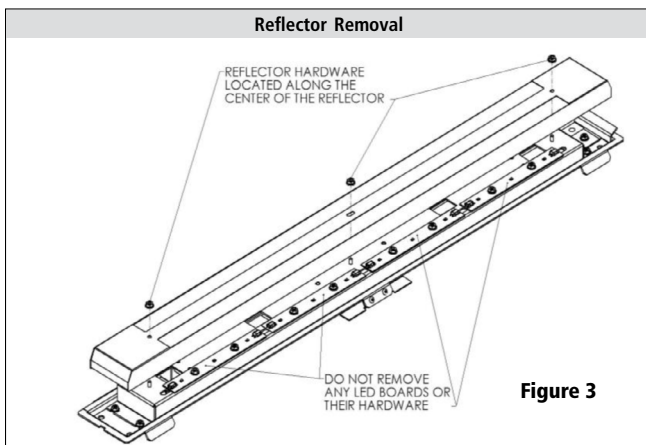
THIS PRODUCT MUST BE INSTALLED IN ACCORDANCE WITH THE APPLICABLE INSTALLATION CODE BY A PERSON FAMILIAR WITH THE CONSTRUCTION AND OPERATION OF THE PRODUCT AND THE HAZARDS INVOLVED. DISCONNECT POWER TO ALL CIRCUITS BEFORE WIRING FIXTURE. INSTALL IN ACCORDANCE WITH ALL NATIONAL, STATE, AND LOCAL CODES. DO NOT CONNECT TO AN UNGROUNDED SUPPLY. READ ALL FIXTURE MARKINGS AND LABELS TO ENSURE CORRECT INSTALLATION OF FIXTURE. SUPPLEMENTAL INSTRUCTIONS MAY BE LOCATED ON THE FIXTURE, IN ADDITION TO THIS INSTRUCTION SHEET, REGARDING ORIENTATION, OR MOUNTING RESTRICTIONS.

SAVE THESE INSTRUCTIONS

This instruction sheet applies for the MRI MedMaster™ Auracyl Sconce MRIMAS Series. A separate instruction sheet is provided in the MRIPSF external power supply system. Both sheets are intended to provide comprehensive instructions on fixture installation and wiring. The MRI MedMaster™ Sconce lighting system contains sensitive electronics. Take care to avoid damage by improper handling or static electricity discharge (ESD). Either type of damage could render the system inoperable or cause latent failure.

1. Remove the screw(s) from the luminaire and unhook front housing (B) from the baseplate assembly (C).
2. Remove the reflector / wireway to expose the mounting holes. See illustration on page 2. NOTE: DO NOT remove the LED boards.
3. Remove LED tray from the baseplate (C), this will expose the supply wire hole. See illustration on page 2. NOTE: DO NOT remove the LED boards.
4. Remove 1.50" knockout in the center of the baseplate (C).
5. Use the baseplate (C) as a template and mark the pilot holes (E) on the mount surface. Orient the baseplate (C) with the angle bracket hook (D) at the top.
6. IP64 version only: To ensure wet location rating, apply square gasket (supplied) around wire access opening and four round gaskets (supplied) on the wall side of the baseplate.
7. Disconnect facility power to the electric power supply leads.
8. Mount the baseplate.





Electrical Connection

- Mount and wire the MRIPSF external power supply system per the procedures provided in the supplementary instruction sheet. Run conduit and DC wiring to an MRI room EMI filter. Make sure wiring is completely enclosed in grounded aluminum conduit. Any gaps, regardless of size, must be closed or wrapped in copper foil tape.
- If a 0-10V dimming circuit is to be connected, install at this time. The 0-10V dimmer must be installed outside the shielded MRI environment with the Kenall MRIFD-1A dimming line filter (or equivalent) installed in accordance with the supplied installation instructions. Kenall recommends the Lutron Diva (DVSTV) and Lutron Nova T (NTSTV-DV) series to ensure the full range of dimming can be achieved. Contact Kenall for suitability in using an alternate sink-type 0-10V dimmer. Reattach the reflector / wireway with the screws that were removed in step 3.

WARNING: All DC power and dimming signal wiring must be run through separate EMI filters.

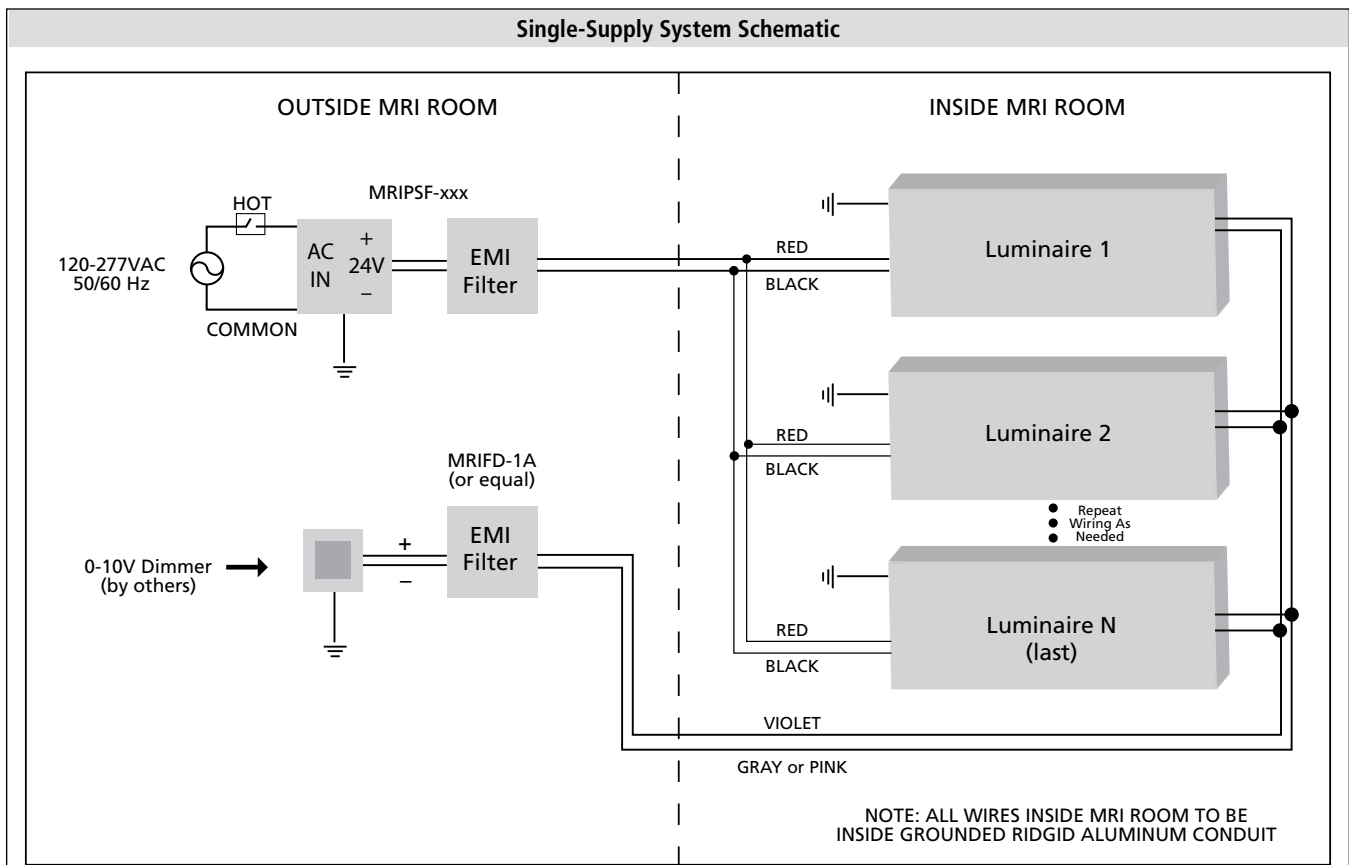
- After the luminaires are mounted and secured, access the internal junction box to gain access to supply connections. Each wire is labeled and color coded for easy identification.



www.kenall.com | P: 800-4-Kenall | F: 262-891-9701 | 10200 55th Street Kenosha, Wisconsin 53144, USA

A brand of **legrand**

This product complies with the Buy American Act: manufactured in the United States with more than 50% of the component cost of US origin. It may be covered by patents found at www.kenall.com/patents. Content of specification sheets is subject to change; please consult www.kenall.com for current product details. ©2022 Kenall Mfg. Co.



12. Run DC supply wiring, equal in size and temperature rating to the filter input wiring, between the filter output cables and the first luminaire within the shielded room. Follow recommended wiring layout described within Single-Supply System Schematic. All wiring must be within completely-enclosed, grounded conduit suitable for an MRI environment. Any gaps, regardless of size, must be closed or wrapped in copper foil tape. Special attention should be paid to the wiring entry point into the shielded space. Class 1 wiring methods are required.
13. Run the dimming signal wiring, equal in specification to the filter input wiring, between the filter output cables and the first luminaire within the shielded room. Maintain polarity between input and output sides of the filter and follow wiring recommendation in Multi-Fixture Wiring Schematic. All wiring must be within completely enclosed, grounded conduit suitable for an MRI environment. Any gaps, regardless of size, must be closed or wrapped in copper foil tape. Special attention should be paid to the wiring entry point into the shielded space. Cap gray (or pink) and violet leads at luminaire(s) if dimming function is not implemented.
14. Make DC supply and (optional) dimmer control connections within each luminaire.
15. Reinstall all provided bracketry and internal enclosures provided with the luminaire. These parts are critical to the overall EMI shielding of the system.
16. Connect power to external power supply and test for proper operation of lighting system. Make sure all LEDs are lit and dimming operation works as intended (if connected).
17. Test operation of lighting during MRI machine idle mode and during scanning operations.
18. Fill out the Installation Registration Form and fax to Kenall at (262) 891-9701.



Multi-Fixture System Schematic

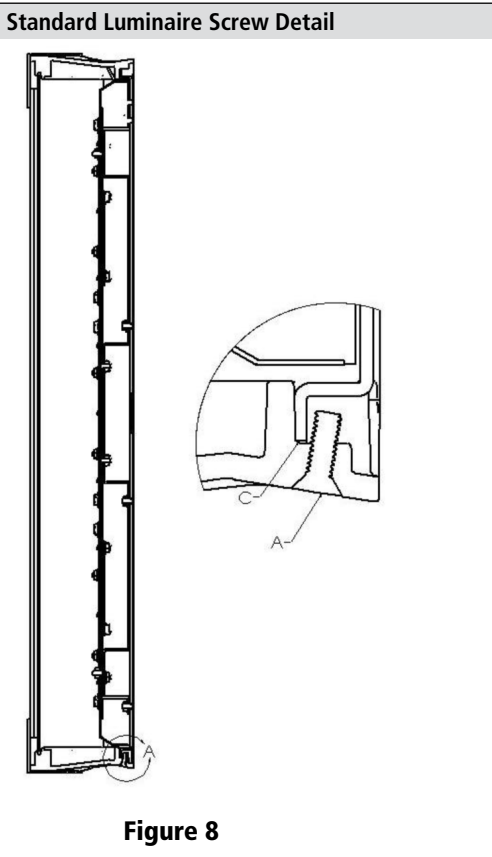
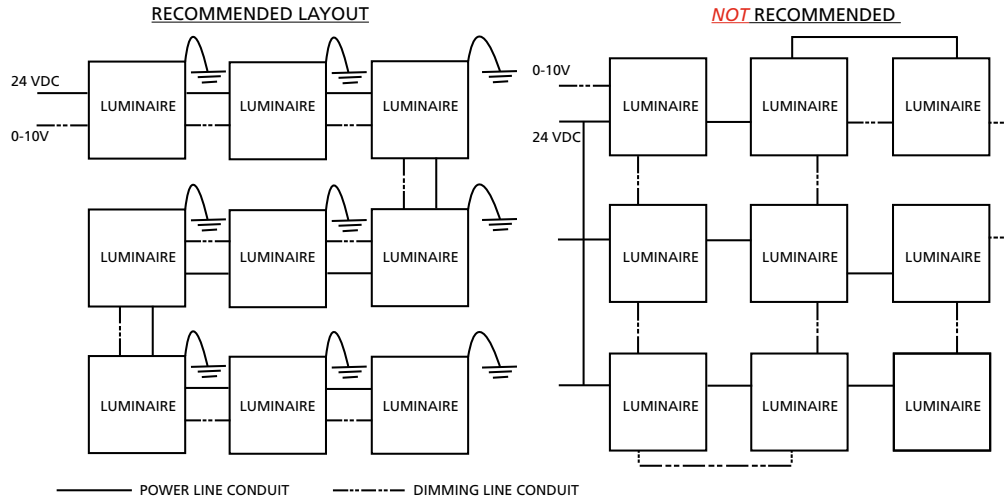


Figure 8

Conclusion of Luminaire Mounting Procedure

19. Reattach the LED tray (F) to the baseplate (C).
20. Reattach the reflector/wireway with the screws that were removed in step 3.
21. Hook the front housing (B) onto the angle bracket hook (D) shown in Figure 8.
22. Replace the screw(s) removed in step 1. NOTE: Do not push on the outer lens when mounting the front housing.
23. Standard luminaire only: Check to make sure the housing is locked in place. This is achieved when screw (A) is behind the baseplate flange (C). NOTE: Do not push on outer lens when mounting the front housing.

CUSTOMER SERVICE

For technical assistance, call 1-800-4KENALL (1-800-453-6255).

WARRANTY

For warranty information visit www.kenall.com/Resources/Certified-Performance-Warranties



www.kenall.com | P: 800-4-Kenall | F: 262-891-9701 | 10200 55th Street Kenosha, Wisconsin 53144, USA

A brand of **legrand**

This product complies with the Buy American Act: manufactured in the United States with more than 50% of the component cost of US origin. It may be covered by patents found at www.kenall.com/patents. Content of specification sheets is subject to change; please consult www.kenall.com for current product details. ©2022 Kenall Mfg. Co.

CUSTOMER ACKNOWLEDGEMENT

Customer acknowledges that these Installation Instructions are part of the product specification, and that the attached Installation Registration Form will be provided to the installer to sign and return to Kenall after installation is complete. This signed release is required by Kenall before order will be released into production.

Signature: _____

Date: _____

Print Name: _____

Company Name: _____

IMPORTANT SAFEGUARDS

To prevent MRI machine interference, all DC power and dimming signal wiring must be completely shielded within grounded aluminum conduit and a suitable MRI room EMI filter must be installed on each line.

When using electrical equipment, basic safety precautions should always be followed, including the following:
THIS PRODUCT MUST BE INSTALLED IN ACCORDANCE WITH THE APPLICABLE INSTALLATION CODE BY A PERSON FAMILIAR WITH THE CONSTRUCTION AND OPERATION OF THE PRODUCT AND THE HAZARDS INVOLVED.

SAVE THESE INSTRUCTIONS

-
- Disconnect power to all circuits before wiring system.
 - Install in accordance with all national, state, and local codes.
 - Do not connect to an ungrounded supply.
 - Wiring connections must be made internal to the enclosure.
 - Failure to install unit on a mechanically-sound surface may result in personal injury, physical damage, or potential fire hazard.
 - Use installation procedures appropriate for an environment involving MRI and sensitive electronic equipment.
 - Read all markings and labels to ensure correct installation of the power supply. Supplemental instructions may be located on the enclosure, in addition to this instruction sheet, regarding orientation, or mounting restrictions.
 - Read instructions provided with the MedMaster™ MRIPSF remote power supply and DC filter system for proper installation and electrical connection to the lighting system.



CUSTOMER ACKNOWLEDGEMENT

MRI INSTALLATION REGISTRATION FORM

Customer acknowledges that the attached Installation Registration Form will be provided to the installer to sign and return to Kenall after installation is complete. For warranty purposes, please fill out this form and return to Kenall by fax at (262) 891-9701.

I certify that the lighting installation for the listed MRI suite location is completed per the provided installation instructions and to the best of my abilities.

Please check off items to denote status:

- Installation instruction sheets for MRIPSF remote power supply and DC filter system and individual luminaire(s) read and followed.
- MRIPSF power supply and EMI filters are located outside the shielded enclosure.
- All DC supply wiring is completely enclosed within grounded aluminum conduit. Installation has no ungrounded/unshielded portions of conduit or openings of any size or shape.
- All dimming signal wiring is completely enclosed within grounded aluminum conduit. Installation has no ungrounded/unshielded portions of conduit or openings of any size or shape. Check here if dimming is not applicable:
- MRI Room EMI filters for the 24VDC supply and dimming signal are of the type intended for MRI suites and are sized to the electrical load.
- DC supply power and dimming signal are NOT running through the same EMI filter. Check here if dimming is not applicable:
- Lighting system fully tested (including dimming operation, if applicable) while MRI machine is in idle and scan operation mode.

If any of these steps cannot be completed or you need technical assistance, please contact Kenall Technical Support at 1-800-4KENALL (1-800-453-6255).

Electrical Contractor

Installation Site

Name: _____

Name: _____

City/State: _____

City/State: _____

Phone: _____

FAX FORM TO (262) 891-9701

Installation Date: _____

(Do not write below line)

Kenall Received By: _____ Received Date: _____



www.kenall.com | P: 800-4-Kenall | F: 262-891-9701 | 10200 55th Street Kenosha, Wisconsin 53144, USA

A brand of Legrand

This product complies with the Buy American Act: manufactured in the United States with more than 50% of the component cost of US origin. It may be covered by patents found at www.kenall.com/patents. Content of specification sheets is subject to change; please consult www.kenall.com for current product details. ©2022 Kenall Mfg. Co.

MRIMAS8_13_26_38_50-042122