

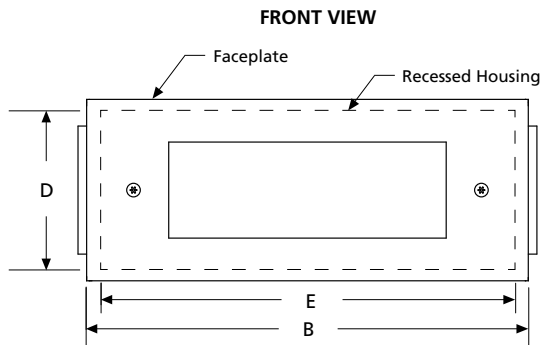
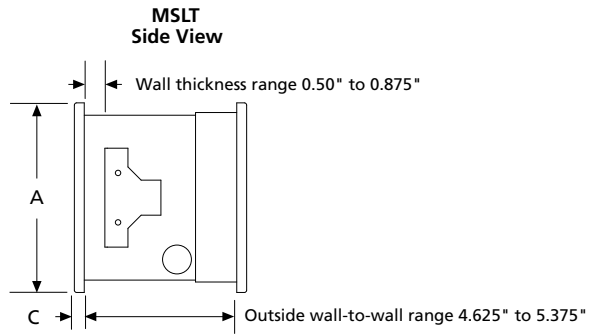
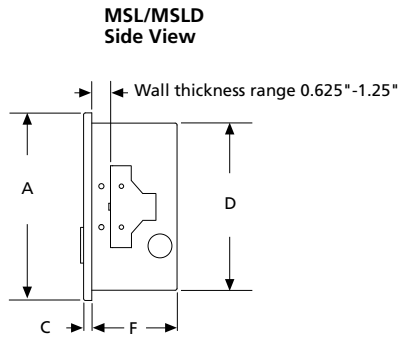


# MEDMASTER SOFTSTEP™ STEPLIGHTS

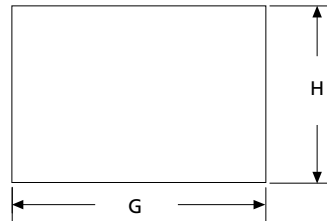
## Patient Room Steplight

### MSL SERIES – FABRICATED

#### DIMENSIONAL DATA



#### RECOMMENDED HOLE CUTOUT



#### DIMENSIONAL DATA (IN INCHES)

	A	B	C	D	E	F	G	H
<b>MSL</b>	4.25	10.35	0.30	3.50	8.75	3.12	9.25	3.75
<b>MSLT</b>	5.75	10.35	0.30	5.00	8.93	*	9.25	5.25
<b>MSLD</b>	7.00	10.35	0.30	6.25	8.75	3.12	9.25	6.50

\*Outside wall to wall range 4.625" - 5.375"

