

LUXTRAN NARROW SPECTRUM

Luminaires for Transportation Applications

TDL SERIES

PRODUCT FEATURES:

- » 6" sealed, recessed downlight with flush lens trim
- » Corrosion-resistant frame and trim construction
- » Peace of Mind Guarantee® against breakage
- » Native 590nm Amber LED for spectrally sensitive applications requiring robust construction such as coastal or skyglow restricted areas
- » Blue light option for public safety applications
- » 1% Dimming via 0-10V control



470nm (Blue)



590nm (Native Amber)

SPECIFICATIONS

HEAT SINK: Die-cast aluminum with external radial fins for natural convection.

ROUGH-IN FRAME: 18-gauge die-formed, type 304 stainless steel construction. Vertically adjustable collar accommodates ceiling thicknesses up to 2", adjustable post-installation. Universal mounting brackets accept 3/4" and 1-1/2" lathers channel, 1/2" EMT conduit and hanger bars. Quick-access junction box accessible post-installation from above and below ceiling. Includes (4) 1/2" and (2) 3/4" knock-outs to allow straight conduit runs. Listed for (8) 12AWG, 90°C conductors and feed-thru branch wiring. Provided with FMC with electrical quick-connect to Trim Section.

TRIM/HOUSING SECTION: IP-rated housing section incorporates the heat sink, LED module, optics and stainless steel lower trim. Lens trim secured with four (4) Torx® tamper-resistant, captive fasteners. See trim ordering information for available options.

OPTICAL: Diffused tempered glass upper lens. No light filtering elements.. Available with various reflector distribution patterns and finishes. Flush lens trim options include a clear lens. See distribution and reflector finish ordering information for available options.

ELECTRICAL: Native 590nm Amber or 470nm Blue LED source. Narrow bandwidth native sources provide optimal control over spectral emissions. 120-277VAC or 347VAC, 50/60Hz electrical input with serviceable constant current driver (<20% THD, >0.90 PF). Minimum 85% driver efficiency. Standard 0-10V dimming with 1-100% range and dim-to-dark capabilities (non dim-to-dark with 347V); 165µA maximum source current.

PHOTOMETRICS: Photometry tested to the IESNA LM-79-08 standard by an ILAC/ISO17025 accredited laboratory. For photometric information, go to www.kenall.com.

WARRANTY: Limited three (3) year LED warranty. Peace of Mind Guarantee against breakage.

INSTALLATION: Suitable for ambient temperature temperatures of -30°C to +40°C, unless otherwise noted.

LISTINGS: Luminaire is certified to UL standards by Intertek Testing Laboratory for non-IC and Wet Location installations. IP65 rating per IEC60598.



ORDERING INFORMATION (EX: TDL6-FF-5BR-12NA-W-CSS-G-RIT6-DV-DIM1)

TRIM

Model	Trim Style	Trim Finish	Lamp Power	Distribution	Reflector Finish	Flush Lens Type
TDL6	FF					
Trim Style			Distribution			
FF	Flush Lens (With Fasteners - IP65)		M	Medium	W	Wide
Trim Finish			Reflector Finish			
5BR	Type 304 Stainless Steel with 4B Brushed Finish		FW	Flat White	CS	Clear Specular
XBR	Type 316 Stainless Steel with 4B Brushed Finish		CSS	Clear Semi-Specular		
5FW	Type 304 Stainless Steel in Flat White					
XFW	Type 316 Stainless Steel in Flat White					
Lamp Power / Color			Flush Lens Type			
12NA	12 Watt 590nm Native Amber LED		T	1/8" Clear High-Impact Acrylic		
18BL	18 Watt 470nm Native Blue LED		G	1/8" Clear Polycarbonate		

ROUGH-IN

Rough-In	Input Voltage	Driver Type	Options
RIT6		DIM1	
Rough-In			
RIT6	6" Transportation Rough-In		
Input Voltage			
DV	120-277V, 50/60Hz		
347	347VAC, 60Hz		
Driver Type			
DIM1	0-10V Dimming to 1%		
Options			
LEL	7W Emergency Battery Backup with Remote Test Switch (0°C min. ambient, n/a with 347V)		
FS	Fuse & Holder		



LUXTRAN NARROW SPECTRUM

Luminaires for Transportation Applications

TDL SERIES

PERFORMANCE

Trim Style	Optic			Lamp Code	Lamp Color	Initial Delivered Lumens	Input Power (W)	Estd. L70 LED Life (hrs)
	Distribution	Reflector Finish	Lens Type					
FF	M	CS	T	12NA	590nm Native Amber	235	15	36,000
				18BL	470nm Blue	283	21	60,000
			G	12NA	590nm Native Amber	228	15	36,000
				18BL	470nm Blue	275	21	60,000
		CSS	T	12NA	590nm Native Amber	220	15	36,000
				18BL	470nm Blue	266	21	60,000
			G	12NA	590nm Native Amber	214	15	36,000
				18BL	470nm Blue	258	21	60,000
		FW	T	12NA	590nm Native Amber	218	15	36,000
				18BL	470nm Blue	262	21	60,000
			G	12NA	590nm Native Amber	212	15	36,000
				18BL	470nm Blue	255	21	60,000
	W	CS	T	12NA	590nm Native Amber	264	15	36,000
				18BL	470nm Blue	318	21	60,000
			G	12NA	590nm Native Amber	257	15	36,000
				18BL	470nm Blue	310	21	60,000
		CSS	T	12NA	590nm Native Amber	224	15	36,000
				18BL	470nm Blue	270	21	60,000
			G	12NA	590nm Native Amber	218	15	36,000
				18BL	470nm Blue	263	21	60,000
		FW	T	12NA	590nm Native Amber	248	15	36,000
				18BL	470nm Blue	299	21	60,000
			G	12NA	590nm Native Amber	242	15	36,000
				18BL	470nm Blue	291	21	60,000

Subject to change without notice. Visit www.kenall.com for ies files and additional information.



LUXTRAN NARROW SPECTRUM

Luminaires for Transportation Applications

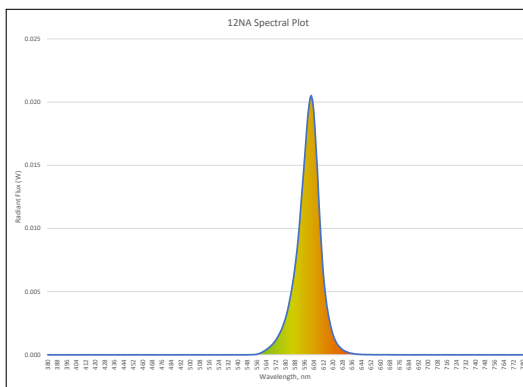
TDL SERIES

PHOTOMETRIC PERFORMANCE

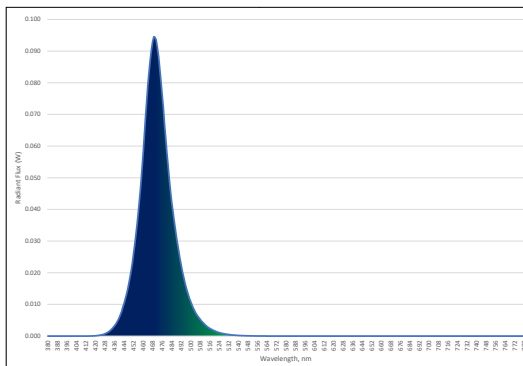
Wide Distribution Candela Curve	TDL6-FF-12NA-W-CS-G		Distance to illuminated plane (ft)	TDL6-FF-12NA-M-CS-G		Medium Distribution Candela Curve
	Initial center beam footcandles	Beam diameter (ft)		Initial center beam footcandles	Beam diameter (ft)	
	5.7	7.3	5'	18.2	2.8	
	3.9	8.8	6'	12.6	3.4	
	2.9	10.2	7'	9.3	3.9	
	2.2	11.7	8'	7.1	4.5	
	1.8	13.2	9'	5.6	5.0	
	1.4	14.6	10'	4.5	5.6	
Spacing Criteria: 1.38	Footcandle multipliers for 12NA (1.00); 18BL (1.20)				Spacing Criteria: 0.61	
Beam Angle: 72°	Beam diameter is where foot-candles drop to 50% of maximum				Beam Angle: 31°	

Wide Distribution Candela Curve	TDL6-FF-12NA-W-CSS-G		Distance to illuminated plane (ft)	TDL6-FF-12NA-M-CSS-G		Medium Distribution Candela Curve
	Initial center beam footcandles	Beam diameter (ft)		Initial center beam footcandles	Beam diameter (ft)	
	6.18	5.7	5'	11.5	4.6	
	4.29	6.8	6'	8.0	5.5	
	3.15	7.9	7'	5.9	6.5	
	2.42	9.1	8'	4.5	7.4	
	1.91	10.2	9'	3.6	8.3	
	1.55	11.3	10'	2.9	9.2	
Spacing Criteria: 1.13	Footcandle multipliers for 12NA (1.00); 18BL (1.20)				Spacing Criteria: 0.77	
Beam Angle: 59°	Beam diameter is where foot-candles drop to 50% of maximum				Beam Angle: 50°	

SPECTROPHOTOMETRIC PERFORMANCE



12NA	
Purity	1.0006
UV (<400nm)	0.000%
Radiant Flux (<=560nm)	0.000%
Bandwidth	17.8 nm
Peak Wavelength	590 nm



18BL	
Purity	0.9583
Bandwidth	24.4 nm
Peak Wavelength	470 nm



www.kenall.com | P: 800-4-Kenall | F: 262-891-9700 | 10200 55th Street Kenosha, Wisconsin 53144, USA
 This product can comply with the latest domestic preference legislation, such as the Buy American Act (BAA), Trade Agreement Act (TAA), Build America Act (BABA), and others. It may be covered by patents found at www.kenall.com/patents. Content of specification sheets is subject to change; please consult www.kenall.com for current product details. ©2024 Kenall Mfg. Co.

A brand of Legrand

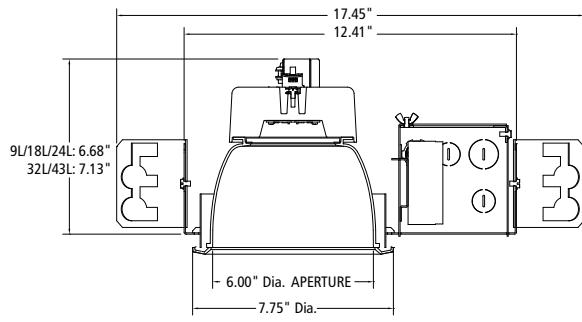
LUXTRAN NARROW SPECTRUM

Luminaires for Transportation Applications

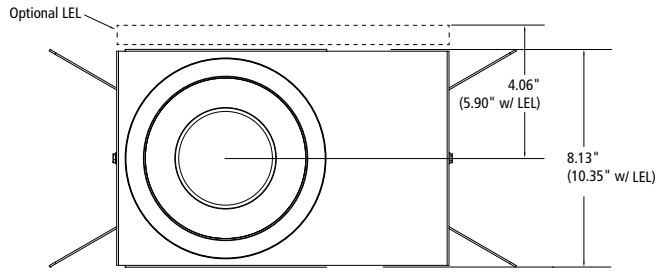
TDL SERIES

DIMENSIONAL DATA

CROSS SECTION



BOTTOM VIEW



RECOMMENDED CEILING CUT-OUT: 7.38" Dia.



www.kenall.com | P: 800-4-Kenall | F: 262-891-9700 | 10200 55th Street Kenosha, Wisconsin 53144, USA
This product can comply with the latest domestic preference legislation, such as the Buy American Act (BAA), Trade Agreement Act (TAA), Build America, Buy America Act (BABA), and others. It may be covered by patents found at www.kenall.com/patents. Content of specification sheets is subject to change; please consult www.kenall.com for current product details. ©2024 Kenall Mfg. Co.

A brand of Legrand