

# MIGHTY MAC™

## WCBS SERIES

### PRODUCT FEATURES:

- » Bullnose profile, wall-mounted luminaire with bi-directional illumination (up/down)
- » Innovative door-free design eliminates the possibility of contraband concealment and tampering
- » Designed for permanent installation
- » One-piece, TIG-welded housing with reinforced, continuous lens retention
- » LED thermal management and under-stressed driver to promote long life expectancy



### PROJECT INFORMATION

Job Name \_\_\_\_\_

Fixture Type \_\_\_\_\_

Catalog Number \_\_\_\_\_

Approved by \_\_\_\_\_

### SPECIFICATIONS

**HOUSING:** One-piece die-formed prime grade material as specified – see Ordering Information. Cold-rolled steel and painted stainless steel options are finished with a gloss white TGIC polyester powder coat finish with 5-stage pre-treatment. Continuous seam-welded and smoothed corners with no post grinding (TIG). Housing resistant to penetration and contraband concealment. One-piece concealed lens retention bracket.

**OPTICS:** High-efficiency diffused, impact-resistant acrylic inner lens with clear polycarbonate or tempered glass outer lens. See Ordering Information for selection options. Maximum 0.500" overall thickness.

**LED MODULE:** Serviceable mid-power LED array. 3500K, 4000K and 5000K color temperature options with maximum 3-step MacAdam variation allowance. Minimum 82CRI standard (R9>20) with 90CRI (R9>50) optional.

**DRIVER:** 120-277VAC or 347VAC, 50/60Hz electrical input with serviceable constant-current driver (<20% THD, >0.90 PF). Minimum 85% driver efficiency. Standard 0-10V dimming with 1-100% range and dim-to-dark capabilities (non dim-to-dark with 347V); maximum 165µA maximum source current. Optional eldoLED ECOdrive DALI drivers with 1-100% range.

**CONTROLS:** Optional embedded microwave motion sensor (MS) has factory default settings of 20 minute time out, dims down to 30%.

**INSTALLATION:** Wall-mount installation via external mounting holes using six (6) high-security bolts (provided by others).

**WARRANTY:** Limited five (5) year LED and driver warranty.

**LISTINGS:** Luminaire is certified to UL Standards by Intertek Testing Laboratory for Damp Location.



### ORDERING INFORMATION (Ex: WCBS-3-0-35L/35L-35K8-DIM1-DV-SYM/B-FS)

Model	Length	Hsg. Material	Lamp Power	Lamp Color	Driver Type	Voltage	Lens (Inner/Outer)	Options
<b>WCBS</b>	<b>3</b>						<b>SYM /</b>	
<b>Length</b>		<b>Driver Type</b>		<b>Lens (Inner/Outer)</b>				
<b>3</b>	3' Nominal	<b>DIM1</b>	0-10V Dimming to 1%	<b>SYM†</b>	.125" Diffused DR Acrylic			
		<b>DALI</b>	DALI Dimming to 1%	<b>G</b>	.125" Clear Polycarbonate			
<b>Housing Material</b>		<b>Voltage</b>		<b>Options</b>				
<b>0</b>	14-Ga CRS in Gloss White	<b>DV</b>	120-277VAC, 50/60Hz	<b>MS</b>	Integral 6W Self-Testing Emergency Battery Backup (n/a 347V)			
<b>3</b>	14-Ga Type 304 Stainless Steel in Gloss White	<b>347</b>	347VAC, 60Hz (DIM1 only)	<b>FS</b>	Single Fuse & Holder			
<b>Lamp Power</b>				<b>NLW</b>	2700K White LED Night Light (n/a 347V)			
<b>24L/24L</b>	24 Watt LED Up / 24 Watt LED Down			<b>NLA</b>	Amber LED Night Light (n/a 347V)			
<b>35L/35L</b>	35 Watt LED Up / 35 Watt LED Down			<b>2C</b>	Two-Circuit Wiring			
<b>Lamp Color</b>								
<b>35K8</b>	3500K / 82 CRI min.							
<b>35K9</b>	3500K / 90 CRI min.							
<b>40K8</b>	4000K / 82 CRI min.							
<b>40K9</b>	4000K / 90 CRI min.							
<b>50K8</b>	5000K / 82 CRI min.							

† Not available as Outer lens or as standalone lens option



www.kenall.com | P: 800-4-Kenall | F: 262-891-9701 | 10200 55th Street Kenosha, Wisconsin 53144, USA

A brand of **legrand**

This product complies with the Buy American Act: manufactured in the United States with more than 50% of the component cost of US origin. It may be covered by patents found at www.kenall.com/patents. Content of specification sheets is subject to change; please consult www.kenall.com for current product details. ©2022 Kenall Mfg. Co.

# MIGHTY MAC™

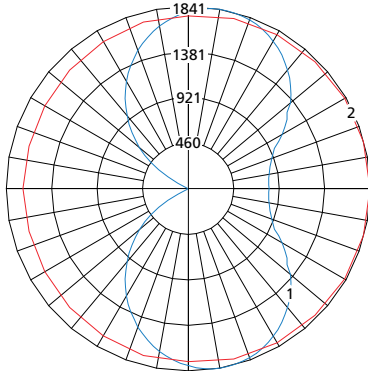
## WCBS SERIES

### PERFORMANCE

Lamp Power	Initial Delivered Lumens, by CCT (lm)					Efficacy (lm/W)	Input Power (W)	Drive Current (mA)	Estd. L70 LED Life (Hrs)
	35K8	35K9	40K8	40K9	50K8				
24/24L	7,000	6,056	7,137	6,115	7,334	106 - 128	57	94	80,000
35/35L	9,797	8,476	9,990	8,559	10,265	104 - 127	81	131	65,000

NOTE: All products tested with SYM/B lens configuration. See "Lumen Output Scaling Factor" table for output values with alternate lens configurations. Information subject to change without notice. Visit [www.kenall.com](http://www.kenall.com) for IES files and additional information.

Model: WCBS-3-y-35L/35L-40K8-DIM1-zzz-SYM-B



Maximum Candela = 1841 Located At Horizontal Angle = 0, Vertical Angle = 10

- 1 - Vertical Plane Through Horizontal Angles (0-180) (Through Max. Cd.)
- 2 - Horizontal Cone Through Vertical Angle (10) (Through Max. Cd.)

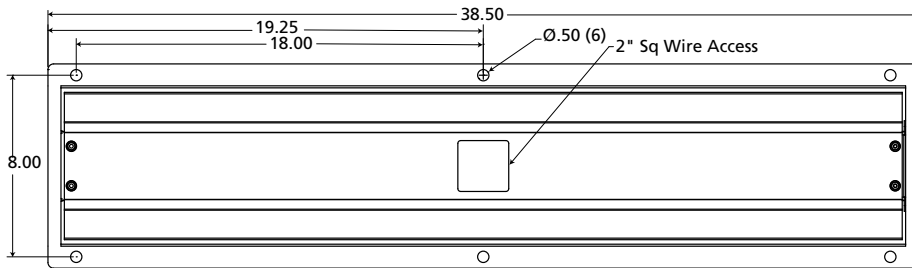
### LUMEN OUTPUT SCALING FACTORS

Lens Configuration	Outer Lens	Scaling Factor
SYM/G	1/8" Clear PC	1.10
SYM/7	3/16" Clear PC	1.06
SYM/8	3/16" Clear TG	1.06
SYM/9	1/4" Clear PC	1.03
SYM/B	3/8" Clear PC	1.00
SYM/C	3/8" Clear TG	1.03

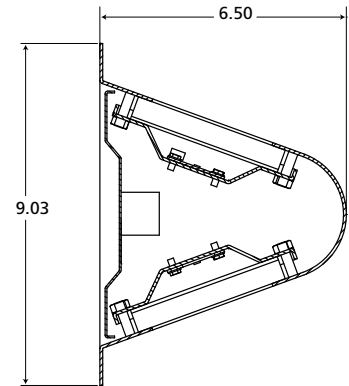
NOTE: Use this table to determine the lumen output and efficacy with the desired lens configuration by multiplying the provided value with the appropriate number in the 'Performance' table above.

### DIMENSIONAL DATA

BACK VIEW



CROSS SECTION



[www.kenall.com](http://www.kenall.com) | P: 800-4-Kenall | F: 262-891-9701 | 10200 55th Street Kenosha, Wisconsin 53144, USA

This product complies with the Buy American Act: manufactured in the United States with more than 50% of the component cost of US origin. It may be covered by patents found at [www.kenall.com/patents](http://www.kenall.com/patents). Content of specification sheets is subject to change; please consult [www.kenall.com](http://www.kenall.com) for current product details. ©2022 Kenall Mfg. Co.

A brand of **legrand**