

BHRT AND BHAERT SERIES

IMPORTANT SAFEGUARDS

When using electrical equipment, basic safety precautions should always be followed, including the following:

THIS PRODUCT MUST BE INSTALLED IN ACCORDANCE WITH THE APPLICABLE INSTALLATION CODE BY A PERSON FAMILIAR WITH THE CONSTRUCTION AND OPERATION OF THE PRODUCT AND THE HAZARDS INVOLVED. DISCONNECT POWER TO ALL CIRCUITS BEFORE WIRING FIXTURE. INSTALL IN ACCORDANCE WITH ALL NATIONAL, STATE, AND LOCAL CODES. DO NOT CONNECT TO AN UNGROUNDED SUPPLY. READ ALL FIXTURE MARKINGS AND LABELS TO ENSURE CORRECT INSTALLATION OF FIXTURE. SUPPLEMENTAL INSTRUCTIONS MAY BE LOCATED ON THE FIXTURE, IN ADDITION TO THIS INSTRUCTION SHEET, REGARDING ORIENTATION, OR MOUNTING RESTRICTIONS.

SAVE THESE INSTRUCTIONS

Fixture is designed for installation into framed-out drywall ceilings with up to 5/8" drywall using framing members and hardware provided by others.

1. Disconnect facility power to the electric power supply leads.
2. Frame out location of luminaire specified distance between framing members shown in Figure 1. Framing members should run the full length of the luminaire. 16GA galvanized steel channel is recommended for its straightness and strength.

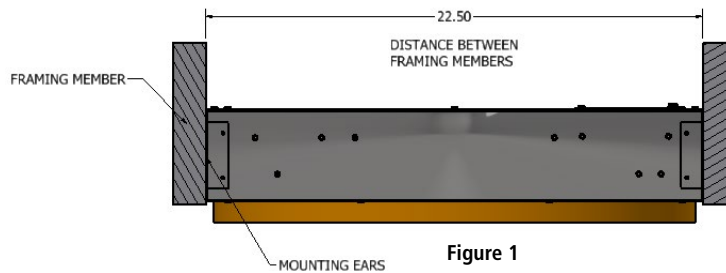


Figure 1

3. Secure fixture to framing members using fixture mounting ears on both sides using eight (8) #10 fasteners with washers (provided by others). See Figure 2a. Fixture to be installed with collar flush with bottom of drywall or up to 1/8" gap between collar and drywall. See Figure 2b. Collar should not rest below the drywall face in order to maintain proper seal of the door against the drywall. Run conduit and supply/control wiring to wire access plate (see Figure 3). KOs suitable for 1/2" conduit fittings.

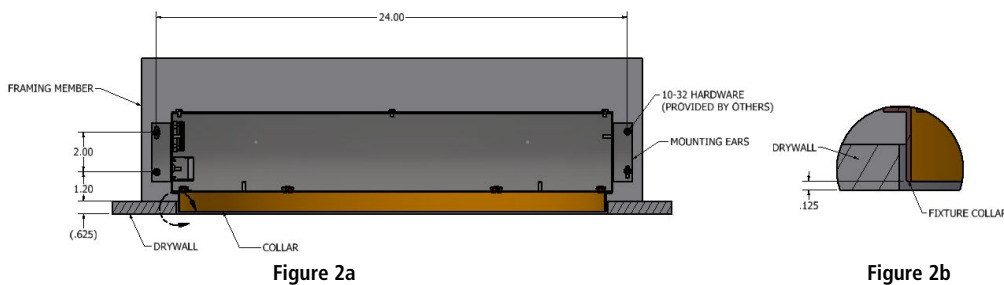


Figure 2a

Figure 2b

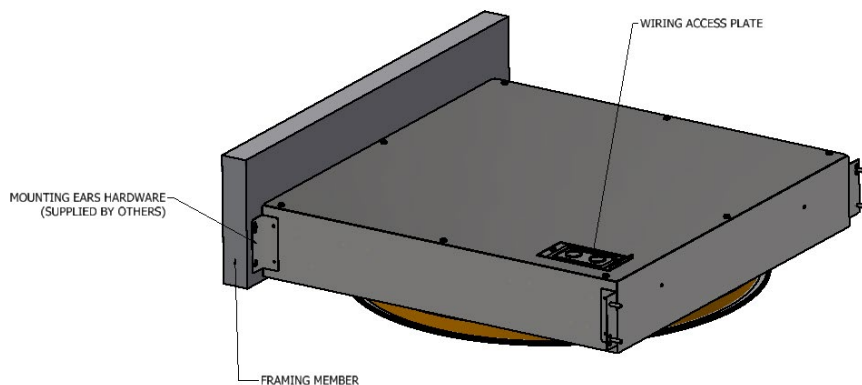


Figure 3



4. Install drywall such that the luminaire cut-out is within whole pieces of panel. Ceiling seams and joints should be outside the fixture cut-out, if possible.

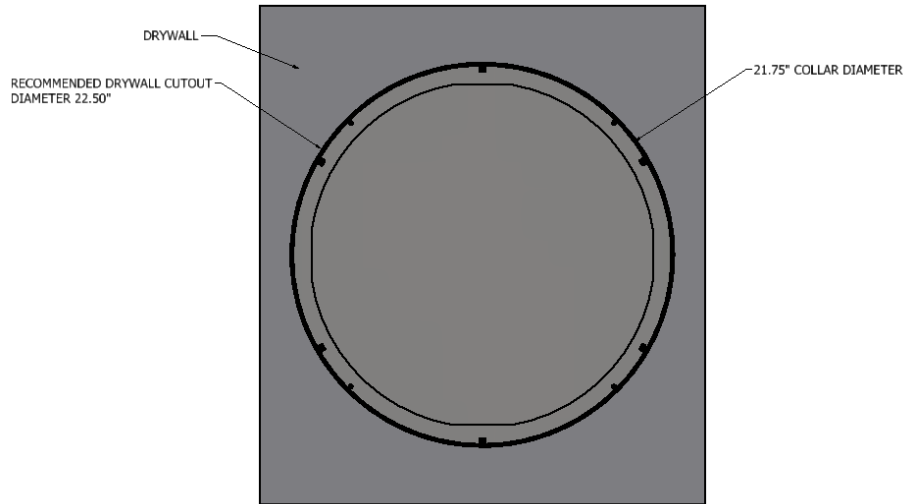


Figure 4

5. Complete wiring connections to AC supply, earth ground and dimming (if used) following all applicable electrical codes. If a low-voltage controller (LVC/LVCD) option is included, connect the low voltage (5VDC) connections from the nurse-call/wall control devices to the appropriate labeled wires at the luminaire.
6. Install door, securing all tamper-resistant Torx fasteners such that door assembly is tightly compressed against the ceiling. Apply power and test for full operation of the luminaire.

CUSTOMER SERVICE

For technical assistance, call 1-800-4KENALL (1-800-453-6255).

WARRANTY

For warranty information visit www.kenall.com/Resources/Certified-Performance-Warranties



www.kenall.com | P: 800-4-Kenall | F: 262-891-9701 | 10200 55th Street Kenosha, Wisconsin 53144, USA

This product complies with the Buy American Act: manufactured in the United States with more than 50% of the component cost of US origin. It may be covered by patents found at www.kenall.com/patents. Content of specification sheets is subject to change; please consult www.kenall.com for current product details. ©2019 Kenall Mfg. Co.

A brand of Legrand