

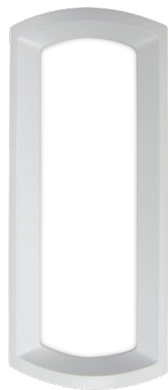
LPS SERIES – SEMI-RECESSED MOUNT – NEW CONSTRUCTION

**IMPORTANT SAFEGUARDS**

When using electrical equipment, basic safety precautions should always be followed, including the following:

THIS PRODUCT MUST BE INSTALLED IN ACCORDANCE WITH THE APPLICABLE INSTALLATION CODE BY A PERSON FAMILIAR WITH THE CONSTRUCTION AND OPERATION OF THE PRODUCT AND THE HAZARDS INVOLVED. DISCONNECT POWER TO ALL CIRCUITS BEFORE WIRING FIXTURE. INSTALL IN ACCORDANCE WITH ALL NATIONAL, STATE, AND LOCAL CODES. DO NOT CONNECT TO AN UNGROUNDED SUPPLY. READ ALL FIXTURE MARKINGS AND LABELS TO ENSURE CORRECT INSTALLATION OF FIXTURE. SUPPLEMENTAL INSTRUCTIONS MAY BE LOCATED ON THE FIXTURE, IN ADDITION TO THIS INSTRUCTION SHEET, REGARDING ORIENTATION, OR MOUNTING RESTRICTIONS.

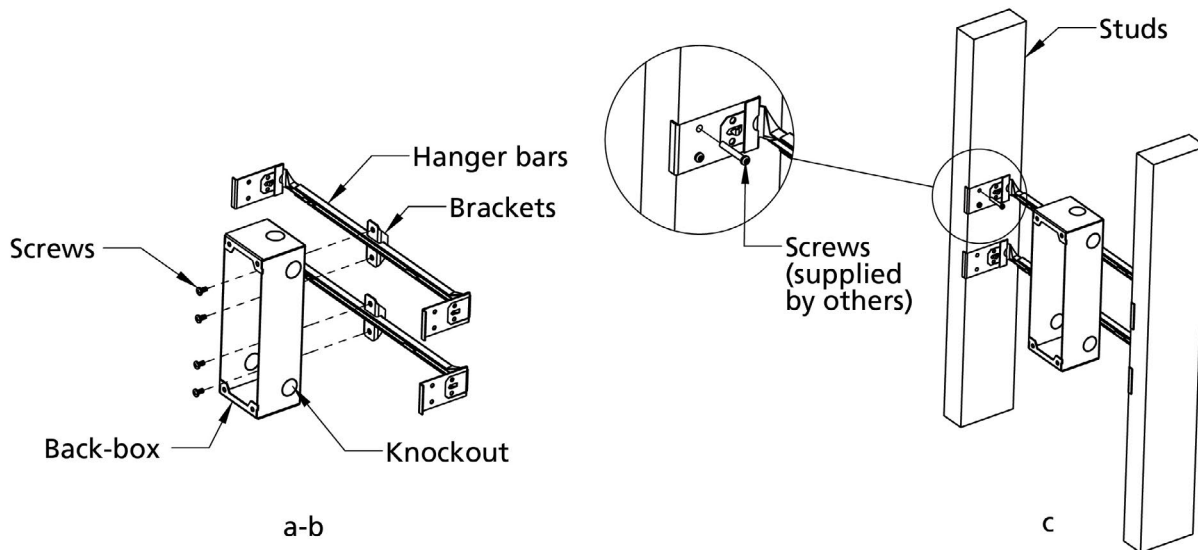
**SAVE THESE INSTRUCTIONS**



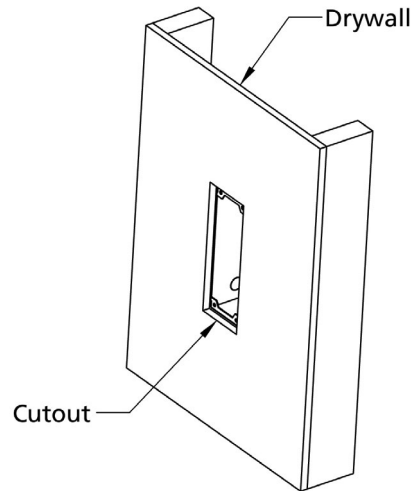
**INSTALLATION INSTRUCTIONS**

2. Mount Back-box and Hanger Bars.
  - b. Remove knockouts as needed.
  - b. Mount back-box to hanger bars using the screws and brackets supplied with the fixture.
  - b. Install hanger bar assembly. Use four screws per hanger bar (supplied by others).

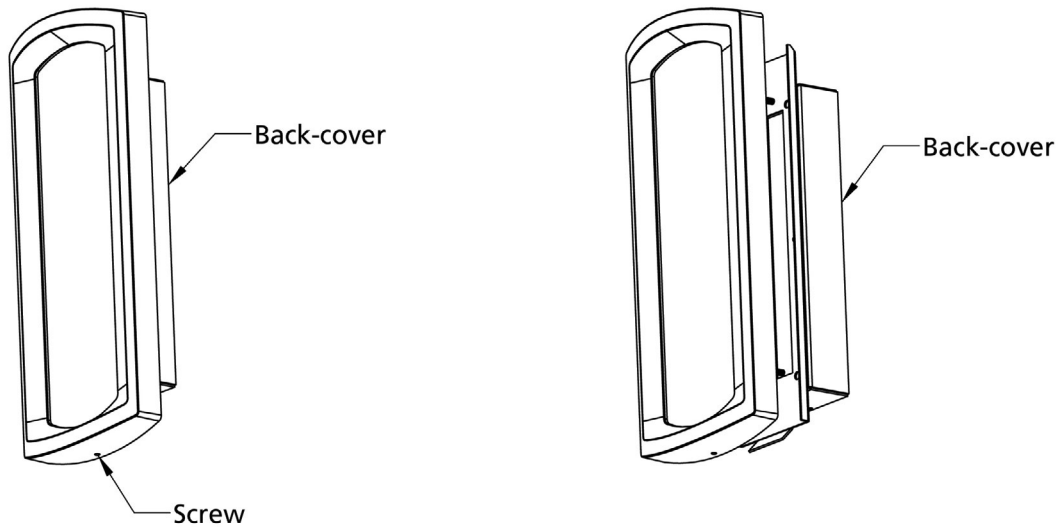
Note: Remember to use non-ferrous hardware when installing MRI fixtures.



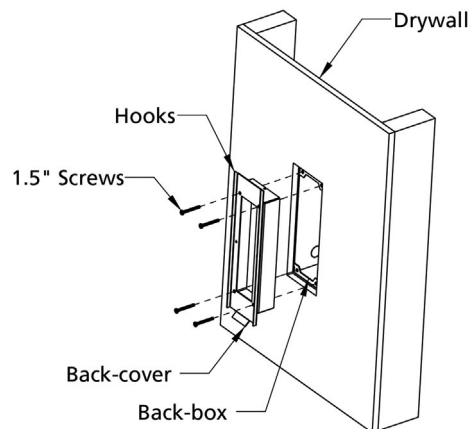
- After the Drywall has been installed, cut a rectangular hole over installed back-box. Use back-box as template, or see Spec Sheet for cutout dimensions.



- Remove Back Cover from fixture by backing out screw at bottom of housing until Back Cover is free.



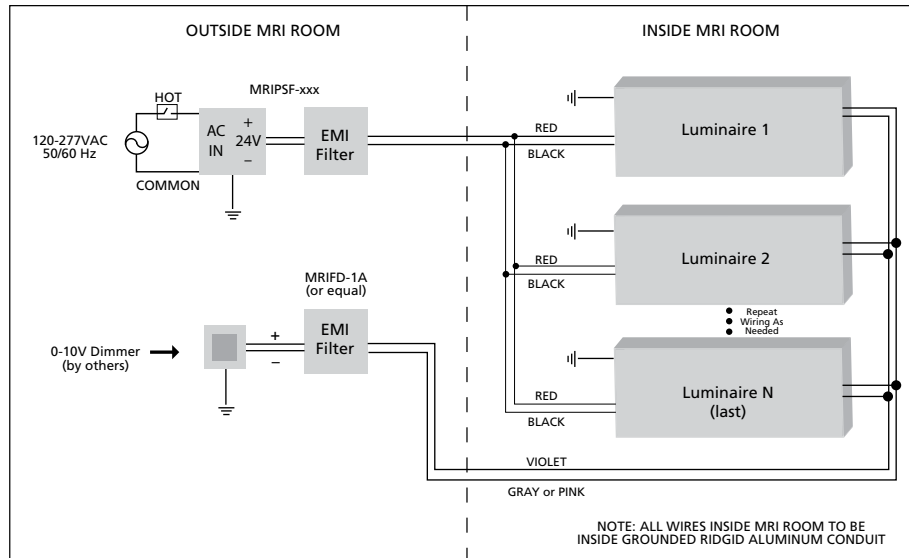
- Insert back-cover through hole in drywall - make sure that hooks on housing are pointing up. Attach back-cover to back-box using (4) screws included.



- Make electrical connections. Disconnect facility power to the electric power supply leads. Connect fixture leads to power supply leads using connectors suitable for the gage and number of wires being used (not included).

**MRI Fixtures:**

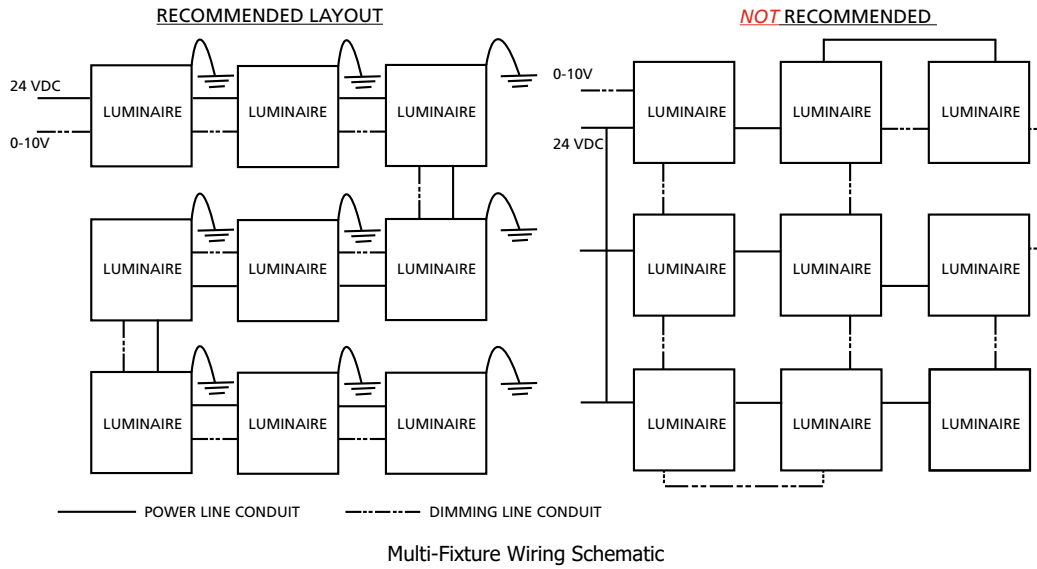
- Install the MRIPSF remote power supply and EMI filter in accordance with the supplied installation instructions.
- If a 0-10V dimming circuit is to be connected, install at this time. The 0-10V dimmer must be installed outside the shielded MRI environment with the Kenall MRIFD-1A dimming line filter (or equivalent) installed in accordance with the supplied installation instructions. Kenall recommends the Lutron Diva (DVSTV) and Lutron Nova T (NTSTV-DV) series to ensure full range of dimming can be achieved.



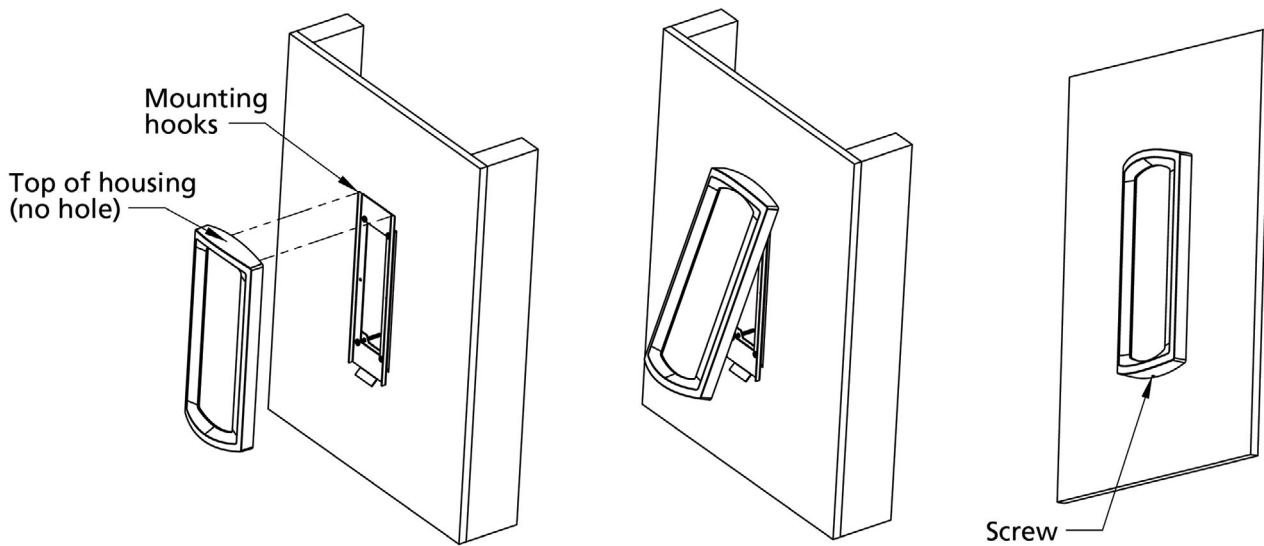
Single-Supply System Schematic

- Run DC wiring, equal in size and temperature rating to the filter input wiring, between the filter output cables and the first luminaire within the shielded room. Follow recommended wiring layout described within Single-Supply System Schematic. All wiring must be within completely-enclosed, grounded conduit suitable for an MRI environment. Any gaps, regardless of size, must be closed or wrapped in copper foil tape. Special attention should be paid to the wiring entry point into the shielded space. Class 1 wiring methods are required.
- Run the dimming signal wiring, equal in specification to the filter input wiring, between the filter output cables and the first luminaire within the shielded room. Maintain polarity between input and output sides of the filter and follow wiring recommendation in Multi-Fixture Wiring Schematic. All wiring must be within completely enclosed, grounded conduit suitable for an MRI environment. Any gaps, regardless of size, must be closed or wrapped in copper foil tape. Special attention should be paid to the wiring entry point into the shielded space. Cap gray/pink and violet leads at luminaire(s) if dimming function is not implemented.
- Connect power on line voltage side and test system operation. Test operation of lighting system, including dimming functionality, during MRI machine idle mode and during scanning operations.
- Fill out the Installation Registration Form and fax to Kenall at (262) 891-9701.





6. Install housing. Top of housing bracket engages mounting hooks on back-cover.
7. Tighten screw at bottom of housing.



## CUSTOMER SERVICE

For technical assistance, call 1-800-4KENALL (1-800-453-6255).

## WARRANTY

For warranty information visit [www.kenall.com/Resources/Certified-Performance-Warranties](http://www.kenall.com/Resources/Certified-Performance-Warranties)



www.kenall.com | P: 800-4-Kenall | F: 262-891-9701 | 10200 55th Street Kenosha, Wisconsin 53144, USA

This product complies with the Buy American Act: manufactured in the United States with more than 50% of the component cost of US origin. It may be covered by patents found at [www.kenall.com/patents](http://www.kenall.com/patents). Content of specification sheets is subject to change; please consult [www.kenall.com](http://www.kenall.com) for current product details. ©2019 Kenall Mfg. Co.

A brand of Legrand