

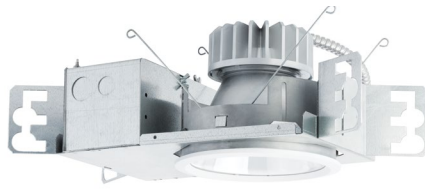
# INDIGO-CLEAN™ MDLIC6 SERIES

## Patented Continuous Environmental Disinfection System

### Dual Mode Disinfection LED

#### PRODUCT FEATURES:

- » 6" sealed, recessed downlight with regressed or flush lens trim
- » Two operational modes: White LED Mode & Indigo Disinfection Mode
- » Indigo Mode provides concentrated disinfection for high-contamination areas
- » White LED Mode provides up to 2,000 lm



PROJECT INFORMATION	
Job Name	_____
Fixture Type	_____
Catalog Number	_____
Approved by	_____

#### SPECIFICATIONS

**HEAT SINK:** Die-cast aluminum with external radial fins for natural convection.

**ROUGH-IN FRAME:** 18-gauge die-formed, corrosion-resistant steel. Vertically adjustable collar accommodates ceiling thicknesses up to 2", adjustable post-installation. Universal mounting brackets accept 3/4" and 1-1/2" lathers channel, 1/2" EMT conduit and hanger bars. Quick-access junction box accessible post-installation from above and below ceiling. Includes (4) 1/2" and (2) 3/4" knock-outs to allow straight conduit runs. Listed for (8) 12AWG, 90°C conductors and feed-thru branch wiring. Provided with FMC with electrical quick-connect to Trim Section.

**TRIM/HOUSING SECTION:** IP-rated housing section incorporates the heat sink, LED module, optics and lower trim. Configurable with an IP64-rated Regressed or Flush lens trim that is secured to the Rough-In frame with hidden torsion springs, and an IP65 Flush lens trim secured with four (4) phillips head, captive fasteners. Anti-microbial finish standard on all exposed painted surfaces. See trim ordering information for available options.

**OPTICAL:** High-efficiency mixing chamber design with regressed diffused tempered-glass lens produces uniform light output. Flush lens trim options include a clear lens. Available with various reflector finishes and medium distribution pattern. See reflector finish ordering information for available options.

**ELECTRICAL:** LED array with individually-controlled 405nm Indigo and white LED circuits. White LED available in multiple CCT and CRI combinations with a maximum 3-step MacAdam variation allowance. See Trim Ordering Information for available options. 120-277VAC, 50/60Hz electrical input with serviceable constant-current driver (<20% THD, >0.90 PF). Minimum 85% driver efficiency. Indigo/White Mode selection input is via secondary 120-277VAC SPST switched input and controlled by internal relay. Must be specified in conjunction with provided IC75 occupancy-sensing room control system (page 3).

**PHOTOMETRICS:** Photometry tested to the IESNA LM-79-08 standard by an ILAC/ISO17025 accredited laboratory. For photometric information, go to [www.kenall.com](http://www.kenall.com).

**WARRANTY:** Limited five (5) year LED warranty.

**LISTINGS:** Luminaire is certified to UL standards by Intertek Testing Laboratory for non-IC and Wet Location installations. IP64 and IP65 rating per IEC60598. NSF2 Splash/Non-Food Zone. Optional CCEA compliance. Product Innovation Award Winner 2018. EPA Est. No. 99283-WI-1.

**OTHER:** See Kenall's MedMaster MDL6 downlight for the complimentary product in a standard white LED light source.



#### ORDERING INFORMATION (Ex: MDLIC6-NF-DCFW-38I/22L-40K8-M-CS-T-RIC6-DV-SCC)

##### TRIM

Model	Trim Style	Trim Finish	Lamp Power	Lamp Color	Distribution	Reflector Finish	Flush Lens Type
<b>MDLIC6</b>			<b>38I/22L</b>		<b>M</b>		
<b>Trim Style</b>			<b>Lamp Color (White LED)</b>				
<b>R</b>	Regressed Lens (IP64)		<b>30K8</b>	3000K / 80 CRI min.			
<b>NF</b>	Flush Lens (Without Fasteners - IP64)		<b>30K9</b>	3000K / 90 CRI min.			
<b>FF</b>	Flush Lens (With Fasteners - IP65)		<b>35K8</b>	3500K / 80 CRI min.			
			<b>35K9</b>	3500K / 90 CRI min.			
<b>Trim Finish</b>			<b>40K8</b>	4000K / 80 CRI min.			
<b>DCFW</b>	Die-Cast Aluminum in Flat White (R and NF Trim Style)		<b>40K9</b>	4000K / 90 CRI min.			
<b>2FW</b>	Cold-Rolled Steel in Flat White		<b>50K8</b>	5000K / 80 CRI min.			
<b>5BR</b>	Type 304 Stainless Steel with 4B Brushed Finish		<b>Distribution</b>				
			<b>M</b>	Medium			
<b>Lamp Power</b>			<b>Reflector Finish</b>				
<b>38I/22L</b>	38 Watt Indigo/22 Watt White LED		<b>CS</b>	Clear Specular			
			<b>CSS</b>	Clear Semi-Specular			
			<b>Flush Lens Type (n/a Regressed Trim Style)</b>				
			<b>T</b>	1/8" Clear High-Impact Acrylic			

##### ROUGH-IN

Rough-In	Input Voltage	Driver Type	Options
<b>RIC6</b>	<b>DV</b>	<b>SCC</b>	
<b>Rough-In</b>			
<b>RIC6</b>	6" Indigo-Clean Rough-In Frame		
<b>Input Voltage</b>			
<b>DV</b>	120-277V, 50/60Hz		
<b>120</b>	120V, 60Hz		
<b>277</b>	277V, 60Hz		
<b>Driver Type</b>			
<b>SCC</b>	Standard Constant Current Driver		
<b>Options</b>			
<b>FS</b>	Fuse & Holder		
<b>CCEA</b>	CCEA Approved (specified voltage required)		

**NOTE:** For IC75 occupancy sensing control options, see following specification sheet (page 3), selection required.



www.kenall.com | P: 800-4-Kenall | F: 262-891-9701 | 10200 55th Street Kenosha, Wisconsin 53144, USA

A brand of **legrand**

This product complies with the Buy American Act: manufactured in the United States with more than 50% of the component cost of US origin. It may be covered by patents found at [www.kenall.com/patents](http://www.kenall.com/patents). Content of specification sheets is subject to change; please consult [www.kenall.com](http://www.kenall.com) for current product details. ©2019 Kenall Mfg. Co.

# INDIGO-CLEAN™ DOWNLIGHT

Patented Continuous Environmental Disinfection System

## MDLIC6 SERIES - Dual Mode White and Indigo Disinfection LED

### PERFORMANCE

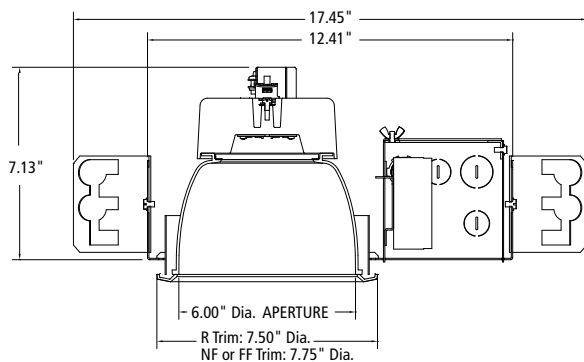
Mode	Lamp Code	Initial Delivered Lumens (lm)				Input Power (W)	Est. L70 LED Life (Hrs)
		Type 'R' Trim		Type 'NF' and 'FF' Trim			
		M-CS	M-CSS	M-CS-T	M-CSS-T		
White LED Mode	38I/22L-30K8	1,930	1,812	1,763	1,655	29	60,000
	38I/22L-30K9	1,614	1,515	1,474	1,384		
	38I/22L-35K8	1,930	1,812	1,763	1,655		
	38I/22L-35K9	1,633	1,533	1,492	1,400		
	38I/22L-40K8	2,007	1,884	1,834	1,721		
	38I/22L-40K9	1,633	1,533	1,492	1,400		
Indigo Disinfection Mode	All	-	-	-	-	40	50,000

Information subject to change without notice. TM-30 Color Vector Graphic available upon request. Visit [www.kenall.com](http://www.kenall.com) for .ies files and additional information.

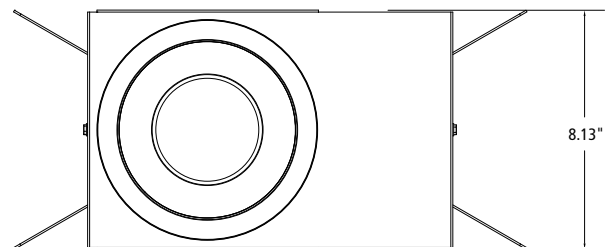
Medium Distribution Candela Curve	MDLIC6-R-38I/22L-40K8-M-CS		Distance to illuminated plane (ft)	MDLIC6-FF-38I/22L-40K8-M-CS-T		Medium Distribution Candela Curve
	Initial center beam foot-candles	Beam diameter (ft)		Initial center beam foot-candles	Beam diameter (ft)	
	313.5	2.9	5'	286.6	2.8	
	217.7	3.0	6'	199.0	2.9	
	160.0	3.5	7'	146.2	3.4	
	122.5	3.8	8'	111.9	3.9	
	96.8	4.4	9'	88.4	4.2	
	78.4	4.8	10'	71.6	4.3	
Spacing Criteria: 0.36	foot-candle multipliers for 30K8(.96), 30K9(.80), 35K8(.96), 35K9(.81), 40K9(.81), 50K8(1.0)					Spacing Criteria: 0.36
Beam Angle: 21°	Beam diameter is where foot-candles drop to 50% of maximum					Beam Angle: 21°

### DIMENSIONAL DATA

CROSS SECTION



BOTTOM VIEW



RECOMMENDED CEILING CUT-OUT  
 R and NF Trims: 7.13" Dia.  
 FF Trims: 7.38" Dia.



[www.kenall.com](http://www.kenall.com) | P: 800-4-Kenall | F: 262-891-9701 | 10200 55th Street Kenosha, Wisconsin 53144, USA

A brand of Legrand

This product complies with the Buy American Act: manufactured in the United States with more than 50% of the component cost of US origin. It may be covered by patents found at [www.kenall.com/patents](http://www.kenall.com/patents). Content of specification sheets is subject to change; please consult [www.kenall.com](http://www.kenall.com) for current product details. ©2019 Kenall Mfg. Co.

# INDIGO-CLEAN™ ROOM CONTROLLER SYSTEM

## IC75 SERIES

### PRODUCT FEATURES:

- » Room-level disinfection mode control via occupancy detection
- » Works in conjunction with Indigo-Clean MDLIC6 recessed downlight series to provide white LED light or 405nm light mode
- » Dual-technology sensors with ceiling or wall-mounting options for installation flexibility

### SPECIFICATIONS

**OCCUPANCY SENSOR (CEILING-MOUNT):** Low-profile, dual-technology (PIR and 40kHz ultrasonic) occupancy sensor with 360° coverage pattern; 120, 230 or 277VAC, 50/60Hz line-voltage input and control with zero-crossing relay for long-life; ultrasonic and PIR sensitivity adjustment; Detection Signal Processing eliminates false triggers and provides immunity to EMI; installation to 4" octagonal junction box; white color faceplate; factory set time delay of 15 minutes.

**OCCUPANCY SENSOR (WALL-MOUNT):** Dual-technology (PIR and ultrasonic) wall switch occupancy sensor with high-sensitivity and dense coverage pattern; 120/277VAC, 50/60Hz line-voltage input and control with zero-crossing relay for long-life; ultrasonic and PIR sensitivity adjustment; Detection Signal Processing eliminates false triggers and provides immunity to EMI; installation into single gang wall switch; white color faceplate; selectable audible alert for impending mode change; factory set to Auto-ON with factory set time delay of 15 minutes.

**INSTALLATION:** One (1) occupancy sensor shall control all Indigo-Clean MDLIC6 downlights within a single room (800W load limit). Installations shall be wired to separate circuits between existing/primary room lighting and the Indigo-Clean downlights.

**LISTINGS:** All components carry a UL and cUL Listing by the respective manufacturer(s).

**WARRANTY:** All components carry a five (5) year warranty by the respective manufacturer(s).



Ceiling-Mounted Sensor (IC75-CMS)



Wall-Mounted Sensor (IC75-WMS)

### ORDERING INFORMATION – SENSOR MODULE

Sensor

#### Sensor

**IC75-CMS** Ceiling-Mounted Occupancy Sensor

**IC75-WMS** Wall-Mounted Occupancy Sensor



www.kenall.com | P: 800-4-Kenall | F: 262-891-9701 | 10200 55th Street Kenosha, Wisconsin 53144, USA

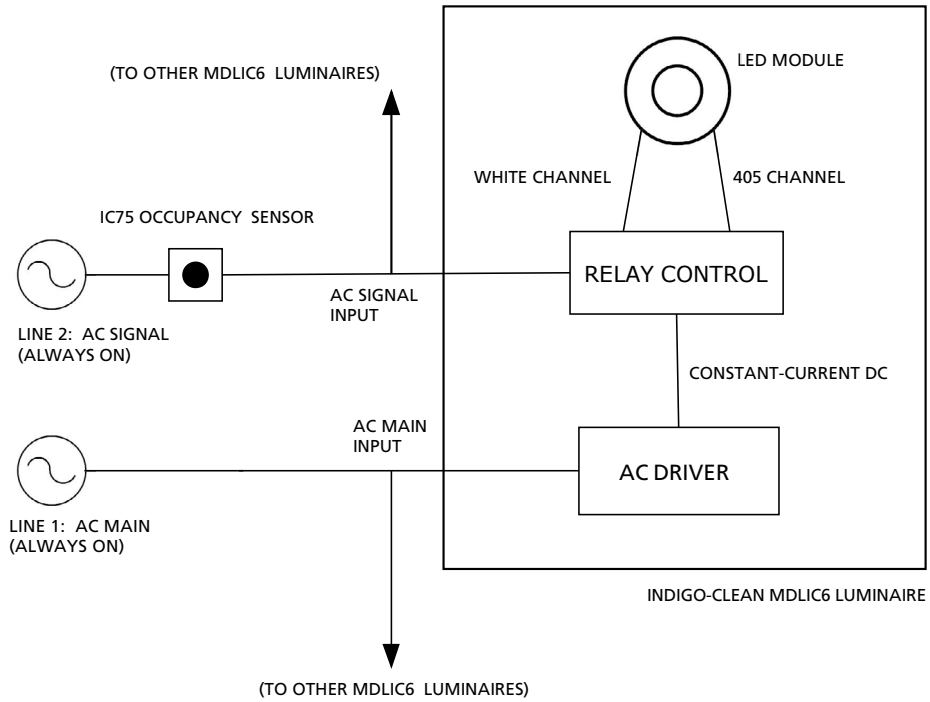
A brand of **legrand**

This product complies with the Buy American Act: manufactured in the United States with more than 50% of the component cost of US origin. It may be covered by patents found at [www.kenall.com/patents](http://www.kenall.com/patents). Content of specification sheets is subject to change; please consult [www.kenall.com](http://www.kenall.com) for current product details. ©2019 Kenall Mfg. Co.

# INDIGO-CLEAN™ ROOM CONTROLLER SYSTEM

## IC75 SERIES

### WIRING SCHEMATIC



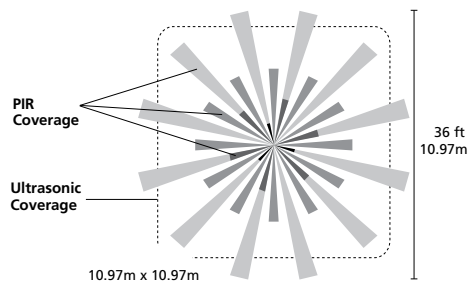
### CONTROL LOGIC DIAGRAM

AC MAIN INPUT	AC SIGNAL INPUT	LIGHTING OUTPUT MODE
OFF	OFF	OFF
OFF	ON	OFF
ON	OFF	405 MODE
ON	ON	WHITE MODE

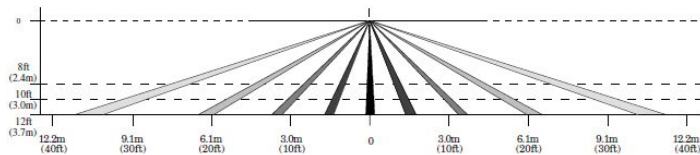
NOTE: Power to 'AC Main' and 'AC Signal' input should always be ON to ensure proper disinfection capability.

### OCCUPANCY SENSOR COVERAGE PATTERN

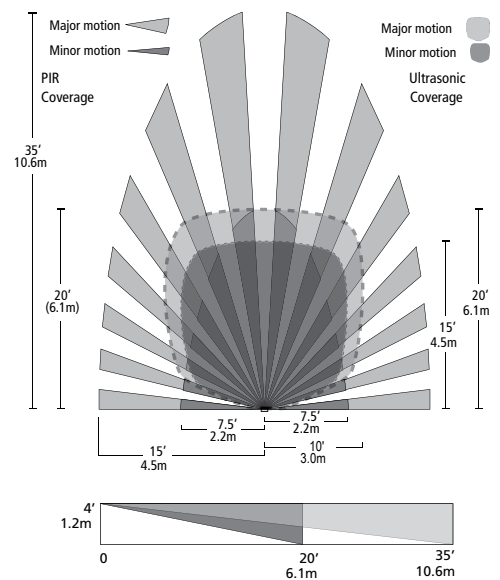
Ceiling-Mounted Sensor Coverage Pattern (IC75-CMS)



Side View - Ceiling-Mounted Sensor Coverage Pattern (IC75-CMS)



Wall-Mounted Sensor Coverage Pattern (IC75-WMS)



www.kenall.com | P: 800-4-Kenall | F: 262-891-9701 | 10200 55th Street Kenosha, Wisconsin 53144, USA

A brand of **legrand**

This product complies with the Buy American Act: manufactured in the United States with more than 50% of the component cost of US origin. It may be covered by patents found at www.kenall.com/patents. Content of specification sheets is subject to change; please consult www.kenall.com for current product details. ©2019 Kenall Mfg. Co.