

MILLENIUM STRETCH™

MLHA3 SERIES



ROUNDED END CAP

PRODUCT FEATURES:

- » Narrow 3" linear surface mount luminaire with multiple length options
- » LED source and lens material optimized to provide the perfect blend of high performance and visual comfort
- » Customizable light output
- » Extruded and die-cast aluminum construction
- » Peace of Mind Guarantee® against breakage



FLAT END CAP

SPECIFICATIONS:

HOUSING: Extruded marine grade aluminum body with die-cast aluminum end caps. Two end cap styles available - Flat and Round. Conduit and Wiremold™ ready knockout visible only from interior of end cap. Closed cell EPDM and silicone gasketing along lens channel and end caps. TGIC polyester powder coat finished – 5-step pre-treatment. See Ordering Information for available finishes.

OPTIC: UV-Stabilized, high-efficiency diffused polycarbonate or high-performance, impact-modified diffused acrylic material options. Lens securely positioned in body channels and endcaps, locked into place with concealed, tamper-resistant Torx ® T-20 with center pin fasteners.

LED MODULE: Serviceable mid-power LED array. Light output specified in lumens per foot for consistent light output across luminaires in various length configurations. Minimum 80 CRI standard (R9>0), optional 90CRI (R9>50). Maximum three-step MacAdam ellipse variation. See Ordering Information for available color temperature options.

DRIVER: 120-277VAC or 347VAC, 50/60Hz electrical input with serviceable constant-current driver (<20% THD, >0.90 PF). Minimum 85% driver efficiency. Standard 0-10V dimming with 1-100% range and dim-to-dark capabilities (non dim-to-dark with 347V); maximum 165 µA maximum source current. Optional eldoLED ECOdrive DALI drivers with 1-100% range.

CONTROLS: TEKLINK™ TL50DM is an independent lighting control system integral to the luminaire, featuring its own embedded occupancy sensor and adjustable time-out/dimming settings and a closed-loop daylight harvesting function for maximum energy savings. TEKLINK TL200M is a wireless, zonal occupancy control Bluetooth® Low Energy system (BLE v5.2) with embedded sensor. Mobile app for Android and iOS device allows changes to time-out period, turn-off delay and light level. System commissioning is not required - network is operational upon power-up. MS OPTION: Optional embedded microwave motion sensor mounted behind the diffuser. Remote adjustment for dim level, timeout period and sensor sensitivity settings. Factory default is 30% dimming and 20min. timeout. Sensor operates at 5.8 GHz (continuous-wave radar) and provides 360° coverage at various mounting heights and coverage areas.

INSTALLATION: Surface ceiling, vertical or horizontal wall, corner mount (CMB) or suspended pendant mounting (PM). Standard four-point mounting (two-point on 2' and 3' fixtures) required for Peace of Mind Guarantee®. Suitable for -30°C to 40°C ambient environments, unless otherwise noted.

PHOTOMETRICS: Photometry tested to the IESNA LM-79-08 standard by an ILAC/ISO17025 accredited laboratory. For additional photometric data, please go to www.kenall.com.

WARRANTY: Limited ten (10) year LED warranty. [Peace of Mind Guarantee against breakage.](#)

LISTINGS: Luminaire is certified to UL Standards by Intertek Testing Laboratory for Wet Location – covered ceiling mount. Corner, horizontal wall, vertical wall and pendant mount installation – Damp Location only. ETL certified IP64 in compliance with IEC 60598 – ceiling mount. ADA compliant. Luminaire tested to an IK10 impact protection rating per IEC 60068-2-75:1997-08.



ORDERING INFORMATION (Ex: MLHA3-48-F-MW-FA-1000LF-35K8-DIM1-DV-FS)

Model	Length	End Cap	Finish	Lens	Lumen Output	Lamp Color	Driver Type	Voltage	Options	Accessories	TekLink
MLHA3											
	Length				Lumen Output				Input Voltage		
	24	2' Nominal			800LF	800 lumens/foot			DV	120-277 VAC, 50/60Hz	
	36	3' Nominal			1000LF	1000 lumens/foot			347	347 VAC, 60Hz	
	48	4' Nominal			1200LF	1200 lumens/foot					
	72	6' Nominal			1400LF	1400 lumens/foot					
	96	8' Nominal			XXXXLF	Custom Output (consult factory, 1399LF max)					
	End Cap Style				Lamp Color				Options		
	F	Flat			30K8	3000K / 80CRI min			LEL*	Integral 10W Emergency Battery Backup (n/a with 2' and 3' length or 347V input, 0°C/32°F min. ambient temp)	
	R	Rounded			35K8	3500K / 80CRI min			CDF	Captive Diffuser Fasteners	
					35K9	3500K / 90CRI min			DL	Damp Location	
	Finish Type				40K8	4000K / 80CRI min			FS	Single Fuse & Holder	
	MW	Matte White			40K9	4000K / 90CRI min			NAT	Suitable for Natatorium Environments	
	LG	Light Gray			50K8	5000K / 80CRI min			MS*	Embedded Motion Sensor (n/a in conjunction with LEL)	
	MB	Matte Black			CCTx	Custom Lamp Color Spec (consult factory)			PH	Phillips Head Fasteners	
	CC	Custom Color (Consult Factory)							PM§	Pendant Mount (max 3/8" NPT stems, by others; Damp Location rated)	
	Lens Type				Driver Type				Accessories		
	PP	Diffused Polycarbonate			DIM1	0-10V Dimming to 1% with Dim-to-Dark Capabilities			CMB§	Corner Mount Bracket Kit (Must be ordered with DL Option)	
	FA	Frost DR Acrylic			DALI*	DALI Dimming to 1% without Dim-to-Dark Capabilities			TekLink		
									TL50DM	Non-Networked Control - Daylight Harvesting and Motion Sensing (Click here for specifications)	
									TL200M	Wireless Networked Control with Motion Sensing (Click here for specifications)	

§ PM and CMB not available in conjunction
 * n/a 347V input
 ▲ n/a 347V input. n/a in 96" fixture with 1400LF



MILLENIUM STRETCH™

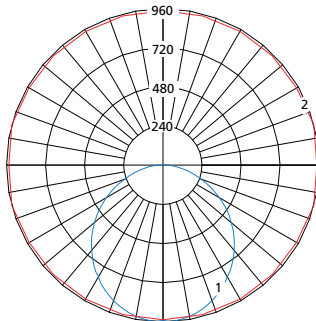
MLHA3 SERIES

PERFORMANCE

Lens Type	Nominal Lumen Output	Initial Delivered Lumens per Foot, by Lamp Color (lm/ft)						Efficacy (lm/W)	Unit Input Power (W/ft)	TM-21 Reported L70 (hrs)
		30K8	35K8	35K9	40K8	40K9	50K8			
PP	800LF	780	788	669	816	689	824	101 - 131	6	>72,000
	1000LF	964	974	827	1,008	852	1,018	100 - 131	8	
	1200LF	1,167	1,179	1,001	1,220	1,031	1,232	101 - 131	10	
	1400LF	1,345	1,358	1,153	1,406	1,188	1,420	100 - 131	11	
FA	800LF	781	788	670	816	689	824	114 - 145	6	>72,000
	1000LF	968	978	831	1,013	855	1,022	110 - 144	8	
	1200LF	1,161	1,173	996	1,214	1,026	1,226	113 - 145	9	
	1400LF	1,337	1,351	1,147	1,398	1,181	1,412	110 - 143	10	

NOTE: Nominal Lumen Output values based on 40K8 lamp color. Information subject to change without notice. Visit www.kenall.com for IES files and additional information.

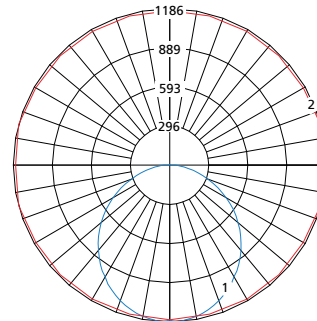
Model: MLHA3-48-s-tt-PP-800LF-40K8-DIM1-yyy-zzz



Maximum Candela = 960 Located At Horizontal Angle = 15, Vertical Angle = 2.5

- 1 - Vertical Plane Through Horizontal Angles (15-195) (Through Max. Cd.)
- 2 - Horizontal Cone Through Vertical Angle (2.5) (Through Max. Cd.)

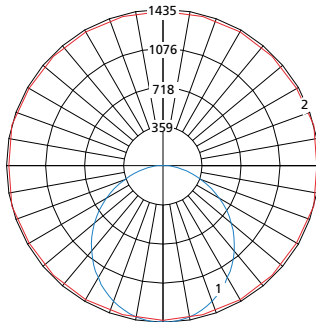
Model: MLHA3-48-s-tt-PP-1000LF-40K8-DIM1-yyy-zzz



Maximum Candela = 1186 Located At Horizontal Angle = 15, Vertical Angle = 5

- 1 - Vertical Plane Through Horizontal Angles (15-195) (Through Max. Cd.)
- 2 - Horizontal Cone Through Vertical Angle (5) (Through Max. Cd.)

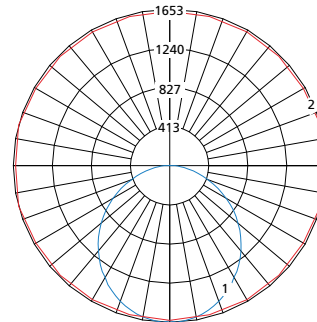
Model: MLHA3-48-s-tt-PP-1200LF-40K8-DIM1-yyy-zzz



Maximum Candela = 1435 Located At Horizontal Angle = 15, Vertical Angle = 2.5

- 1 - Vertical Plane Through Horizontal Angles (15-195) (Through Max. Cd.)
- 2 - Horizontal Cone Through Vertical Angle (2.5) (Through Max. Cd.)

Model: MLHA3-48-s-tt-PP-1400LF-40K8-DIM1-yyy-zzz



Maximum Candela = 1653 Located At Horizontal Angle = 15, Vertical Angle = 5

- 1 - Vertical Plane Through Horizontal Angles (15-195) (Through Max. Cd.)
- 2 - Horizontal Cone Through Vertical Angle (5) (Through Max. Cd.)



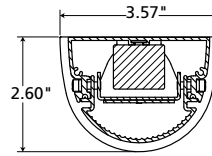
MILLENIUM STRETCH™

MLHA3 SERIES

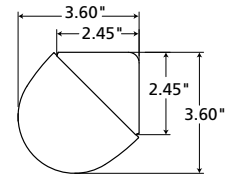
DIMENSIONAL DATA

Nominal Length	End cap	A	B	C	D	E
2-foot	F	25.278	5.139	20.000	-	20.000
	R	26.430	5.715	20.000	-	20.000
2-foot with MS option	F	27.528	6.264	20.000	-	20.000
	R	28.680	6.840	20.000	-	20.000
3-foot	F	37.278	18.639	32.000	-	32.000
	R	38.430	19.215	32.000	-	32.000
3-foot with MS option	F	39.278	19.639	32.000	-	32.000
	R	40.430	20.215	32.000	-	32.000
4-foot	F	47.528	23.764	44.000	6.000	41.000
	R	48.680	24.340	44.000	6.000	41.000
4-foot with MS option	F	49.528	24.764	44.000	6.000	41.000
	R	50.680	25.340	44.000	6.000	41.000
6-foot	F	71.278	35.639	60.000	8.000	65.000
	R	72.430	36.215	60.000	8.000	65.000
6-foot with MS option	F	73.278	36.639	60.000	8.000	65.000
	R	74.430	37.215	60.000	8.000	65.000
8-foot	F	91.778	45.889	84.000	20.000	84.000
	R	92.930	46.465	84.000	20.000	84.000
8-foot with MS option	F	93.778	46.889	84.000	20.000	84.000
	R	94.930	47.465	84.000	20.000	84.000

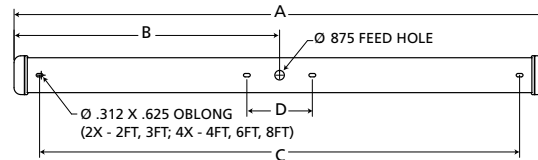
CROSS SECTION/DETAILS



CORNER MOUNT BRACKET (OPTIONAL)



SURFACE MOUNTING HOLES



PM OPTION

