

MEDMASTER® MEDSLOT™

Luminaires for MRI Rooms

MRIRS4 SERIES

PRODUCT FEATURES:

- » 4" recessed linear slot luminaire in multiple lengths
- » Non-ferrous construction and remote power supplies provide safe operating conditions for MRI machines, medical imaging equipment and other magnetically sensitive apparatus
- » NSF2 rating for ease of wipe-down cleaning
- » No visible room-side fasteners for clean aesthetic
- » High-output, high-CRI LED lamp sources



SPECIFICATIONS

HOUSING: Extruded 6063-T5 aluminum construction with aluminum endcaps. Low-gloss anti-microbial white TGIC polyester powder-coat finish with five-stage pre-treatment. Non-ferrous components and hardware.

OPTIC: Symmetric (Lambertian) distribution. Snap-in, one-piece extruded frosted DR acrylic diffuser.

LED MODULE: Serviceable mid-power LED array. Minimum 80 CRI standard (R9>20). See Ordering Information for available color temperature options.

DRIVER: Luminaire input 24VDC from remote-located 120-277VAC, high-power-factor power supply with EMI filter. Dimming line EMI filter required if utilizing dimming function. Internal non-switch mode DC-DC driver. Standard 0-10V dimming with 1-100% range and dim-to-dark capabilities. See below for ordering information.

INSTALLATION: Suitable for Type-IC recessed ceiling installation into 9/16" and 15/16" lay-in and tegular grid ceilings, flanged drywall ceilings and trimless mud-in installations with 5/8" drywall. All power and signal wiring must be in completely grounded aluminum conduit. Light engine and internal driver are replaceable post-installation. MRI room EMI filters required (see Accessories below). Suitable for 0°C to 25°C ambient temperature environments.

PHOTOMETRICS: Photometry tested to the IESNA LM-79-08 standard by an ILAC/ISO17025 accredited laboratory. For detailed photometric information, please visit www.kenall.com.

WARRANTY: Limited five (5) year warranty.

LISTINGS: Luminaire is certified to UL standards by Intertek Testing Laboratories for Type-IC and Wet Location installations. IP65 rating per IEC60598. NSF2 Splash/Non-Food Zone rated. Standard CCEA compliance. Meets FED-STD-209E/Class 1 (ISO 3) Cleanrooms. Compliant with MIL-STD 461G for radiated and conducted emissions.



ORDERING INFORMATION (Ex: MRIRS4-48-G-SYM-750LF-35K9-DIM1-24V)

Model	Length	Ceiling Configuration	Optical Distribution	Lumen Output	Lamp Color	Driver Type	Voltage
MRIRS4			SYM			DIM1	24V
	Nominal Length			Lumen Output		Driver Type	
	24 2'			450LF 450 lumens/ft		DIM1 0-10V Dimming to 1% with Dim-to-Dark	
	48 4'			750LF 750 lumens/ft			
	96 8'			1000LF 1000 lumens/ft		Input Voltage	
		Ceiling Configuration		Lamp Color		24V 24VDC Input	
		G 9/16" and 15/16" Lay-In Grid		30K8 3000K / 80 CRI min.			
		TG 9/16" and 15/16" Tegular Grid		30K9 3000K / 90 CRI min.			
		FL Flange		35K8 3500K / 80 CRI min.			
		TM Trimless Mud-In for 5/8" Drywall		35K9 3500K / 90 CRI min.			
				40K8 4000K / 80 CRI min.			
				40K9 4000K / 90 CRI min.			
		Optical Distribution					
		SYM Symmetric					

ACCESSORIES ORDERED SEPARATELY
MRIPSF Remote Power Supply with EMI Filter (click [here](#) for specifications)
MRIFD-1A Dimming Filter (one per dimming circuit, click [here](#) for specifications)

MRI LUMINAIRE CONNECTION PER POWER SUPPLY

Length	Lamp Power	Amps/Luminaire	Max Luminaires per MRIPSF-480 Power Supply	Max Luminaires per MRIPSF-240 Power Supply	Max Luminaires per MRIPSF-120 Power Supply
24"	450LF	0.41	48	24	12
	750LF	0.66	30	15	7
	1000LF	0.93	21	10	5
48"	450LF	0.76	26	13	6
	750LF	1.29	15	7	3
	1000LF	1.83	10	5	2
96"	450LF	1.52	13	6	3
	750LF	2.58	7	3	1
	1000LF	3.66	5	2	1

NOTE: Multiple Kenall MRI product types may be powered from a single power supply/filter as long as the maximum current rating is not exceeded (20A - 480W, 10A - 240W, 5A - 120W)



MEDMASTER® MEDSLOT™

Luminaires for MRI Rooms

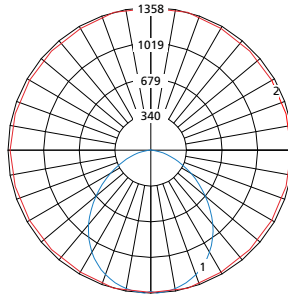
MRIRS4 SERIES

PERFORMANCE

Distribution Type	Nominal Lumen Output	Initial Delivered Lumens per Foot, by Lamp Color (lm/ft)						Efficacy (lm/W)	Unit Input Power (W/ft)	Estd. L70 LED Life (Hrs)
		30K8	30K9	35K8	35K9	40K8	40K9			
SYM	450LF	421	364	434	373	449	382	95 - 118	4	85,000
	750LF	695	601	716	615	741	631	93 - 114	6	
	1000LF	944	816	973	836	1,006	856	91 - 112	9	

Nominal Lumen Output values based on 40K8 lamp color. Information subject to change without notice. Visit www.kenall.com for IES files and additional information.

Model: MRIRS4-48-zz-SYM-750LF-40K8-DIM1-24V



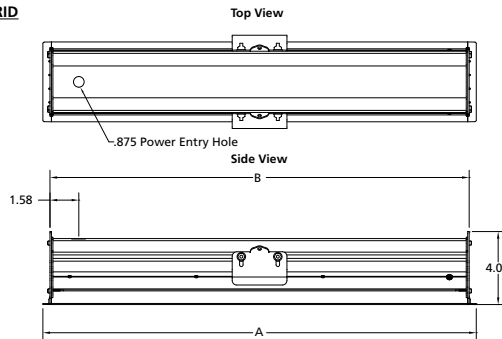
Maximum Candela = 1358 Located At Horizontal Angle = 75, Vertical Angle = 2.5

- 1 - Vertical Plane Through Horizontal Angles (75-255) (Through Max. Cd.)
- 2 - Horizontal Cone Through Vertical Angle (2.5) (Through Max. Cd.)

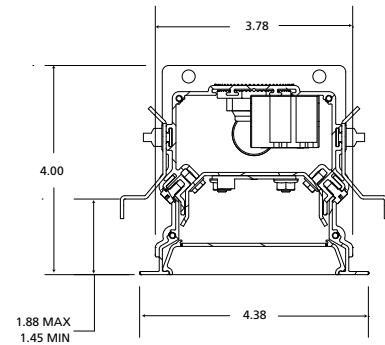
DIMENSIONAL DATA

Nominal Length	Ceiling Configuration	A	B
24	LAY-IN GRID	23.75"	22.97"
	TEGULAR	23.75"	22.97"
48	LAY-IN GRID	47.75"	46.97"
	TEGULAR	47.75"	46.97"
96	LAY-IN GRID	95.75"	94.97"
	TEGULAR	95.75"	94.97"

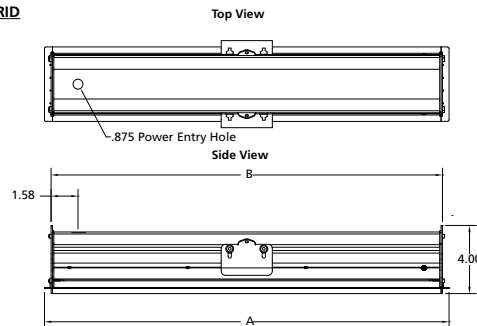
LAY-IN GRID



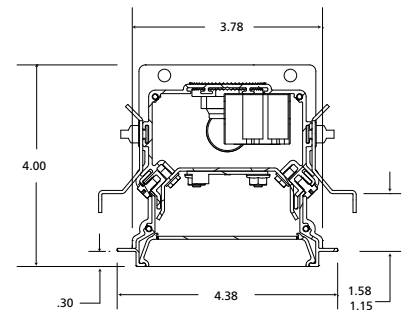
Cross Section



TEGULAR GRID



Cross Section



www.kenall.com | P: 800-4-Kenall | F: 262-891-9701 | 10200 55th Street Kenosha, Wisconsin 53144, USA

This product complies with the Buy American Act: manufactured in the United States with more than 50% of the component cost of US origin. It may be covered by patents found at www.kenall.com/patents. Content of specification sheets is subject to change; please consult www.kenall.com for current product details. ©2022 Kenall Mfg. Co.

A brand of **legrand**

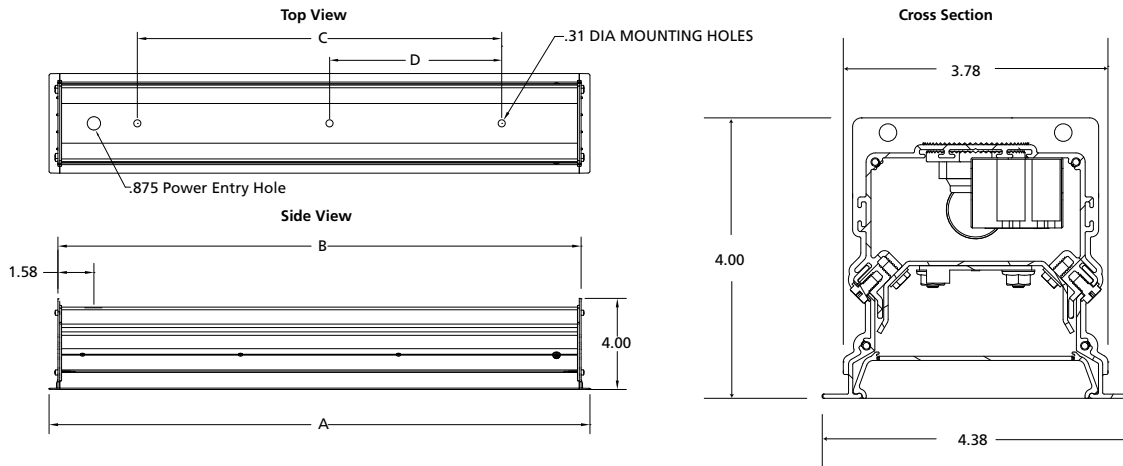
MEDMASTER® MEDSLOT™

Luminaires for MRI Rooms

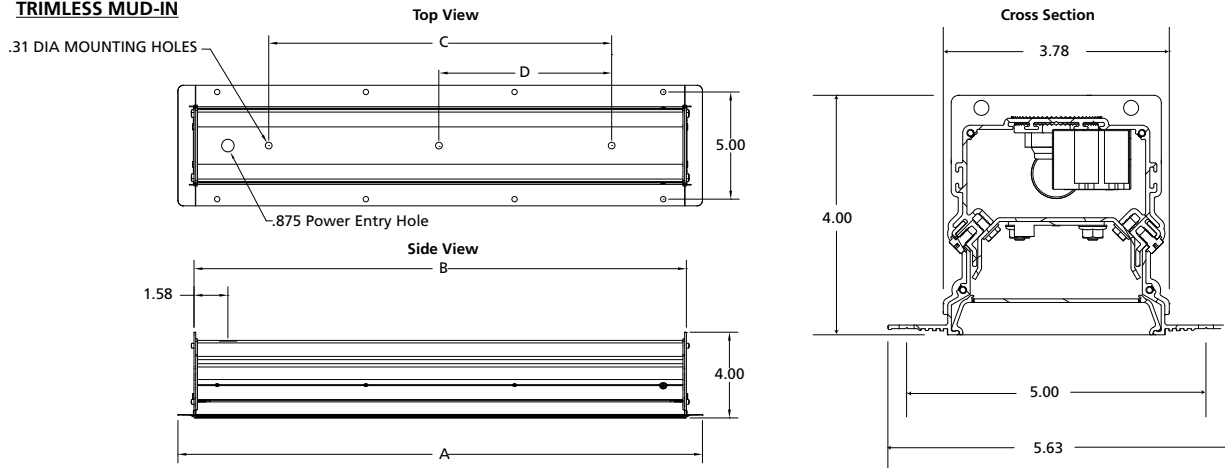
MRIRS4 SERIES

DIMENSIONAL DATA

FLANGE



TRIMLESS MUD-IN



Nominal Length	Ceiling Configuration	A	B	C	D	Ceiling Cut-Out
24	FLANGE	23.75"	22.97"	16.00"	----	3.875" x 23.25"
	TRIMLESS	24.47"	22.97"	16.00"	----	
48	FLANGE	47.75"	46.97"	40.00"	----	3.875" x 47.25"
	TRIMLESS	48.47"	46.97"	40.00"	----	
96	FLANGE	95.75"	94.97"	88.00"	44.00"	3.875" x 95.25"
	TRIMLESS	96.47"	94.97"	88.00"	44.00"	



www.kenall.com | P: 800-4-Kenall | F: 262-891-9701 | 10200 55th Street Kenosha, Wisconsin 53144, USA

This product complies with the Buy American Act: manufactured in the United States with more than 50% of the component cost of US origin. It may be covered by patents found at www.kenall.com/patents. Content of specification sheets is subject to change; please consult www.kenall.com for current product details. ©2022 Kenall Mfg. Co.

A brand of **legrand**