

RANGER™

R5 SERIES

PRODUCT FEATURES:

- » Surface mount – ceiling or wall; nominal 5"×24", 5"×48"
- » 20-gauge cold rolled steel baseplate with one-piece extruded clear prismatic acrylic lens
- » ADA compliant



PROJECT INFORMATION

Job Name _____

Fixture Type _____

Catalog Number _____

Approved by _____

SPECIFICATIONS

HOUSING: One-piece 20-gauge CRS baseplate and end caps. Baseplate provided with four-point (2 and 3 foot), six-point (4 foot) and eight-point (6 foot) mounting holes and one wireway hole – see Cross Section/Details. White TGIC polyester powder coat – 5-stage pre-treatment. Salt spray test: 1,000 hours; Reflectance: 92%. Baseplate/end caps mount flush to ceiling or wall surface.

LENS: Positioned in baseplate channels and retained with two white nylon fasteners. One-piece extruded clear prismatic impact blend acrylic.

SOCKETS: Shock-resistant sockets with internal locking collar to ensure positive lamp retention.

HARDWARE: Two white nylon fasteners secure lens in baseplate channel.

ELECTRICAL: LED: Available 3000K, 3500K, 4000K and 5000K color temperatures, 82 CRI. 120-277VAC and 347VAC, 50/60Hz electrical input with serviceable high power factor electronic, constant-current driver (<20% THD, >0.95 PF). Standard 0-10V dimming with 1-100% range and dim-to-dark capabilities (non dim-to-dark with 347V). Maximum driver source of 165 µA. LF: Class P ballasts. Fluorescent electronic 120/277/347 and dual voltage ballasts high power factor. One-lamp 90 minute nickel-cadmium battery pack (EL) includes inverter charger, test switch and charging indicator lamp – indoor use only.

SENSOR & CONTROLS: Optional sensor available with compatible third party controls. To see the full list of compatible controls, [click here](#).

INSTALLATION: Four-point (2 and 3 foot) and six-point (4 foot) mounting required for One Year Guarantee.

WARRANTY: Limited five (5) year warranty for LED lamps.

LISTINGS: UL and CUL listed for Damp Locations – wall and ceiling mount. See WL Option for Wet Locations, covered ceilings only. ADA Compliant.



ORDERING INFORMATION (Ex: R5-48-45L40K-DCC-1-DV)

Model	Length	Lamp Qty	Lamp Type	Ballast/Driver Type	Ballast/Driver Qty	Voltage	Options
R5							
Nominal Length		Lamp Quantity†		Ballast/Driver Type		Options	
24	2'	1	One Lamp	IS	Instant Start Electronic <10% THD (T8, T8HO)	AL	Marine Grade Aluminum Housing
48	4'	2	Two Lamps	RS	Rapid Start Electronic <10% THD (T8, T8HO, T5, T5HO)	PSS	Painted Stainless Steel Housing
		3	Three Lamps	SB	Specified Ballast	BSS	Brushed Stainless Steel Housing
			Lamp Type	DCC	0-10V Dimming LED Driver (LED only)	.156	.156" P12 Polycarbonate Lens
			2' Lengths			.187	.187" P12 Polycarbonate Lens
			25L30K	25 Watt 3000K LED		EL†	One-Lamp Indoor Battery Pack (32°F)
			25L35K	25 Watt 3500K LED	1	FS	Single Fuse & Holder
			25L40K	25 Watt 4000K LED	2†	KO	Two 1/2" EMT Conduit Entry Knockouts (one per end cap)
			25L50K	25 Watt 5000K LED		TR	Torx® T-20 with center pin fasteners
			17	F17T8		PM	Pendant Mount
			4' Lengths			WL	Wet Location Rating (covered ceiling only)
			45L30K	45 Watt 3000K LED			
			45L35K	45 Watt 3500K LED			
			45L40K	45 Watt 4000K LED			
			45L50K	45 Watt 5000K LED			
			28	F28T5			
			32	F32T8			
			54*	F54T5HO (n/a with 3 lamps)			
				Voltage			
				120	120 Volt		
				277	277 Volt		
				347	347 Volt		
				DV	120-277 Volts		
							* n/a with WL option
							† n/a with LED



www.kenall.com | P: 800-4-Kenall | F: 262-891-9700 | 10200 55th Street Kenosha, Wisconsin 53144, USA

A brand of **legrand**

This product complies with the Buy American Act: manufactured in the United States with more than 50% of the component cost of US origin. It may be covered by patents found at www.kenall.com/patents. Content of specification sheets is subject to change; please consult www.kenall.com for current product details. ©2023 Kenall Mfg. Co.

RANGER™

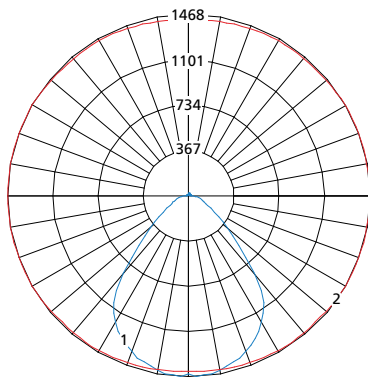
R5 SERIES

PERFORMANCE

Nominal Length	Lamp Type	Initial Delivered Lumens		Input Power (W)	Drive Current (mA)	Estd. L70 LED Life (Hrs)
		@ 25°C (lm)	Efficacy (lm/W)			
24	25L30K	3,144	108	29	117	80,000
	25L35K	3,241	112	29	117	80,000
	25L40K	3,352	116	29	117	80,000
	25L50K	3,581	123	29	117	80,000
48	45L30K	5,460	114	48	100	80,000
	45L35K	5,629	117	48	100	80,000
	45L40K	5,821	121	48	100	80,000
	45L50K	6,219	130	48	100	80,000

Information subject to change without notice. Photometry tested to the IESNA LM-79-08 standard by an ILAC/ISO17025 accredited laboratory. For photometric data, please go to www.kenall.com

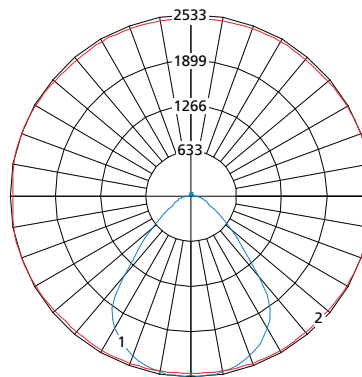
Model: R5-24-25L40K-DCC-1-DV



Maximum Candela = 1468 Located At Horizontal Angle = 15, Vertical Angle = 5

- 1 - Vertical Plane Through Horizontal Angles (15-195) (Through Max. Cd.)
- 2 - Horizontal Cone Through Vertical Angle (5) (Through Max. Cd.)

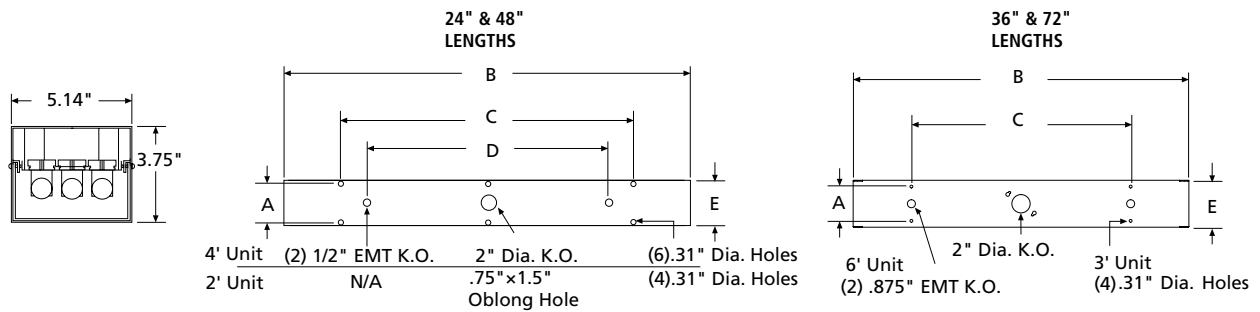
Model: R5-48-45L40K-DCC-1-DV



Maximum Candela = 2533 Located At Horizontal Angle = 15, Vertical Angle = 2.5

- 1 - Vertical Plane Through Horizontal Angles (15-195) (Through Max. Cd.)
- 2 - Horizontal Cone Through Vertical Angle (2.5) (Through Max. Cd.)

DIMENSIONAL DATA



DIMENSIONAL DATA (IN INCHES)

	A	B	C	D	E
R524	3.75	24.75	16.00	—	5.14
R548	3.75	48.75	32.00	24.00	5.14



www.kenall.com | P: 800-4-Kenall | F: 262-891-9700 | 10200 55th Street Kenosha, Wisconsin 53144, USA

A brand of **legrand**

This product complies with the Buy American Act: manufactured in the United States with more than 50% of the component cost of US origin. It may be covered by patents found at www.kenall.com/patents. Content of specification sheets is subject to change; please consult www.kenall.com for current product details. ©2023 Kenall Mfg. Co.