

ROUGH-HOUSE™

RHR15D SERIES

PRODUCT FEATURES:

- » Surface mount – ceiling or wall; nominal 15" Dia. x 5.50"D
- » .050" Aluminum housing
- » UV-Stabilized high impact polycarbonate lens
- » One year guarantee



PROJECT INFORMATION

Job Name _____

Fixture Type _____

Catalog Number _____

Approved by _____

SPECIFICATIONS

HOUSING: .050" aluminum. Housing provided with four-point mounting holes. Stainless steel internal lens retention brackets. Standard white exterior TGIC polyester powder coat finished – 5-step pre-treatment.

LENS: UV-stabilized, high impact resistant, injection molded polycarbonate. High efficiency blond fluted lens maximizes uniformity. Lens and housing secured with one concealed Torx® with center pin fastener.

ELECTRICAL: Available in 3500K, 4000K, and 5000K color temperatures, 80 CRI. 120-277VAC or 347VAC, 50/60Hz electrical input with high power factor electronic, constant-current driver (>.90 PF). Standard 0-10V dimming with 1-100% range; maximum driver source of 200 µA.

HARDWARE: One stainless steel Torx fastener.

INSTALLATION: Standard four-point mounting on 8.875" x 8.875" centers required for One Year Guarantee.

PHOTOMETRICS: Photometry tested to the IESNA LM-79-08 standard by an ILAC/ISO17025 accredited laboratory. For additional photometric data, please go to www.kenall.com.

WARRANTY: Limited five (5) year LED warranty.

LISTINGS: Luminaire is certified to UL Standards by Intertek Testing Laboratory for Damp Location.



ORDERING INFORMATION (Ex: RHR15D-W-PP-25L40K-DV)

Model	Finish	Lens Type	Lamp Type	Voltage	Options
RHR15D	W	PP			
	Finish W White	Lens Type PP Pearlescent Polycarbonate	Lamp Type 15L35K 15 Watt 3500K LED 15L40K 15 Watt 4000K LED 15L50K 15 Watt 5000K LED 25L35K 25 Watt 3500K LED 25L40K 25 Watt 4000K LED 25L50K 25 Watt 5000K LED	Voltage 347 347 Volts DV 120-277 Volts	Options FS Single Fuse & Holder PH Phillips Head Lens Retention Screw SC Surface Conduit Housing (Supplied with (2) .875" K.O.s)



www.kenall.com | P: 800-4-Kenall | F: 262-891-9701 | 10200 55th Street Kenosha, Wisconsin 53144, USA

This product complies with the Buy American Act: manufactured in the United States with more than 50% of the component cost of US origin. It may be covered by patents found at www.kenall.com/patents. Content of specification sheets is subject to change; please consult www.kenall.com for current product details. ©2019 Kenall Mfg. Co.

A brand of Legrand

RHR15D-100918

ROUGH-HOUSE™

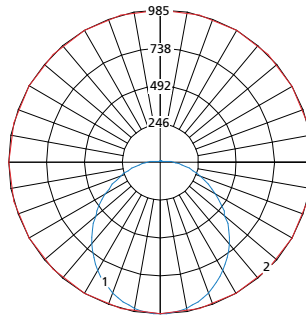
RHR15D SERIES

PERFORMANCE

Lamp Type	Initial Delivered Lumens		Input Power (W)	Drive Current (mA)	Estd. L70 LED Life (Hrs)
	@ 25°C	Efficacy (lm/W)			
15L35K	2,006	103	19	75	85,000
15L40K	2,006	103	19	75	85,000
15L50K	2,187	113	19	75	85,000
25L35K	2,941	101	29	63	65,000
25L40K	2,941	101	29	63	65,000
25L50K	3,206	110	29	63	65,000

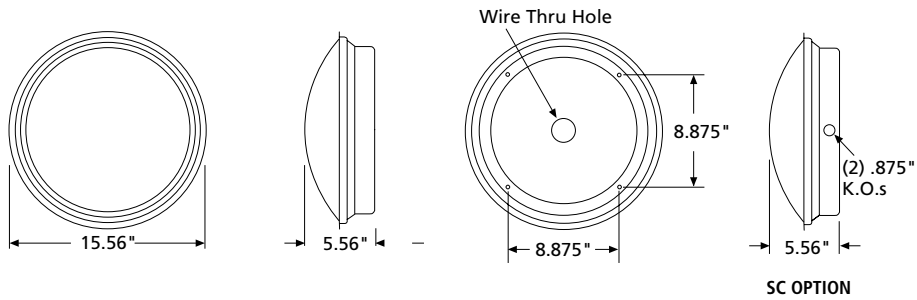
Information subject to change. Visit www.kenall.com for IES files and additional information.

Model: RHR15D-W-PP-25L40K-DV



Max Candela = 985 Located At Horizontal Angle = 0, Vertical Angle = 0
 1 - Vertical Plane Through Horizontal Angles (0-180) (Through Max. Cd.)
 2 - Horizontal Cone Through Vertical Angle (0) (Through Max. Cd.)

DIMENSIONAL DATA



www.kenall.com | P: 800-4-Kenall | F: 262-891-9701 | 10200 55th Street Kenosha, Wisconsin 53144, USA

This product complies with the Buy American Act: manufactured in the United States with more than 50% of the component cost of US origin. It may be covered by patents found at www.kenall.com/patents. Content of specification sheets is subject to change; please consult www.kenall.com for current product details. ©2019 Kenall Mfg. Co.

A brand of Legrand