

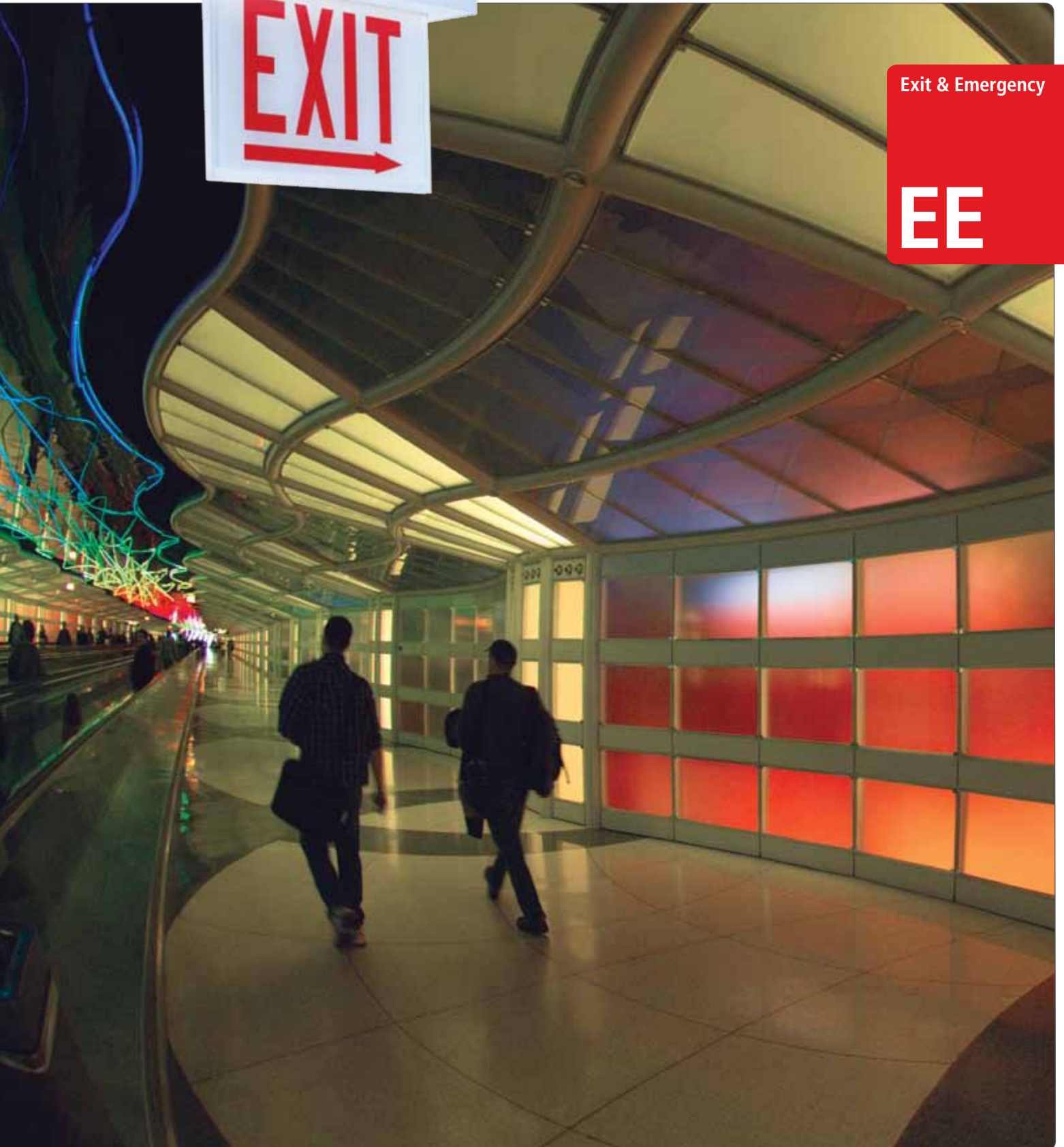
CHICAGO APPROVED SIGNAGE

Approved for Use in the City of Chicago



Exit & Emergency

EE



Chicago Approved



LED

Chicago Approved Exit Signs

When selecting emergency egress lighting in Chicago, all signage must be approved by the Chicago Department of Buildings and Chicago Fire Department. Kenall's CAE Series exit signs have Chicago's "Stamp of Approval" for use in all city buildings.

- Edge-lit LED
- 50,000 hour LED life
- Beveled edges with silver reflector bottom edge for improved uniformity
- Red lettering on White background
- Single and double faced panels available
- Surface, recessed or pendant mounting options
- Tool-less access to LED board
- Emergency battery option
- Meets or exceeds UL924 & NFPA101 standards
- CCEA approved



Flexible Mounting for Any Application

Easy to install and maintain, Kenall's CAE Series provides flexible mounting options with multiple knockouts, adjustable hangar brackets, and tool-less access to the LED board. Appropriate for municipal buildings, offices, schools, parking garages and all public spaces where Chicago Approved exit signs are required.



Recessed Mount

Galvanized steel with adjustable hangar brackets. Removable access plate provides easy access for wiring to electrical connections.



Surface Mount

Cold-rolled steel with standard powder coat finish. Multiple knockouts on the back, ends and top allow for wall, ceiling or canopy mounting with an optional canopy plate.



www.kenall.com

P: 800-4-Kenall

F: 847-360-1781

1020 Lakeside Drive Gurnee, Illinois 60031

Content of brochure is subject to change; please consult www.kenall.com for current product details. © 2014 Kenall Mfg. Co. All rights reserved.

Built to Comply with Chicago Building Codes

Kenall's CAE Series exit signs provide everything you need to ensure compliance with the City of Chicago including:



Internal edge-lit LEDs; LED lifetime of 50,000 hours

Clear acrylic panels with beveled edges

Red lettering; white panels

Silver reflectors bottom edge for improved uniformity

ORDERING INFORMATION (Ex: CAE-S-2-EX-L-DV-NC)

CAE	Mounting Type	Face	Legend Options	Legend Arrows	Voltage	DV	Options
	Mounting Type S Surface R Recessed		Legend Options EX EXIT STA STAIRS	Legend Arrows L Left R Right D Dual LR Universal Left/Right for Double Face N None	Voltage DV 120-277 Volts		Options NC NiCad Emergency Battery STM6* 6" Stem (Canopy supplied with Surface Mounting) STM36* 36" Stem (Canopy supplied with Surface Mounting)
	Faceplate 1 Single 2 Double						* Surface Mounting Type only



www.kenall.com

P: 800-4-Kenall

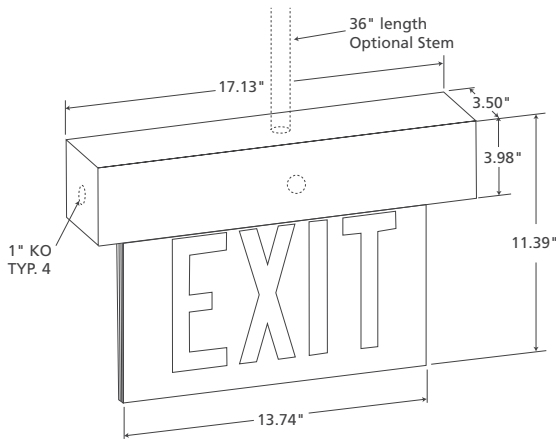
F: 847-360-1781

1020 Lakeside Drive Gurnee, Illinois 60031

Content of brochure is subject to change; please consult www.kenall.com for current product details. © 2014 Kenall Mfg. Co. All rights reserved.

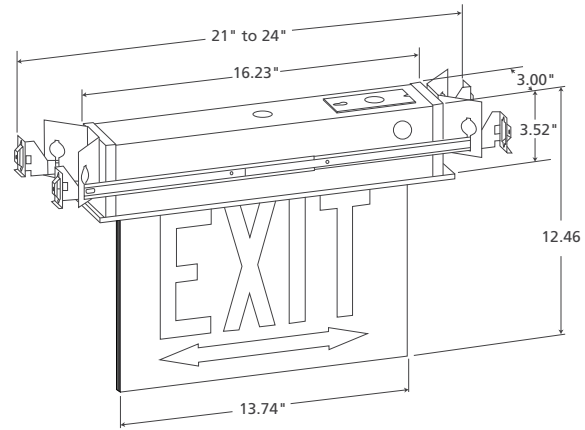
Exit Sign Dimensional Data

Surface Mount



Chicago Approved Exit Signs
(CAE Series)

Recessed Mount



Chicago Approved Exit Signs
(CAE Series)



www.kenall.com

P: 800-4-Kenall

F: 847-360-1781

1020 Lakeside Drive Gurnee, Illinois 60031

Content of brochure is subject to change; please consult www.kenall.com for current product details. © 2014 Kenall Mfg. Co. All rights reserved.



1020 Lakeside Drive
Gurnee, Illinois 60031
847-360-8200
FAX 847-360-1781
www.kenall.com

©2014 Kenall Mfg. Co.
All rights reserved.
L10060-080814