

EPLB SERIES – LED (16" & 22")

IMPORTANT SAFEGUARDS

When using electrical equipment, basic safety precautions should always be followed, including the following:

THIS PRODUCT MUST BE INSTALLED IN ACCORDANCE WITH THE APPLICABLE INSTALLATION CODE BY A PERSON FAMILIAR WITH THE CONSTRUCTION AND OPERATION OF THE PRODUCT AND THE HAZARDS INVOLVED. DISCONNECT POWER TO ALL CIRCUITS BEFORE WIRING FIXTURE. INSTALL IN ACCORDANCE WITH ALL NATIONAL, STATE, AND LOCAL CODES. DO NOT CONNECT TO AN UNGROUNDED SUPPLY. READ ALL FIXTURE MARKINGS AND LABELS TO ENSURE CORRECT INSTALLATION OF FIXTURE. SUPPLEMENTAL INSTRUCTIONS MAY BE LOCATED ON THE FIXTURE, IN ADDITION TO THIS INSTRUCTION SHEET, REGARDING ORIENTATION, OR MOUNTING RESTRICTIONS.

SAVE THESE INSTRUCTIONS

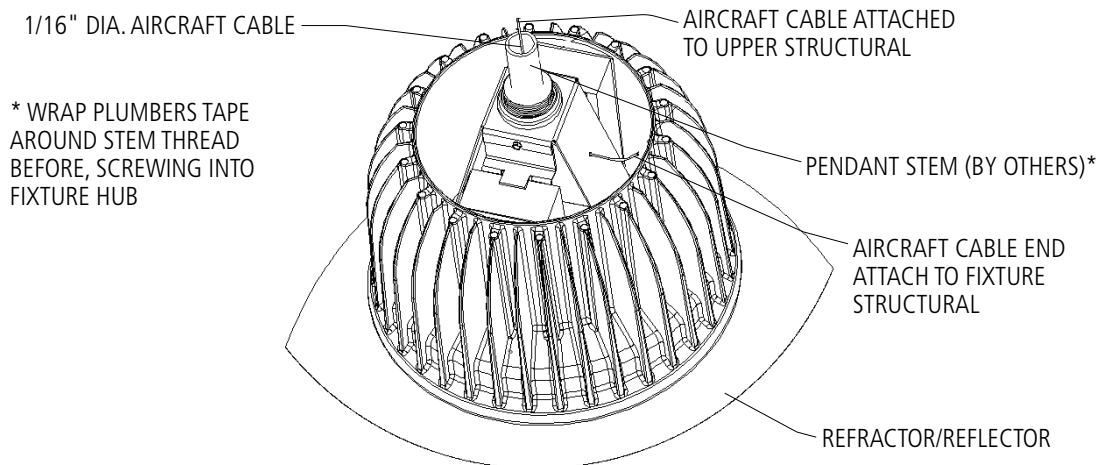
PRODUCT LABELING NOTICE:

Pull refractor away from housing to view product labeling, which is affixed to plate at top of refractor. For refractors that are not provided with a bottom lens, markings may be viewed through the bottom of the refractor.

SAFETY RECOMMENDATION

CAUTION: DO NOT REMOVE REFRACTOR/ REFLECTOR FROM HOUSING. IF SERVICE OR REPLACEMENT LED BOARD IS NEEDED, CONTACT FACTORY. LED BOARDS MUST BE HANDLED IN AN ESD PROTECTED AREA.

A 1/16" diameter aircraft cable (not included) is recommended for attaching the fixture structural to the upper structural. See Fig. 1



(TOP COVER REMOVED TO SHOW DETAILS) **FIGURE 1**

LOOP HANGER

1. Disconnect cord from luminaire.
2. Wire cord leads to power supply leads using connectors suitable for the gauge and number of wires being used. Black fixture lead connects to the supply conductor, white fixture lead connects to the neutral supply conductor, and the grounding wire must be connected to a suitable ground.
3. Hang luminaire by attaching to user supplied chain or cables.
4. Connect power cord.
5. As a safety recommendation, an additional 1/16" diameter aircraft cable (not included) should be used to attach the loop hanger and supporting structure.

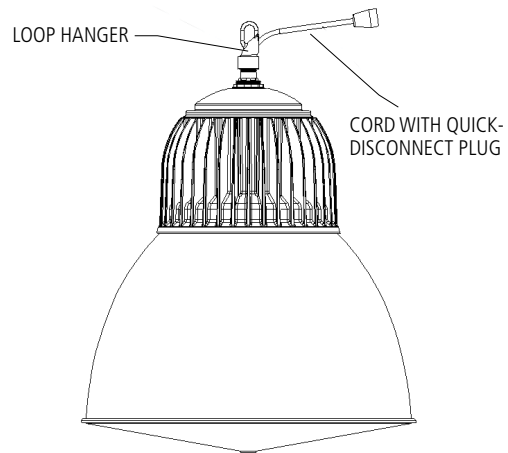


FIGURE 2

PENDANT MOUNT

1. Connect threaded hub from luminaire to rigid pendant stem. Pendant components by others.
2. Undo lock nut and slide housing/ cover up.
3. Install safety aircraft cable per Fig.1
4. Pull wires into the luminaire.
5. Wire luminaire leads to power supply leads using connectors suitable for the gauge and number of wires being used. Black fixture lead connects to the supply conductor, white fixture lead connects to the neutral supply conductor, and the grounding wire must be connected to a suitable ground.
6. Slide housing/ cover down and tighten lock nut.

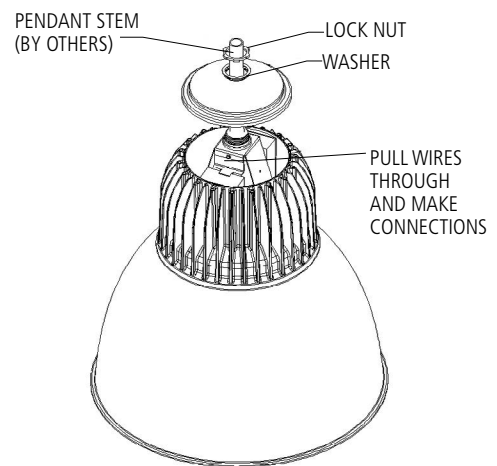


FIGURE 3

CUSTOMER SERVICE

For technical assistance, call 1-800-4KENALL (1-800-453-6255).

WARRANTY

For warranty information visit www.kenall.com/Resources/Certified-Performance-Warranties

