

**IMPORTANT SAFEGUARDS**

When using electrical equipment, basic safety precautions should always be followed, including the following:

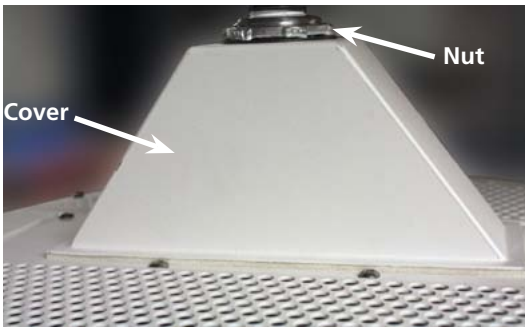
THIS PRODUCT MUST BE INSTALLED IN ACCORDANCE WITH THE APPLICABLE INSTALLATION CODE BY A PERSON FAMILIAR WITH THE CONSTRUCTION AND OPERATION OF THE PRODUCT AND THE HAZARDS INVOLVED. DISCONNECT POWER TO ALL CIRCUITS BEFORE WIRING FIXTURE. INSTALL IN ACCORDANCE WITH ALL NATIONAL, STATE, AND LOCAL CODES. DO NOT CONNECT TO AN UNGROUNDED SUPPLY. READ ALL FIXTURE MARKINGS AND LABELS TO ENSURE CORRECT INSTALLATION OF FIXTURE.

SUPPLEMENTAL INSTRUCTIONS MAY BE LOCATED ON THE FIXTURE, IN ADDITION TO THIS INSTRUCTION SHEET, REGARDING ORIENTATION, OR MOUNTING RESTRICTIONS.

**SAVE THESE INSTRUCTIONS**

**INSTALLATION INSTRUCTIONS**

**I. Pendant Mount Installation**



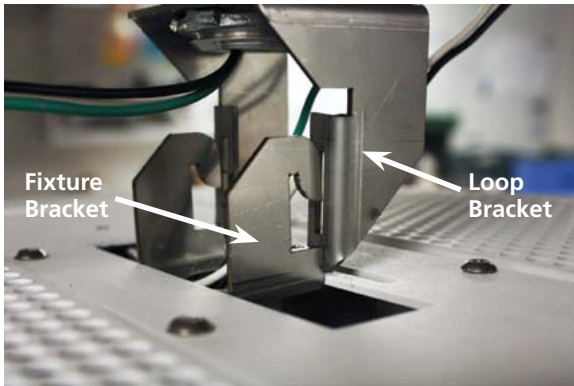
1. Remove cover by removing nut from fixture.



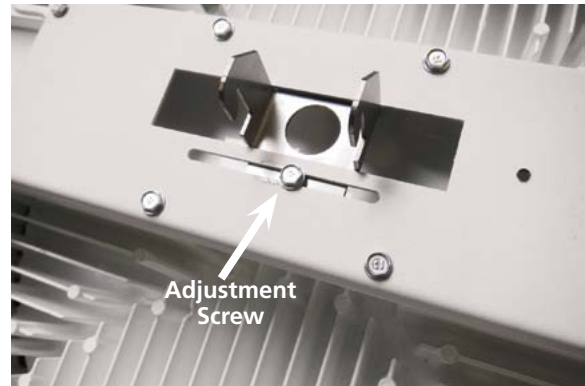
2. Slide the nut, washer and cover over the stem (stem supplied by others).



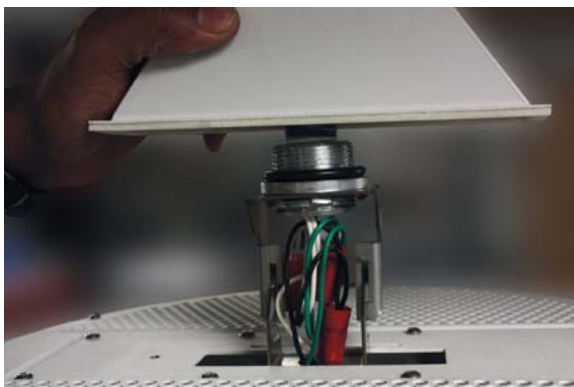
3. Fasten the hub to the stem.



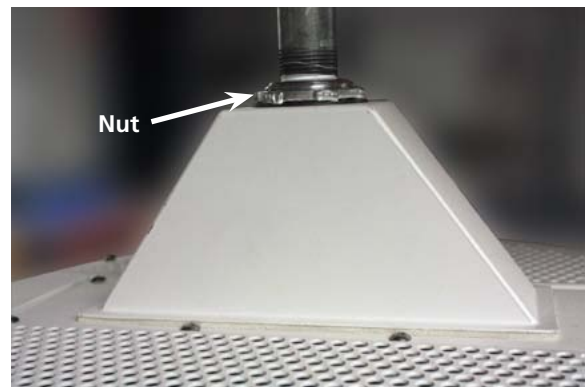
4. Hook loop bracket to fixture hanger bracket.



NOTE: Slide Adjustment Screw to level the fixture.



5. Make electrical connection, then slide cover down.

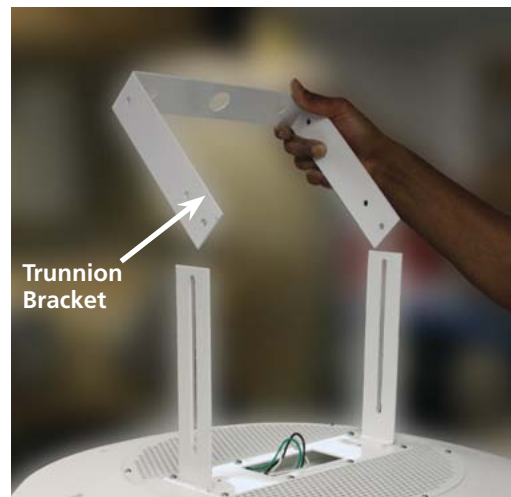


6. Fasten nut tightly over hub for water-tight seal.

### III. Trunnion Kit Installation



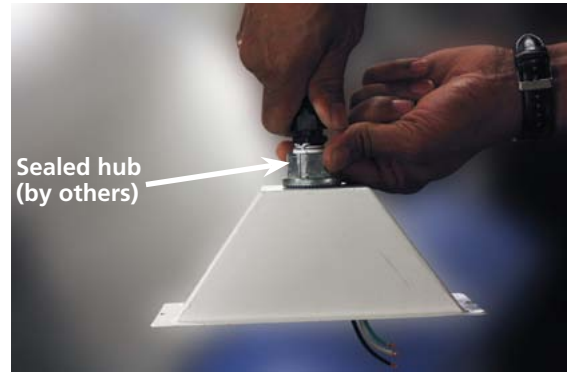
1. Remove the two (2) nuts holding the cover.



2. Remove the four (4) bolts holding trunnion bracket together.



3. Fasten the top bracket to the surface, using two (2) 5/16" bolts (supplied by others).



4. Attach 3/4" sealed hub (supplied by others) and conduit.



5. Make electrical connections.



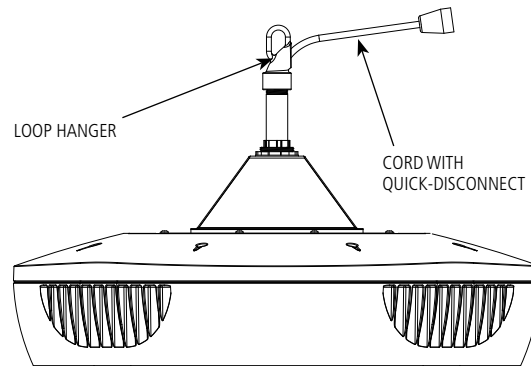
6. Fasten cover down.



7. Reattach the four (4) bolts to the trunnion bracket.

## LOOP HANGER INSTALLATION – HL (ATTACHED AT FACTORY)

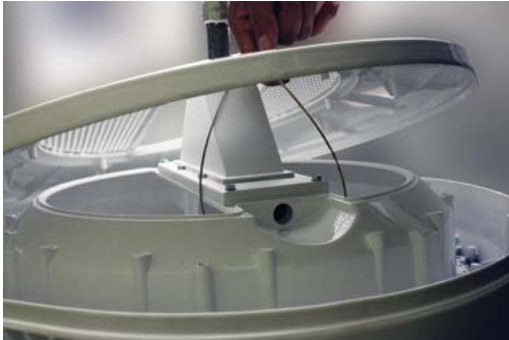
1. Wire cord leads to power supply leads using connectors suitable for the gauge and number of wires being used. Black fixture lead connects to the supply conductor, white fixture lead connects to the neutral supply conductor, and the grounding wire must be connected to a suitable ground.
2. Hang luminaire by attaching to user supplied chain or cables.
3. Connect power cord.
4. As a safety recommendation, an additional aircraft cable (not included) should be used to attach the loop hanger and supporting structure.



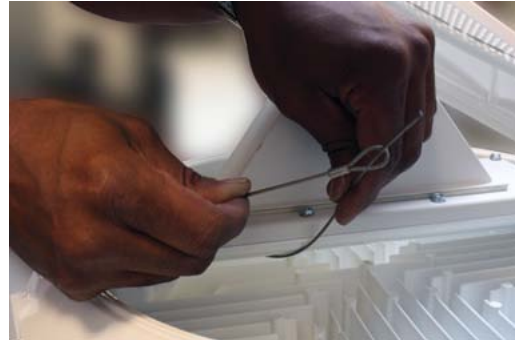
### SAFETY RECOMMENDATION

Aircraft cable (not included) is recommended for attaching the fixture structural to the upper structural.

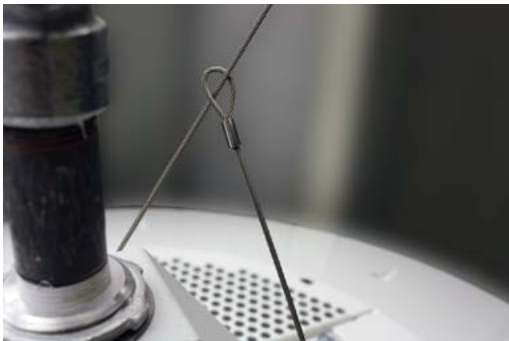
## II. Safety Cable Option



1. Remove screws and lift cover of fixture. Loop safety cable under center support.



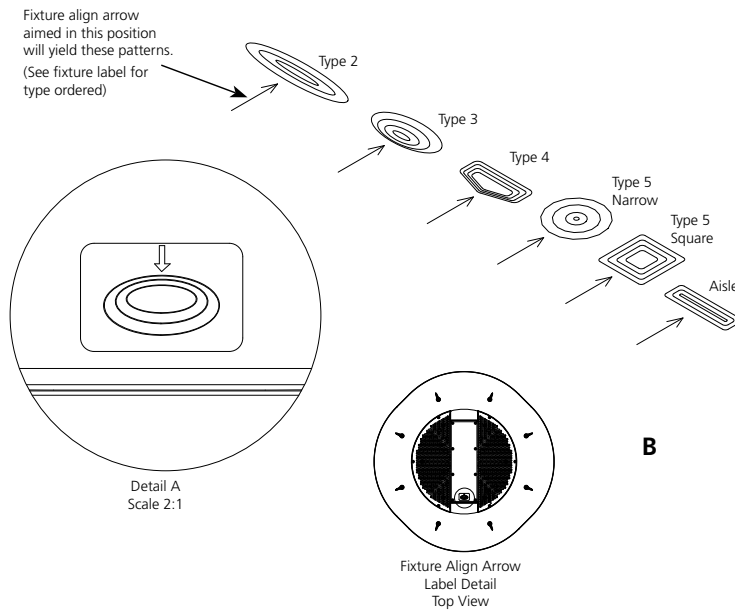
2. Send straight end through loop end of the safety cable.



3. Replace cover and secure the cable to the super-structure.



## Optic Alignment Key

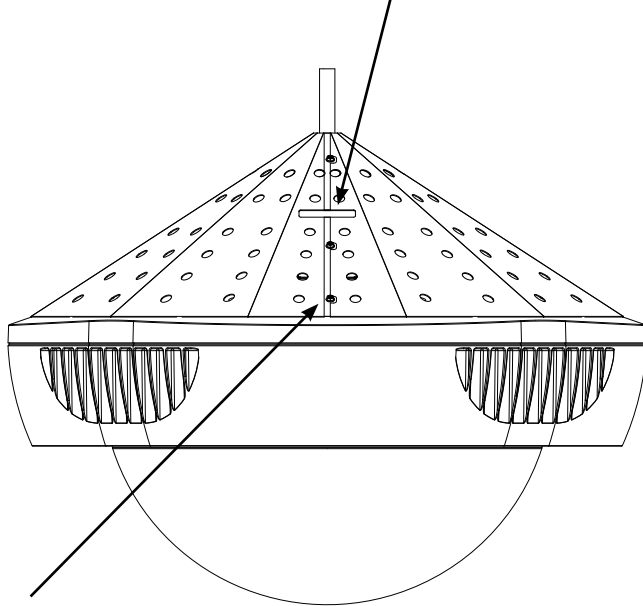


## BIRD GUARD INSTALLATION

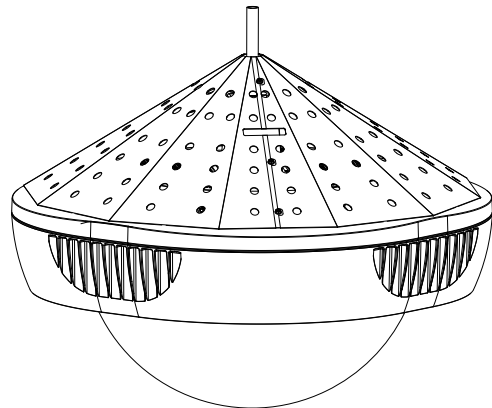
### PENDANT MOUNT & TRUNNION KIT

1. Bird Guard lays on top of casting.

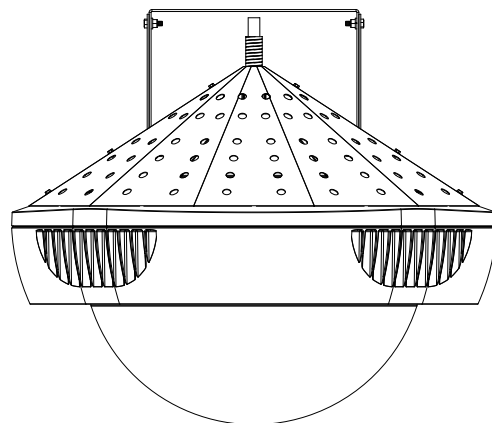
(For Trunnion Kit use slots)



2. Attach both sides with (4) screws provided.



Pendant Mount



Trunnion Kit



---

**CUSTOMER SERVICE**

---

For technical assistance, call 1-800-4KENALL (1-800-453-6255).

---

**WARRANTY**

---

This limited warranty is provided by Kenall (the Seller) to you (the Purchaser) as original purchaser of the LED lighting product. This limited warranty may be transferred to subsequent purchasers of the product as long as it is in its original packaging. Qualifying Kenall LED products shall be warranted by Kenall, for a period of ten (10) years from the date of manufacture, to be free of defects in workmanship, materials, LED lamps and internal power regulation components against defects that result in an excessive lumen depreciation, as defined by L70 Luminaire Lifetime (L70) or when at least 10% of the discrete LED sources fail to illuminate. L70 shall be defined as 70% of the published warranty luminous flux at time of manufacture using IESNA LM-79-08 testing methods.

Kenall reserves the right to issue a credit or to repair or replace the defective product, at its discretion, upon notification and confirmation by an authorized Kenall agent of the defect. Kenall also reserves the right to test and examine the product if the defect is questionable. This limited warranty will not apply to loss or damage caused by: any product alteration, mishandling, vandalism, civil disturbances, acts of God, electrical surge, improper electrical supply, fluctuations of electrical current or voltage, electrostatic discharge, natural or induced mechanical oscillation, corrosive environments or failure to follow applicable electrical codes. This warranty shall be void for luminaires installed into an application for which it is not intended, or intentionally damaged, or installed in abnormal environmental conditions as prescribed by Kenall. Accumulation of particulates on the optical surfaces shall not be factored into the lumen depreciation.

Kenall assumes no responsibility for labor or freight costs incurred in connection with the installation, removal or replacement of products determined to be defective. To the maximum extent permitted by applicable law, Kenall hereby disclaims all warranties and conditions, whether express, implied or statutory, including, but not limited to, merchantability or fitness for a particular purpose, other than those explicitly provided by Kenall hereunder.

To the maximum extent permitted by applicable law, Kenall shall, in no event, be liable for any special, incidental, indirect or consequential damages whatsoever, including, but not limited to, loss of profits. Kenall further reserves the right to change the terms of this warranty on future sales of Luminaires without prior notification and without incurring obligation and expressly disclaim all warranties not stated in this limited warranty.

