

CHICAGO APPROVED EXITS

CAE SERIES

PRODUCT FEATURES:

- » Chicago Approved
- » White Edge-lit LED
- » Tool-less access
- » Surface, Recessed or Pendant Mounting
- » Emergency Battery Option



PROJECT INFORMATION

Job Name _____

Fixture Type _____

Catalog Number _____

Approved by _____

SPECIFICATIONS

HOUSING: Surface mounting: 20 gauge cold rolled steel with standard white powder coat finish. Multiple knockouts on the back, ends and top allow for wall, ceiling or canopy mounting with optional canopy plate. Recessed mounting: 20 gauge galvanized steel with adjustable hanger brackets. Removable access plate provides access for wiring to electrical connections.

FACEPLATE: White silk screen backing on injected molded clear acrylic face. Beveled edges with silver reflector bottom edge for improved uniformity. Face ships installed into 18 gauge cold rolled steel faceplate with torsion springs for mounting to either housing.

LEGEND: 6" x .750" stroke red letters illuminated by internal edge-lit LEDs.

ELECTRICAL: White edge-lit LEDs. 120-277VAC. 50,000 L70 Lifetime hours.

OPTIONS: Sealed nickel-cadmium Emergency Battery Pack (EL) protected mechanical test switch and status indicator. Provides 120 minutes of emergency operation. The 120 minute Emergency Battery Pack (EL) is suitable for 10°C to 40°C. Stem and canopy available with surface mounting.

WARRANTY: Limited three (3) year warranty.

LISTINGS: Approved by the Chicago Fire Department and Chicago Department of Buildings. UL listed for Damp Location. Meets or exceeds UL924 and NFPA 101 standards. CCEA Approved.



FACEPLATE ORDERING INFORMATION (Ex: CAE-2-EX-LR)

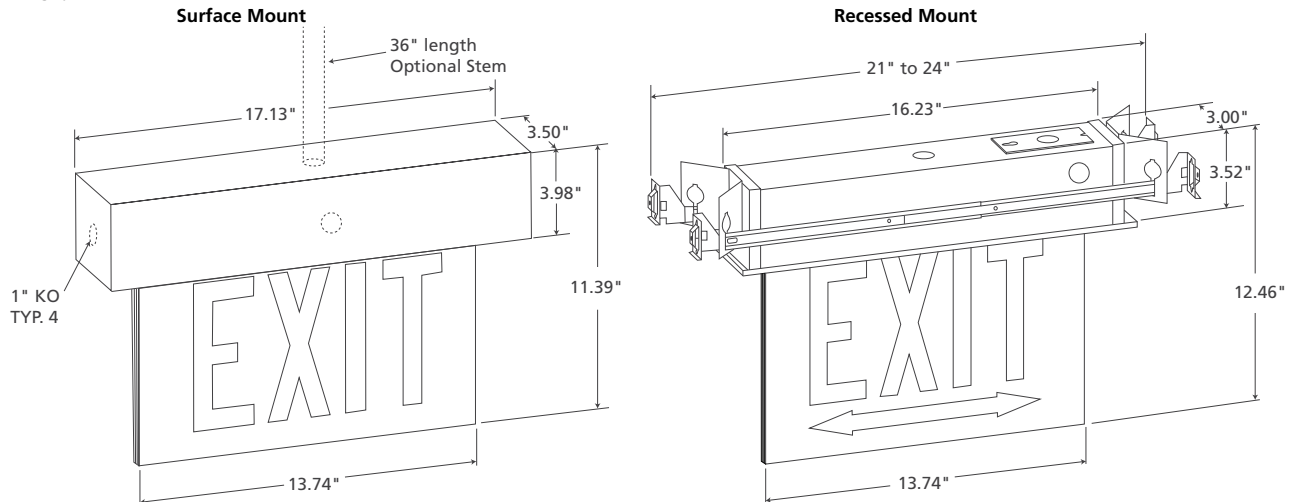
| Model | Faceplate | Legend Options | Legend Arrows |
|------------|--|--|--|
| CAE | Faceplate 1 Single 2 Double | Legend Options EX EXIT STA STAIRS | Legend Arrows L Left R Right D Dual LR Universal Left/Right for Double Face N None |

HOUSING ORDERING INFORMATION (Ex: CAE-S-DV-NC)

| Model | Mounting Type | Voltage | Options |
|------------|---|------------------------------------|--|
| CAE | Mounting Type S Surface R Recessed | Voltage DV 120-277 Volts | Options NC NiCad Emergency Battery STM6* 6" Stem (Canopy supplied with Surface Mounting) STM36* 36" Stem (Canopy supplied with Surface Mounting) |

* Surface Mounting Type only

DIMENSIONAL DATA



www.kenall.com

P: 800-4-Kenall

F: 847-360-1781

1020 Lakeside Drive Gurnee, Illinois 60031

Content of specification sheets is subject to change; please consult www.kenall.com for current product details. © 2014 Kenall Mfg. Co. All rights reserved.