

LUXTRAN™ Luminaires for Tunnel Applications

LTSI SERIES

PRODUCT FEATURES:

- » Powered by Integral Driver
- » Suitable for supplemental lighting in various tunnel zones with a ceiling or wall orientation
- » Optical configurations designed for tunnel lighting applications
- » Stainless steel structural construction with marine-grade aluminum heat sinks
- » ADA compliant for wall orientations
- » 10 Year limited product warranty



PROJECT INFORMATION

Job Name _____

Fixture Type _____

Catalog Number _____

Approved by _____

SPECIFICATIONS

CHASSIS: 16-gauge Type 304 or Type 316 stainless steel enclosure with one-piece, seam-welded construction; 2B finish; passivated post-welding. 14-gauge die-formed and welded mounting points; custom mounting detail to tunnel structure available.

HEAT SINKS: Type 413 marine-grade die-cast aluminum, coatings to withstand either 1,000 hour or 5,000 hour salt fog test per ASTM B117. Electrically insulated from stainless steel chassis.

DOORFRAME: 16-gauge Type 304 or Type 316 stainless steel doorframe with one-piece, seam-welded construction; 2B finish; passivated post-welding. Stainless steel safety cables attach to chassis. Lockable rotary latches (lock by others) constructed of matching grade stainless steel.

GASKETING: One-piece extruded silicone with molded corners.

OPTICS: Type II, Pro-Beam, Type IV, Type V-Narrow Round and Type V Square optical distributions. Clear tempered glass or polycarbonate lens.

ELECTRICAL: Serviceable high-brightness LED array. See Ordering Information for color temperature and CRI options. 70 CRI minimum. 120-277 or 277-480 VAC, 50/60Hz single-phase input; <20% THD, >0.90 PF. Minimum 90% electrical efficiency. Standard 0-10V dimming with 0-100% range. EMC compliant with FCC 47 CFR Part 15, Class B. Passes IEC 61000-4-4 EFT and IEC 61000-4-5 (Class 4) surge evaluation. Integral surge protector (standard). 3/4" conduit connection standard, 1/2" trade size optional.

INSTALLATION: Wall or ceiling orientation, see Ordering Information for selection. Mounting hardware provided by others. Conduit entry on back of luminaire. Ambient temperature rating is -40°C to 40°C (55°C on 192L/384L/396L).

PHOTOMETRICS: Photometry tested to the IESNA LM-79-08 standard by an ILAC/ISO17025 accredited laboratory. For additional photometric data, please go to www.kenall.com.

WARRANTY: Limited ten (10) year warranty.

LISTINGS: Luminaire is certified to UL Standards by Intertek Testing Laboratory for Wet Location. IP66 rating per IEC 60598. Rated to NEMA 4X. Luminaire is 3G vibration tested per ANSI C136.31. Passes ANSI C136.27-2012 qualification test. Build America, Buy America Act compliant.



ORDERING INFORMATION (Ex: LTSI-B2-C-SM-2-8-396L-50K7-DCC-277-304-5KF)

Model	Size Configuration	Mounting	Mounting Design	Dist. Type	Lens Type	Lamp Power	Lamp Color	Driver Type	Voltage	Housing Mtrl	Heat Sink Finish	Options
LTSI								DCC				

Size Configuration

A2 1x2 Module Array
B2 2x2 Module Array

Mounting

C Ceiling
W Wall

Mounting Design Detail

SM Standard Mounting Detail (as shown)
CM Custom/Project-Specific Mounting (consult factory)

Distribution Type

2 Type II
2A Type II A
PB Pro-Beam
4 Type IV – Forward Throw
5N Type V – Narrow Round
5S Type V – Square

Lens Type

8 .188" (.48 cm) Tempered Glass Lens
7 .187" (.47 cm) Clear Polycarbonate

Lamp Power - A2 Configuration

192L 192 Watt LED
295L 295 Watt LED
300L* 300 Watt LED
390L* 390 Watt LED
400L 400 Watt LED

Lamp Power - B2 Configuration

384L 384 Watt LED
396L* 396 Watt LED
590L 590 Watt LED
600L* 600 Watt LED
780L* 780 Watt LED
800L 800 Watt LED

Lamp Color

40K8 4000K / 80 CRI min.
40K7 4000K / 70 CRI min.
50K7 5000K / 70 CRI min.
57K7 5700K / 70 CRI min.

Driver Type

DCC Dimming Constant Current

Voltage

DV 120-277 VAC Nominal Range
CV 277-480 VAC Nominal Range

Housing Material

304 Type 304 Stainless Steel
316 Type 316 Stainless Steel

Heat Sink Finish

1KF 1,000 Hour Finish
5KF 5,000 Hour Finish

Options

F5 Single Fuse and Holder
CO 1/2" Conduit Connection

* Available with Type PB Optic only



www.kenall.com | P: 800-4-Kenall | F: 262-891-9700 | 10200 55th Street Kenosha, Wisconsin 53144, USA
This product is able to comply with the latest domestic preference legislation, such as the Buy American Act (BAA), Trade Agreement Act (TAA), Build America, Buy America Act (BABA), and others. It may be covered by patents found at www.kenall.com/patents. Content of specification sheets is subject to change; please consult www.kenall.com for current product details. ©2025 Kenall Mfg. Co.

A brand of **legrand**

LUXTRAN™ Luminaires for Tunnel Applications

LTSI SERIES

PERFORMANCE

Size Configuration	Lamp - Color Code	Initial Delivered Lumens (lm)					Efficacy (lm/W)	Input Power (W)	Estd. L70 LED Life (hrs)	50K Hours Lumen Maintenance factor @25°C
		Type 2	Type 2A	Type 4	Type 5N	Type 5S				
A2	192L-40K7	22,948	25,495	20,242	27,434	25,587	107 - 128	215	125,000	92%
	192L-50K7	22,948	25,495	20,242	27,434	25,587	107 - 128	215	125,000	92%
	192L-57K7	22,948	25,495	20,242	27,434	25,587	107 - 128	215	125,000	92%
	295L-40K7	30,797	n/a	33,115	36,817	34,339	95 - 113	325	110,000	85%
	295L-50K7	30,797	n/a	33,115	36,817	34,339	95 - 113	325	110,000	85%
	295L-57K7	30,797	n/a	33,115	36,817	34,339	95 - 113	325	110,000	85%
	400L-40K7	36,668	n/a	40,483	43,836	40,886	86 - 103	426	100,000	80%
	400L-50K7	36,668	n/a	40,483	43,836	40,886	86 - 103	426	100,000	80%
400L-57K7	36,668	n/a	40,483	43,836	40,886	86 - 103	426	100,000	80%	
B2	384L-40K7	47,269	52,515	40,484	56,509	52,706	110 - 132	429	125,000	92%
	384L-50K7	47,269	52,515	40,484	56,509	52,706	110 - 132	429	125,000	92%
	384L-57K7	47,269	52,515	40,484	56,509	52,706	110 - 132	429	125,000	92%
	590L-40K7	63,437	n/a	66,230	75,837	70,733	97 - 116	651	110,000	85%
	590L-50K7	63,437	n/a	66,230	75,837	70,733	97 - 116	651	110,000	85%
	590L-57K7	63,437	n/a	66,230	75,837	70,733	97 - 116	651	110,000	85%
	800L-40K7	75,531	n/a	80,966	90,295	84,218	89 - 106	853	100,000	80%
	800L-50K7	75,531	n/a	80,966	90,295	84,218	89 - 106	853	100,000	80%
800L-57K7	75,531	n/a	80,966	90,295	84,218	89 - 106	853	100,000	80%	

Size Configuration	Lamp - Color Code	Initial Delivered Lumens (lm)		Efficacy (lm/W)	Input Power (W)	Estd. L70 LED Life (hrs)	50K Hours Lumen Maintenance factor @25°C
		Type PB Distribution					
A2	300L-40K7	18,661		61	309	110,000	85%
	300L-50K7	19,884		65	309	110,000	85%
	300L-57K7	21,261		69	309	110,000	85%
	390L-40K7	23,844		56	427	100,000	80%
	390L-50K7	25,407		60	427	100,000	80%
	390L-57K7	27,166		64	427	100,000	80%
B2	396L-40K7	29,288		72	412	125,000	92%
	396L-50K7	31,209		76	412	125,000	92%
	396L-57K7	32,384		79	412	125,000	92%
	600L-40K7	37,321		61	618	110,000	85%
	600L-50K7	39,769		65	618	110,000	85%
	600L-57K7	42,522		69	618	110,000	85%
	780L-40K7	47,687		56	854	100,000	80%
	780L-50K7	50,814		60	854	100,000	80%
780L-57K7	54,332		64	854	100,000	80%	

Information above was tested with Type 8 tempered glass lens. Subject to change without notice. Visit www.kenall.com for IES files and additional information.

LUMEN AMBIENT TEMPERATURE (LAT) FACTORS

10°C	15°C	20°C	25°C	30°C	35°C	40°C
1.03	1.02	1.01	1.00	0.99	0.98	0.97



www.kenall.com | P: 800-4-Kenall | F: 262-891-9700 | 10200 55th Street Kenosha, Wisconsin 53144, USA
This product is able to comply with the latest domestic preference legislation, such as the Buy American Act (BAA), Trade Agreement Act (TAA), Build America, Buy America Act (BABA), and others. It may be covered by patents found at www.kenall.com/patents. Content of specification sheets is subject to change; please consult www.kenall.com for current product details. ©2025 Kenall Mfg. Co.

A brand of Legrand

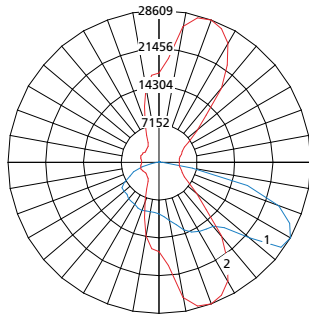
LUXTRAN™
Luminaires for Tunnel Applications

LTSI SERIES

PERFORMANCE

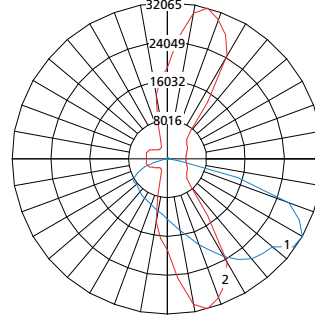
For additional photometry, go to www.kenall.com

Model: LTSI-2-384L-40K7



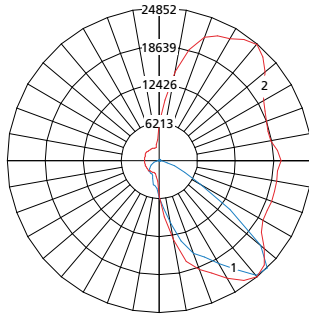
Max Candela = 28609 Located At Horizontal Angle = 70, Vertical Angle = 60
 1 - Vertical Plane Through Horizontal Angles (70 - 250) (Through Max. Cd.)
 2 - Horizontal Cone Through Vertical Angle (60) (Through Max. Cd.)

Model: LTSI-2A-384L-40K7



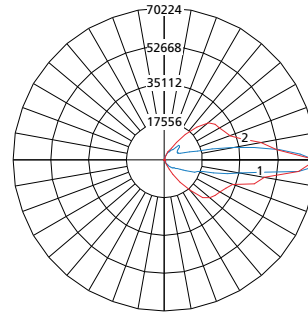
Max Candela = 32065 Located At Horizontal Angle = 75, Vertical Angle = 60
 1 - Vertical Plane Through Horizontal Angles (75 - 255) (Through Max. Cd.)
 2 - Horizontal Cone Through Vertical Angle (60) (Through Max. Cd.)

Model: LTSI-PB-396L-50K7



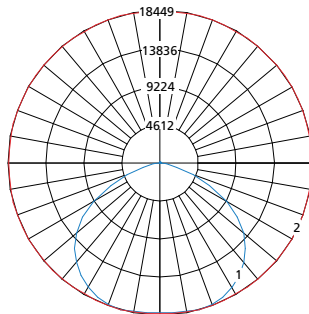
Max Candela = 24852 Located At Horizontal Angle = 310, Vertical Angle = 45
 1 - Vertical Plane Through Horizontal Angles (310 - 130) (Through Max. Cd.)
 2 - Horizontal Cone Through Vertical Angle (45) (Through Max. Cd.)

Model: LTSI-4-384L-40K7



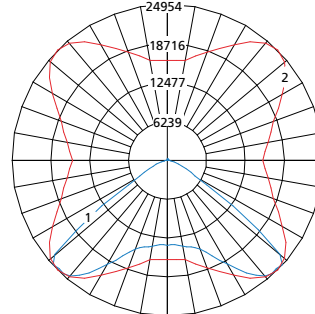
Max Candela = 70224 Located At Horizontal Angle = 0, Vertical Angle = 87.5
 1 - Vertical Plane Through Horizontal Angles (0 - 180) (Through Max. Cd.)
 2 - Horizontal Cone Through Vertical Angle (87.5) (Through Max. Cd.)

Model: LTSI-5N-384L-40K7



Max Candela = 18449 Located At Horizontal Angle = 75, Vertical Angle = 15
 1 - Vertical Plane Through Horizontal Angles (75 - 255) (Through Max. Cd.)
 2 - Horizontal Cone Through Vertical Angle (15) (Through Max. Cd.)

Model: LTSI-5S-384L-40K7



Max Candela = 24954 Located At Horizontal Angle = 45, Vertical Angle = 47.5
 1 - Vertical Plane Through Horizontal Angles (45 - 225) (Through Max. Cd.)
 2 - Horizontal Cone Through Vertical Angle (47.5) (Through Max. Cd.)



www.kenall.com | P: 800-4-Kenall | F: 262-891-9700 | 10200 55th Street Kenosha, Wisconsin 53144, USA
 This product is able to comply with the latest domestic preference legislation, such as the Buy American Act (BAA), Trade Agreement Act (TAA), Build America, Buy America Act (BABA), and others. It may be covered by patents found at www.kenall.com/patents. Content of specification sheets is subject to change; please consult www.kenall.com for current product details. ©2025 Kenall Mfg. Co.

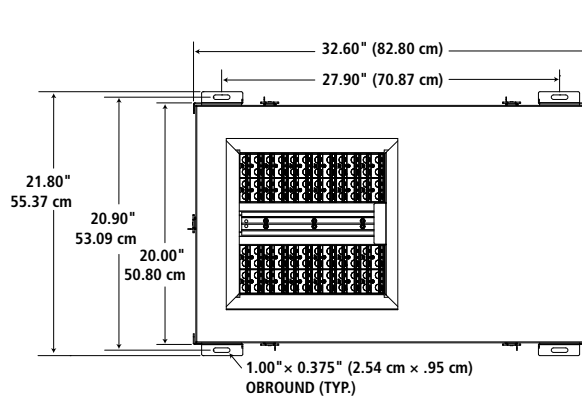
A brand of **legrand**

LUXTRAN™
Luminaires for Tunnel Applications

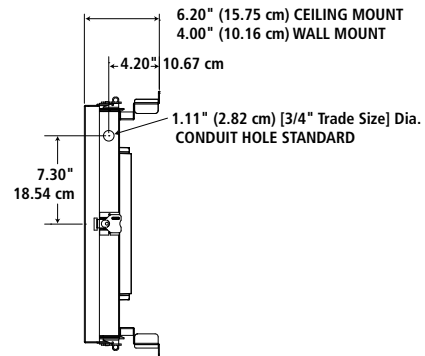
LTSI SERIES

DIMENSIONAL DATA

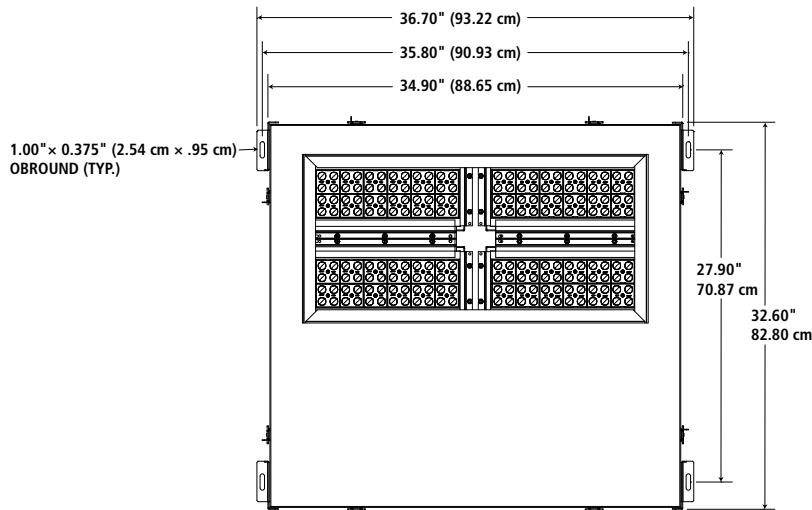
A2 FRONT VIEW



A2 SIDE VIEW



B2 FRONT VIEW



B2 BOTTOM VIEW

