

# MEDMASTER ENVELA® REGRESSED DOWNLIGHT SURGICAL SUITE LUMINAIRES

## M2RDL SERIES – NON-IC RATED LED

### PRODUCT FEATURES:

- » 6" recessed downlight with sealed, regressed lens
- » Fastenerless trim for architectural aesthetic
- » Delivered lumens: 1,550 - 3,300 lm
- » Conducted emissions controlled as per MILSTD 461F
- » 1% dimming via 0-10V control



### SPECIFICATIONS

**HEAT SINK:** Die-cast aluminum with external radial fins for natural convection.

**MOUNTING FRAME:** 18-gauge die-formed, corrosion-resistant steel. Vertically-adjustable collar accommodates ceiling thicknesses between ½" and 2"; adjustable post-installation. Adjustable mounting bars for installation with wood and steel frame joints and T-grid ceiling systems spaced up to 24" on-center. Junction box accessible post installation from above and below ceiling. (6) ½" knockouts. Rated for (8) 12AWG 90°C branch circuit conductors (4 in, 4 out).

**TRIM/FINISHING SECTION:** Trim constructed of marine-grade die-cast aluminum with flat white acrylic finish. Optional antimicrobial finish. Finishing section secures to mounting frame with hidden spring clips.

**OPTICAL:** Spun aluminum reflector with clear semi-specular, anodized finish standard. High-efficiency mixing chamber design with regressed diffused lens produces homogeneous light output.

**ELECTRICAL:** Serviceable composite-bodied mid-power LED array. Available 3000K, 3500K, 4000K and 5000K color temperatures with maximum 3-step MacAdam variation allowance. Minimum 80 CRI standard with optional minimum 90CRI available. 120/277VAC or 347VAC, 50/60Hz electrical input with serviceable high power factor electronic, constant-current driver (<10% THD, >0.90 PF). Minimum 85% driver efficiency. Standard 0-10V dimming with 1-100% range; 200µA maximum source current. EMC meets or exceeds FCC CFR Part 15 Class A requirements and MIL-STD 461F requirements. RFI suppressor standard with 120V voltage selection.

**PHOTOMETRICS:** Photometry tested to the IESNA LM-79-08 standard by an ILAC/ISO17025 accredited laboratory. For photometric information, go to [www.kenall.com](http://www.kenall.com).

**WARRANTY:** Limited five (5) year LED warranty.

**LISTINGS:** Luminaire is certified to UL standards by Intertek Testing Laboratory for non-IC and Wet Location installations. IP64 rating per IEC60598. NSF2 Splash/Non-Food Zone. Optional CCEA compliance.



### ORDERING INFORMATION (Ex: M2RDL6L-19L-35K8-120-DCC-ALG-CSS-TTG-FS)

Model	Lamp power	Lamp Color	Voltage	Driver Type	Trim Finish	Reflector Finish	Lens Type	Options
<b>M2RDL6L</b>				<b>DCC</b>			<b>TTG</b>	
<b>Lamp Power</b>		<b>Lamp Color</b>		<b>Trim Finish</b>		<b>Lens Type</b>		
19L	19 Watt LED	30K8	3000K / 80 CRI min.	FW	Flat White (STD)	TTG	.187" Textured Tempered Glass	
31L	31 Watt LED	30K9	3000K / 90 CRI min.	ALG	Antimicrobial Low Gloss White		<b>Options</b>	
		35K8	3500K / 80 CRI min.	CC	Custom Color (Consult Factory)		FS	Fuse & Holder
		35K9	3500K / 90 CRI min.				CCEA	CCEA Approved
		40K8	4000K / 80 CRI min.				WW	Wall Wash
		40K9	4000K / 90 CRI min.					
		50K8	5000K / 80 CRI min.					
		50K9	5000K / 90 CRI min.					
			<b>Voltage</b>					
			120	120 Volts				
			277	277 Volts				
			347	347 Volts				
				<b>Driver Type</b>				
				DCC	0-10V Dimming Constant Current			



www.kenall.com | P: 800-4-Kenall | F: 262-891-9701 | 10200 55th Street Kenosha, Wisconsin 53144, USA

A brand of **legrand**

This product complies with the Buy American Act: manufactured in the United States with more than 50% of the component cost of US origin. It may be covered by patents found at [www.kenall.com/patents](http://www.kenall.com/patents). Content of specification sheets is subject to change; please consult [www.kenall.com](http://www.kenall.com) for current product details. ©2019 Kenall Mfg. Co.

# MEDMASTER ENVELA® REGRESSED DOWNLIGHT

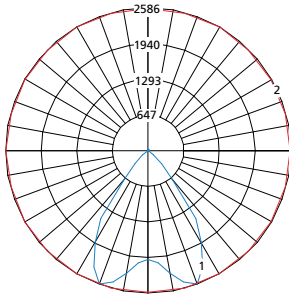
## M2RDL SERIES – NON-IC RATED LED

### PERFORMANCE

Lamp Power	Lamp Color	Delivered Lumens, By Optic (lm)		Efficacy (lm/W)	Input Power (W)	Estd. L70 LED Life (Hrs)
		CSS	ALG			
19L	30K8	2,047	1,925	92 - 97	21	150,000
19L	30K9	1,657	1,558	74 - 79	21	150,000
19L	35K8	2,123	1,996	95 - 101	21	150,000
19L	35K9	1,692	1,591	76 - 81	21	150,000
19L	40K8	2,142	2,014	96 - 102	21	150,000
19L	40K9	1,720	1,617	77 - 82	21	150,000
19L	50K8	2,242	2,108	100 - 107	21	150,000
19L	50K9	1,846	1,736	83 - 88	21	150,000
31L	30K8	3,013	2,833	81 - 86	35	125,000
31L	30K9	2,438	2,293	66 - 70	35	125,000
31L	35K8	3,124	2,937	84 - 89	35	125,000
31L	35K9	2,490	2,341	67 - 71	35	125,000
31L	40K8	3,152	2,964	85 - 90	35	125,000
31L	40K9	2,531	2,380	68 - 72	35	125,000
31L	50K8	3,299	3,102	89 - 94	35	125,000
31L	50K9	2,716	2,554	73 - 78	35	125,000

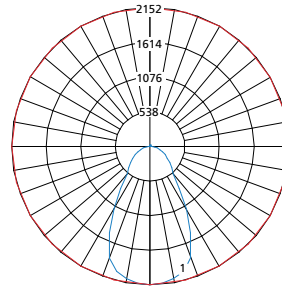
Subject to change without notice. Visit [www.kenall.com](http://www.kenall.com) for ies files and additional information.

Model: M2RDL6L-31L-40K8-120-DCC-ALG-CSS-TTG



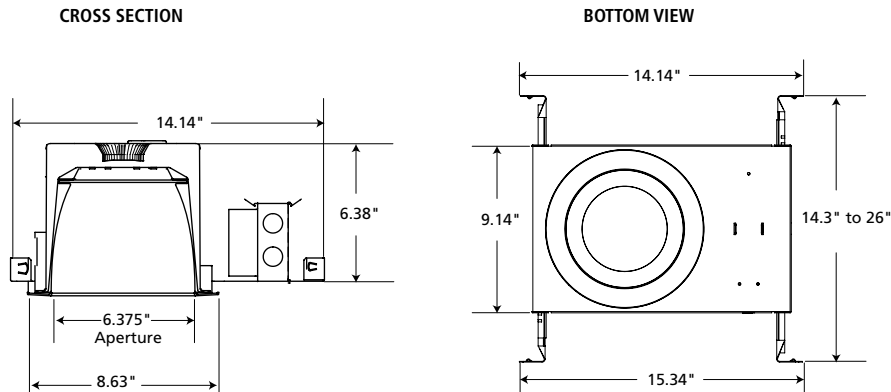
Max Candela = 2586 Located At Horizontal Angle = 60, Vertical Angle = 20  
 1 - Vertical Plane Through Horizontal Angles (60-240) (Through Max. Cd.)  
 2 - Horizontal Cone Through Vertical Angle (20) (Through Max. Cd.)

Model: M2RDL6L-31L-40K8-120-DCC-ALG-ALG-TTG



Max Candela = 2152 Located At Horizontal Angle = 0, Vertical Angle = 0  
 1 - Vertical Plane Through Horizontal Angles (0-360) (Through Max. Cd.)  
 2 - Horizontal Cone Through Vertical Angle (0) (Through Max. Cd.)

### DIMENSIONAL DATA



RECOMMENDED CEILING CUT-OUT: 8.125" dia.



[www.kenall.com](http://www.kenall.com) | P: 800-4-Kenall | F: 262-891-9701 | 10200 55th Street Kenosha, Wisconsin 53144, USA

A brand of **legrand**

This product complies with the Buy American Act: manufactured in the United States with more than 50% of the component cost of US origin. It may be covered by patents found at [www.kenall.com/patents](http://www.kenall.com/patents). Content of specification sheets is subject to change; please consult [www.kenall.com](http://www.kenall.com) for current product details. ©2019 Kenall Mfg. Co.