

MEDMASTER™

Patient Room Luminaires

MAC SERIES – SURFACE MOUNT

PRODUCT FEATURES:

- » Surface ceiling mount – 1'x4', 2'x2', 2'x4'
- » Center basket provides indirect ambient lighting
- » Ingress Barrier Door provides consistent surface for cleanability



PROJECT INFORMATION

Job Name _____

Fixture Type _____

Catalog Number _____

Approved by _____

SPECIFICATIONS

HOUSING: 18-gauge CRS. One-piece seam welded construction. White TGIC polyester powder coat – 5-stage pre-treatment. Salt spray test 1,000 hours. Reflectance 92%. See Ordering Options for Antimicrobial Finish.

DOORFRAME: Heavy duty extruded aluminum with clear satin anodized finish. Doorframe supported to housing with aircraft cables (IB-AC) to provide NSF2 listing, or an optional continuous hinged doorframe (IB-HD). Select in ordering options below. Phillips head stainless steel fasteners secure door to housing – 8 with IB-AC (1x4, 2x2), 10 with IB-AC (2x4) and 2 with IB-HD (2x2) and 3 with IB-HD (1x4, 2x4). Extruded closed cell gasket seals doorframe to housing.

LENS: .125" clear high impact acrylic. Sealed to extruded aluminum frame with a vinyl gasket.

LAMP SHIELDING: Perforated aluminum basket with pearlescent acrylic diffuser – white TGIC polyester powder coat finish.

ELECTRICAL: LED: Available 3500K, 4000K and 5000K color temperatures, 82 CRI. 120-277VAC, 50/60Hz electrical input with serviceable high power factor electronic, constant-current driver (<20% THD, >0.95 PF). Standard 0-10V dimming with 10-100% range, maximum driver source of 500 µA. LF: Fluorescent electronic ballasts, high power factor (<10% THD.) See Ordering Information for optional equipment. Lamps by others.

SENSOR & CONTROLS: Optional sensor available with compatible third party controls. To see the full list of compatible controls, click [here](#).

INSTALLATION: Four .375" diameter holes.

WARRANTY: Limited five (5) year warranty.

LISTINGS: UL and CUL Listed for Wet Location and UL certified IP65 per IEC 60598. NSF2 Splash Zone (IB-AC only).



ORDERING INFORMATION (Ex:MAC22-S-1-17-IS-1-120-IB-AC)

Model	Mounting	Lamp Qty/Type	Ballast Type	Ballast Qty	Voltage	Doorframe	Options	Accessories
	S					IB-		
Model		Lamp Type (Cont.)		Lamp Type (Cont.)		Doorframe		
MAC14 1'x4'		2x2		2x4		AC Ingress Barrier w/Aircraft Cables		
MAC22 2'x2'		45L35K 45 Watt 3500K LED		45L35K 45 Watt 3500K LED		HD Ingress Barrier w/Continuous Piano Hinge (not NSF2 listed)		
MAC24 2'x4'		45L40K 45 Watt 4000K LED		45L40K 45 Watt 4000K LED				
		45L50K 45 Watt 5000K LED		45L50K 45 Watt 5000K LED				
Mounting		1-14† One F14T5		67L35K 67 Watt 3500K LED		Options		
S Surface		2-14† Two F14T5		67L40K 67 Watt 4000K LED		LEL LED Emergency Battery Pack (n/a with 1'x4' fixture)		
		3-14† Three F14T5		67L50K 67 Watt 5000K LED		EL* Standard Lumen One-Lamp EL Pack (347V dry location only)		
Lamp Type		1-24† One F24T5HO		90L35K 90 Watt 3500K LED		AMF Antimicrobial Finish on exposed painted surfaces		
1x4		2-24† Two F24T5HO		90L40K 90 Watt 4000K LED		DLN LED Night Light w/Light Level Control		
67L35K 67 Watt 3500K LED		3-24† Three F24T5HO		90L50K 90 Watt 5000K LED		TN† Night Light – 5/7/9 Watt PL (Lamp supplied by other)		
67L40K 67 Watt 4000K LED		1-17 One 17T8		1-28† One F28T5		FS Single Fuse & Holder (1 per ballast)		
67L50K 67 Watt 5000K LED		2-17 Two 17T8		2-28† Two F28T5		LVC† Low Voltage Controller (See Application Guide or consult factory for switching options)		
1-28 One F28T5		3-17 Three 17T8		3-28† Three F28T5		RF† Radio Frequency Filter (1 per ballast)		
2-28 Two F28T5				1-32 One F32T8		Accessories		
1-32 One F32T8				2-32 Two F32T8		TH 1/2" Trade Size Threaded Hub		
2-32 Two F32T8				3-32 Three F32T8		HJ Sealed Wireway		
1-54 One F54T5HO				1-54 One F54T5HO				
1-54A One F54T5HO amalgam				2-54 Two F54T5HO				
2-54 Two F54T5HO								
2-54A Two F54T5HO amalgam								
				Ballast/Driver Type				
				IS Instant Start Electronic <10% THD (T8)				†n/a with 347V
				RS Rapid Start Electronic <10% THD (T8,T5,T5HO)				*n/a with LED Lamping
				SB Specified Ballast				
				DCC Dimming Constant Current Driver				
				Ballast Quantity				
				1 One				
				2 Two				
				Voltage				
				120 120 Volts				
				277 277 Volts				
				347 347 Volts (consult factory)				
				DV 120-277 Volts				



www.kenall.com | P: 800-4-Kenall | F: 262-891-9701 | 10200 55th Street Kenosha, Wisconsin 53144, USA

A brand of **legrand**

This product complies with the Buy American Act: manufactured in the United States with more than 50% of the component cost of US origin. It may be covered by patents found at www.kenall.com/patents. Content of specification sheets is subject to change; please consult www.kenall.com for current product details. ©2022 Kenall Mfg. Co.

MEDMASTER™

Patient Room Luminaires

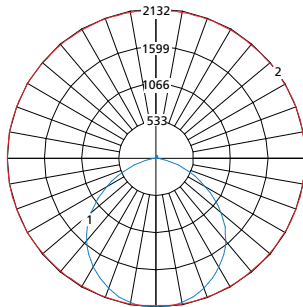
MAC SERIES – SURFACE MOUNT

PERFORMANCE

Model	Lamp Type	Initial Delivered Lumens			Drive Current (mA)	Estd. L70 LED Life (Hrs)
		@ 25°C	Efficacy (lm/W)	Input Power (W)		
MAC14	67L35K	1965	27	72	66	80,000
	67L40K	2095	29	72	66	80,000
	67L50K	2179	30	72	66	80,000
MAC22	45L35K	2547	51	50	94	80,000
	45L40K	2715	54	50	94	80,000
	45L50K	2824	56	50	94	80,000
MAC24	45L35K	2344	47	50	94	80,000
	45L40K	2499	50	50	94	80,000
	45L50K	2599	52	50	94	80,000
	67L35K	3686	50	74	66	80,000
	67L40K	3929	53	74	66	80,000
	67L50K	4086	55	74	66	80,000
	90L35K	4688	48	98	94	60,000
	90L40K	4998	51	98	94	60,000
	90L50K	5198	53	98	94	60,000

Displayed information is for selected luminaires only. Additional wattages and color temperatures are also available. Visit www.kenall.com for additional information.

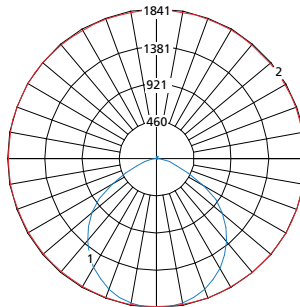
Model: MAC14-S-67L40K-DCC-DV-IB-AC



Maximum Candela = 841 Located At Horizontal Angle = 15, Vertical Angle = 5

1 - Vertical Plane Through Horizontal Angles (15-195) (Through Max. Cd.)
 2 - Horizontal Cone Through Vertical Angle (5) (Through Max. Cd.)

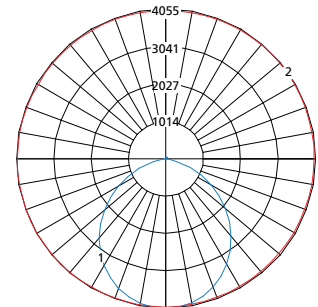
Model: MAC22-S-45L40K-DCC-DV-IB-AC



Maximum Candela = 1086 Located At Horizontal Angle = 330, Vertical Angle = 5

1 - Vertical Plane Through Horizontal Angles (330-150) (Through Max. Cd.)
 2 - Horizontal Cone Through Vertical Angle (5) (Through Max. Cd.)

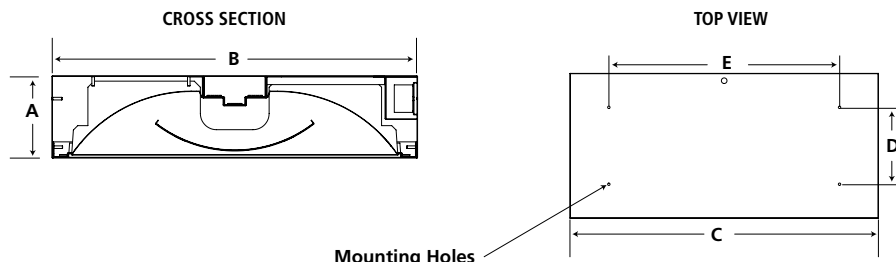
Model: MAC24-S-90L40K-DCC-DV-IB-AC



Maximum Candela = 2008 Located At Horizontal Angle = 210, Vertical Angle = 5

1 - Vertical Plane Through Horizontal Angles (210-30) (Through Max. Cd.)
 2 - Horizontal Cone Through Vertical Angle (5) (Through Max. Cd.)

DIMENSIONAL DATA



DIMENSIONAL DATA (IN INCHES)

	A	B	C	D	E
1x4 T5	5.13	10.60	32.00	4.25	46.60
1x4 T8/LED	5.13	10.60	32.00	4.25	48.12
2x2 T5	5.56	22.60	12.00	12.00	22.60
2x2 T8/LED	5.56	22.60	12.00	12.00	24.12
2x4 T5	5.56	22.60	36.00	12.00	46.60
2x4 T8/LED	5.56	22.60	36.00	12.00	48.12



www.kenall.com | P: 800-4-Kenall | F: 262-891-9701 | 10200 55th Street Kenosha, Wisconsin 53144, USA

A brand of Legrand

This product complies with the Buy American Act: manufactured in the United States with more than 50% of the component cost of US origin. It may be covered by patents found at www.kenall.com/patents. Content of specification sheets is subject to change; please consult www.kenall.com for current product details. ©2022 Kenall Mfg. Co.