

MILLENNIUM OS™

MOS SERIES

PRODUCT FEATURES:

- » Diffused LED source reduces glare while maintaining high optical efficiency
- » Standard occupancy sensor
- » Wet Location Listed and IP65 rated
- » 2,250 – 4,800 lumen configurations
- » Vandal resistant for high abuse areas
- » Designed to meet NFPA101 standards
- » 10 year limited product warranty



PROJECT INFORMATION

Job Name _____

Fixture Type _____

Catalog Number _____

Approved by _____

SPECIFICATIONS

HOUSING: Marine-grade die-cast aluminum and injection-molded polycarbonate construction. Integral aluminum heatsink with concealed air inlet and convection fins. TGIC polyester powder coat finish with five-step pre-treatment; salt-spray test 1,000 hours. See Ordering Information for available finishes. Closed-cell neoprene self-adhesive gasket seals housing to mounting surface. Closed cell silicone gasket seals diffuser to housing.

LENS/REFLECTOR: UV-stabilized, high-impact resistant, injection molded clear textured 100% DR acrylic or polycarbonate diffuser. ≥97% efficiency on internal reflector. Lens secured with four Torx® fasteners.

ELECTRICAL: Replaceable mid-power LED array. See Ordering Information for color temperature and CRI options. 120-277VAC, 50/60Hz input with replaceable high power factor electronic constant-current dimming driver (<20% THD, >0.90 PF). EMC compliant to FCC CFR Part 15. Standard 20KV/KA surge protection to IEEE/ANSI C62.41 Cat. A.

CONTROLS: Standard embedded occupancy sensor utilizes 5.8GHz High-Frequency Doppler (HFD) technology for enhanced coverage area and reduced temperature sensitivity in stairwells compared to passive infrared (PIR). Completely enclosed sensor maintains Wet Location listing and IP65 rating. EMC compliant to FCC CFR Part 15. Factory default settings of 20 min. time out, 30% standby output. For other controls options, select TekLink options below.

TEKLINK™ TL50: An independent lighting control system integral to the luminaire, featuring its own occupancy sensor, daylight harvesting and adjustable time-out/dimming settings.

TEKLINK™ TL100: Centralized, wired zonal occupancy and closed-loop daylight harvesting control system. TL100 controllers are standalone devices and ordered separately for luminaire. [Click here for specifications.](#)

TEKLINK™ TL1000/2000: An adaptive lighting control system with wired or wireless communication between system nodes. In addition to occupancy detection and daylight harvesting, TL1000 and TL2000 feature advanced scheduling and energy management capabilities with cloud-based management of system settings, reporting and notifications. Meets CA Title 24-2013 and ASHRAE 90.1-2013 requirements.

INSTALLATION: Surface-mount to ceiling or wall. Four point mounting required for Peace of Mind Guarantee™. Ambient temperature rating is -40°C to 55°C.

PHOTOMETRICS: Photometry tested to the IESNA LM-79-08 standard by an ILAC/ISO17025 accredited laboratory. For photometric information, go to www.kenall.com.

WARRANTY: Limited [ten \(10\) year warranty.](#)

LISTINGS: Luminaire is certified to UL Standards by Intertek Testing Laboratory for Wet Location. IP65 rating per IEC 60598. ADA compliant.



ORDERING INFORMATION (Ex: MOS-18-MB-TA-20L50K-DV-FS)

Model	Size	Finish	Lens	Lamp Type	Voltage	Options	Accessory	TekLink	Controls Kit
MOS	18								< >
	Size		Lens			Options			
	18	18" length	TA Textured Acrylic TP Textured Polycarbonate			LEL* LED Emergency Battery Backup (n/a with 347V) FS Single Fuse & Holder PH Phillips Head Fasteners 2C* Two Circuit Wiring (n/a with LEL option or 347V)			
	Finish			Lamp Type			Accessory		
	DB Dark Bronze LG Light Gray MB Matte Black MW Matte White CC Custom Color			20L40K 20 Watt 4000K LED, 80 CRI 20L50K 20 Watt 5000K LED, 75 CRI 50L40K 50 Watt 4000K LED, 80 CRI 50L50K 50 Watt 5000K LED, 75 CRI			9500 Torx® with center pin Screwdriver		
				Voltage				TekLink*	
				DV 120-277 Volts 347 347 Volts				TL50 TL50 Control System (Click here for specifications) TL100 TL100 Control System (Click here for specifications) TL1000 TL1000 Wired Control System (Click here for specifications) TL2000 TL2000 Wireless Control System (Click here for specifications) CSD Control System Delete	
								Controls Kit	
								< > Factory Assigned Internal Code	

▲ Factory wired as unswitched; Operating temperature range (0°C to 25°C)
 * 50L lamp type only; Includes one driver and LED array per circuit
 ▼ Please consult Kenall Applications when ordering Controls



www.kenall.com

P: 800-4-Kenall

F: 262-891-9701

10200 55th Street Kenosha, Wisconsin 53144

When you see this image, you will know the Kenall product shown or described is designed and manufactured in the USA with components purchased from US suppliers, and meets the Buy American requirements under the ARRA. Kenall has not determined the origin of its domestically purchased components or the subcomponents thereof. May be covered by patents found at www.kenall.com/patents. Content of specification sheets is subject to change; please consult www.kenall.com for current product details. © 2016 Kenall Mfg. Co. All rights reserved.

MILLENIUM OS™

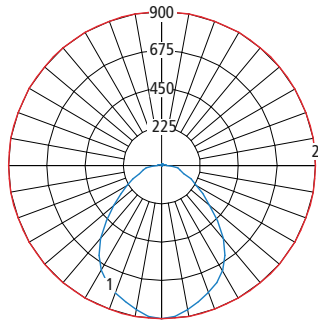
MOS SERIES

PERFORMANCE

Lamp Type	Initial Delivered Lumens						Input Power (W)	Drive Current (mA)	Estd. L ₇₀ LED Life (hrs)
	TP Lens			TA Lens					
	@ 25°C (lm)	Efficacy (lm/W)	Battery Mode (lm)	@ 25°C (lm)	Efficacy (lm/W)	Battery Mode (lm)			
20L40K	2267	88	1292	2415	93	1376	26	117	100,000
20L50K	2267	88	1292	2415	93	1376	26	117	100,000
50L40K	4528	80	1218	4832	86	1300	56	175	100,000
50L50K	4528	80	1218	4832	86	1300	56	175	100,000

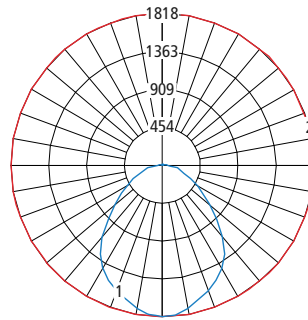
Battery Mode Delivered Lumen Output is the measured luminaire output after 90 minutes of battery operation (when ordered with LEL Option). Subject to change without notice. Visit www.kenall.com for IES files and additional information.

Model: MOS-18-MW-TP-20L40K-DCC-DV



Max Candela = 900 Located At Horizontal Angle = 0, Vertical Angle = 0
 1 - Vertical Plane Through Horizontal Angles (0 - 180) (Through Max. Cd.)
 2 - Horizontal Cone Through Vertical Angle (0) (Through Max. Cd.)

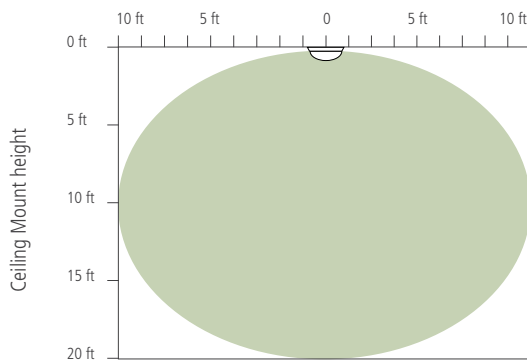
Model: MOS-18-MW-TP-50L40K-DCC-DV



Max Candela = 1818 Located At Horizontal Angle = 0, Vertical Angle = 0
 1 - Vertical Plane Through Horizontal Angles (0 - 180) (Through Max. Cd.)
 2 - Horizontal Cone Through Vertical Angle (0) (Through Max. Cd.)

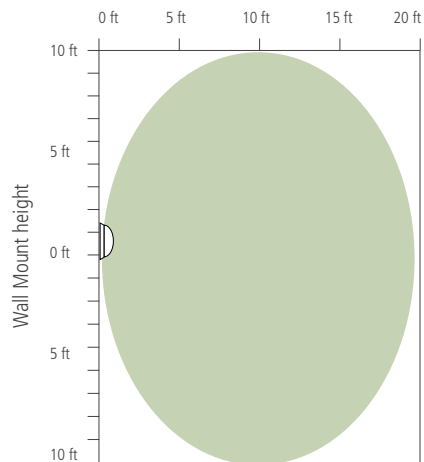
SENSOR COVERAGE

Ceiling Mount Pattern (ft)



Area of high sensitivity

Wall Mount Pattern (ft)



www.kenall.com

P: 800-4-Kenall

F: 262-891-9701

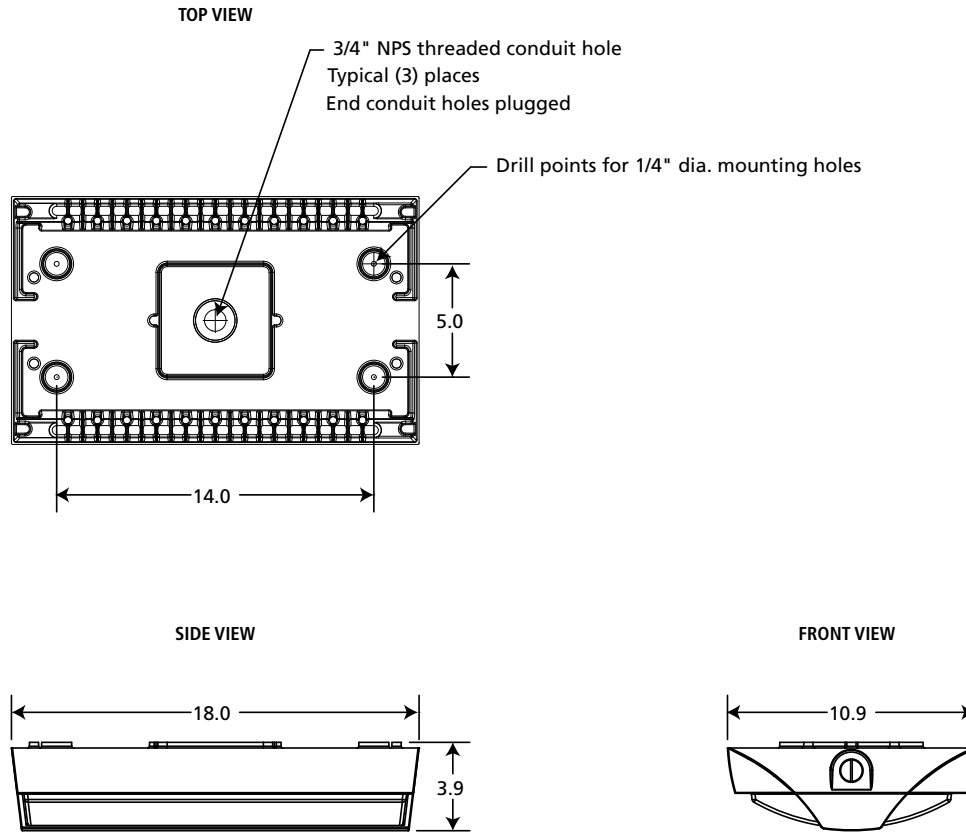
10200 55th Street Kenosha, Wisconsin 53144

When you see this image, you will know the Kenall product shown or described is designed and manufactured in the USA with components purchased from US suppliers, and meets the Buy American requirements under the ARRA. Kenall has not determined the origin of its domestically purchased components or the subcomponents thereof. May be covered by patents found at www.kenall.com/patents. Content of specification sheets is subject to change; please consult www.kenall.com for current product details. © 2016 Kenall Mfg. Co. All rights reserved.

MILLENIUM OS™

MOS SERIES

DIMENSIONAL DATA



www.kenall.com

P: 800-4-Kenall

F: 262-891-9701

10200 55th Street Kenosha, Wisconsin 53144

When you see this image, you will know the Kenall product shown or described is designed and manufactured in the USA with components purchased from US suppliers, and meets the Buy American requirements under the ARRA. Kenall has not determined the origin of its domestically purchased components or the subcomponents thereof. May be covered by patents found at www.kenall.com/patents. Content of specification sheets is subject to change; please consult www.kenall.com for current product details. © 2016 Kenall Mfg. Co. All rights reserved.