

MILLENNIUM™ ROUND

MR13 SERIES – 24 HOUR SHIP PROGRAM

PRODUCT FEATURES:

- » Surface mount – ceiling or wall; 13" Dia. x4"D
- » Peace of Mind Guarantee® against breakage
- » Dust and water protected to IP64 standards
- » ADA compliant



PROJECT INFORMATION

Job Name _____

Fixture Type _____

Catalog Number _____

Approved by _____

SPECIFICATIONS:

BASEPLATE: Marine grade die-cast aluminum. Integral heat sinks. Baseplate flange interlocks and wraps around lens base producing maximum moisture deflection and resistance to prying. Baseplate provided with four-point mounting holes, one wireway hole and temporary junction box mounting breakouts. See installation detail. Standard matte white exterior TGIC polyester powder coat – 5-step pre-treatment. See Ordering Information for optional finishes.

REFLECTOR: Full reflector/wire cover – 92% reflectivity.

LENS: UV-stabilized, high impact resistant, virgin injection molded polycarbonate. High efficiency blonded fluted lens maximizes uniformity. Close tolerance push/turn/lock-in-place mating of injection molded lens and lens base. Lens and lens base secured with one concealed captive Torx® with center pin fastener.

LENS BASE: High impact resistant, injection molded matte white polycarbonate.

GASKETING: Die-cut, closed cell neoprene self adhesive gasket seals baseplate to mounting surface. Closed cell, silicone "O" ring gaskets positioned and friction secured in gasket channels of lens base, baseplate and optional surface adapter.

HARDWARE: One stainless steel Torx® with center pin fastener.

ELECTRICAL: Available in 3500K, 4000K, and 5000K color temperatures, 80 CRI. 120-277VAC, 50/60Hz electrical input with high power factor electronic, constant-current driver (>.90 PF). Standard 0-10V dimming with 1-100% range; maximum driver source of 200 µA.

PHOTOMETRICS: Photometry tested to the IESNA LM-79-08 standard by an ILAC/ISO17025 accredited laboratory. For additional photometric information, go to www.kenall.com.

WARRANTY: One (1) year warranty against defects in materials and workmanship. Five (5) year warranty on LED lamps and driver for defects resulting in a fixture lumen depreciation of 30% or greater.

LISTINGS: Luminaire is certified to UL Standards by either Underwriters Laboratory or Intertek Testing Laboratory for Wet Location (listing includes Emergency Battery Pack "LEL" option). UL certified IP64 per IEC 60598. ADA compliant.



ORDERING INFORMATION (Ex: MR13FL-PP-MW-10L40K-DV)

Model	Lens Type	Finish	Lamp Type	Voltage
MR13FL	PP	MW	10L40K	DV
Model MR13FL Full Face	Lens Type PP Pearlescent Polycarbonate	Finish MW Matte White	Lamp Type 10L40K 10 Watt 4000K LED	Voltage DV 120-277 Volts



www.kenall.com

P: 800-4-Kenall

F: 262-891-9701

10200 55th Street Kenosha, Wisconsin 53144

When you see this image, you will know the Kenall product shown or described is designed and manufactured in the USA with components purchased from US suppliers, and meets the Buy American requirements under the ARRA. Kenall has not determined the origin of its domestically purchased components or the subcomponents thereof. May be covered by patents found at www.kenall.com/patents. Content of specification sheets is subject to change; please consult www.kenall.com for current product details. © 2015 Kenall Mfg. Co. All rights reserved.

MR13_L-021516

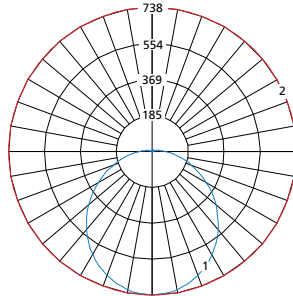
MILLENIUM™ ROUND

MR13 SERIES – TECHNICAL DATA

PERFORMANCE		Initial Delivered Lumens		Input Power (W)	Drive Current (mA)	Estd. L70 LED Life (hrs)
Model	Lamp Type	@ 25°C (lm)	Efficacy (lm/W)			
MR13FL	10L40K	1,166	90	13	94	100,000

Info subject to change. Visit www.kenall.com for IES files and additional information.

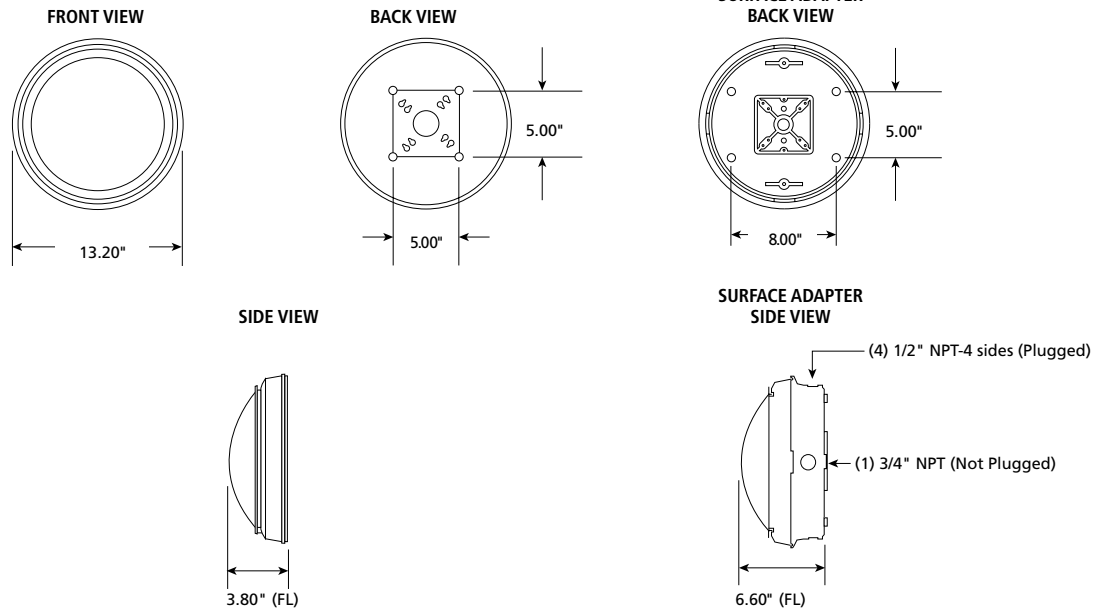
Model: MR13FL-PP-MW-20L40K-DV



Max Candela = 738 Located At Horizontal Angle = 0, Vertical Angle = 0

- 1 - Vertical Plane Through Horizontal Angles (0-180) (Through Max. Cd.)
- 2 - Horizontal Cone Through Vertical Angle (0) (Through Max. Cd.)

DIMENSIONAL DATA



www.kenall.com

P: 800-4-Kenall

F: 262-891-9701

10200 55th Street Kenosha, Wisconsin 53144

When you see this image, you will know the Kenall product shown or described is designed and manufactured in the USA with components purchased from US suppliers, and meets the Buy American requirements under the ARRA. Kenall has not determined the origin of its domestically purchased components or the subcomponents thereof. May be covered by patents found at www.kenall.com/patents. Content of specification sheets is subject to change; please consult www.kenall.com for current product details. © 2015 Kenall Mfg. Co. All rights reserved.

MR13_L-021516