

RANGER™

R12 SERIES – 24 HOUR SHIP PROGRAM

PRODUCT FEATURES:

- » Surface mount – wall or ceiling; 12" x 48"
- » 20-gauge cold rolled steel baseplate with one-piece extruded clear prismatic acrylic lens
- » ADA compliant
- » One year guarantee



PROJECT INFORMATION

Job Name _____

Fixture Type _____

Catalog Number _____

Approved by _____

SPECIFICATIONS

HOUSING: One-piece 20-gauge CRS baseplate and end caps. Baseplate provided with four-point mounting holes and one wireway hole – see Cross Section/Details. White TGIC polyester powder coat – 5-stage pre-treatment. Salt spray test: 1,000 hours; Reflectance: 92%. Baseplate/endcaps mount flush to ceiling or wall surface.

LENS: One-piece extruded clear prismatic impact blend acrylic. See Options for alternate lenses.

SOCKETS: Shock-resistant sockets with internal locking collar to ensure positive lamp retention.

HARDWARE: Two white nylon fasteners secure lens in baseplate channel.

ELECTRICAL: Available 4000K color temperature, 82 CRI. 120-277VAC, 50/60Hz electrical input with serviceable high power factor electronic, constant-current driver (<20% THD, >0.95 PF). Maximum driver source of 250 µA.

INSTALLATION: Six-point mounting required for One Year Guarantee.

WARRANTY: Limited five (5) year warranty for LED lamps.

LISTINGS: UL and CUL listed for Damp Locations – wall and ceiling mount. See WL Option for Wet Locations, covered ceilings only. ADA Compliant.



ORDERING INFORMATION (Ex: R12-48-76L40K-SCC-DV)

Model	Nominal Length	Lamp Type	Driver Type	Voltage
R12	48	76L40K	SCC	DV
	Nominal Length 48 4'	Lamp Type 76L40K 76 Watt 4000K LED	Driver Type SCC Standard Constant Current LED Driver	Voltage DV 120-277 Volts



www.kenall.com

P: 800-4-Kenall

F: 262-891-9701

10200 55th Street Kenosha, Wisconsin 53144

When you see this image, you will know the Kenall product shown or described is designed and manufactured in the USA with components purchased from US suppliers, and meets the Buy American requirements under the ARRA. Kenall has not determined the origin of its domestically purchased components or the subcomponents thereof. May be covered by patents found at www.kenall.com/patents. Content of specification sheets is subject to change; please consult www.kenall.com for current product details. © 2015 Kenall Mfg. Co. All rights reserved.

R12-091015

RANGER™

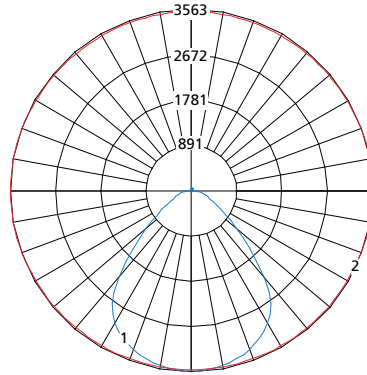
R12 SERIES

PERFORMANCE

Lamp Type	Initial Delivered Lumens		Input Power (W)	Drive Current (mA)	Estd. L70 LED Life (Hrs)
	@ 25°C (lm)	Efficacy (lm/W)			
76L40K	7469	84	89	94	60,000

Displayed information is for selected luminaires only. Additional wattages and color temperatures are also available. Visit www.kenall.com for additional information.

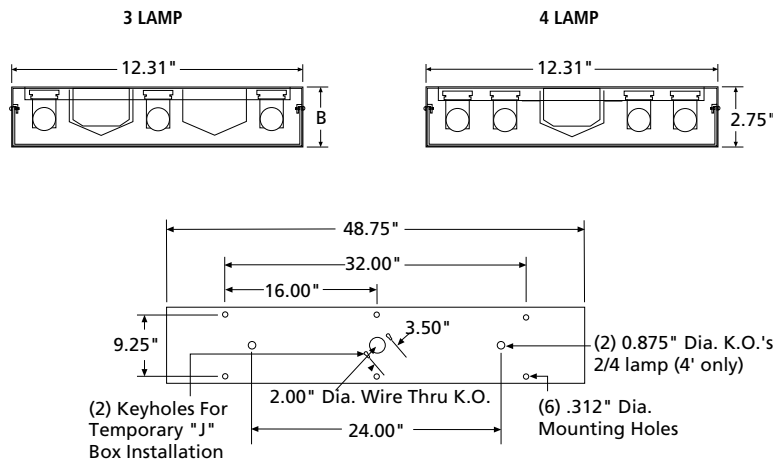
Model: R12-48-76L40K-SCC-DV



Maximum Candela = 3563 Located At Horizontal Angle = 15, Vertical Angle = 2.5

- 1 - Vertical Plane Through Horizontal Angles (15-195) (Through Max. Cd.)
- 2 - Horizontal Cone Through Vertical Angle (2.5) (Through Max. Cd.)

DIMENSIONAL DATA



www.kenall.com

P: 800-4-Kenall

F: 262-891-9701

10200 55th Street Kenosha, Wisconsin 53144

When you see this image, you will know the Kenall product shown or described is designed and manufactured in the USA with components purchased from US suppliers, and meets the Buy American requirements under the ARRA. Kenall has not determined the origin of its domestically purchased components or the subcomponents thereof. May be covered by patents found at www.kenall.com/patents. Content of specification sheets is subject to change; please consult www.kenall.com for current product details. © 2015 Kenall Mfg. Co. All rights reserved.