

TEKLINK™ CONTROLLER SYSTEM

TL100 SERIES

PRODUCT FEATURES:

- » Zonal occupancy and daylighting control
- » Low-voltage dimming control of luminaires
- » Suitable for new and retrofit installations
- » Self-commissioning of light level
- » L70 LED lifetime indication

TO DOWNLOAD WIRING DIAGRAMS (CAD), CLICK HERE.

SPECIFICATIONS

TEKLINK CONTROLLER: Centralized, zonal area occupancy and daylighting controller. Automatic self-commissioning of system parameters. L70 LED lifetime detection indicator. Adjustable 'standby' light level setting (20%-100%). Receives input from up to six (6) TekLink sensors. 0-10VDC dimming signal output to luminaires. Controls up to 32 luminaires per controller. Controllers can be interlinked to operate additional luminaires and sensors per zone. Integral LED indicators provide system status.

TEKLINK SENSOR: Operates by low-voltage power provided by TL100 Controller. Passive infrared (PIR) occupancy detection with integral light level sensor. Lenses options provide 360° coverage at various mounting heights and coverage areas. Adjustable occupancy time-out delay: 0 – 30m.

HOUSING: Seam-welded 18-gauge CRS. White TGIC polyester powder coat finish with five-step pre-treatment. Salt spray test: 1,000 hours. Housings provided with multiple 7/8" and 1" conduit knockouts. Controller housing includes clear polycarbonate window for viewing of system status indicators. Silicone gasketing. Sensor housing includes a tamper-resistant Torx® fastener. Controller housing includes pin-tumbler style keyed lock. All control module locks are keyed alike. Two keys included.

INSTALLATION: Suitable for mounting to wall or ceiling surfaces with four-point mounting. All signal cabling shall be wired Class I with 18AWG, 600V TFFN wire. Suitable for temperatures of -40°C to 40°C.

WARRANTY: Limited five (5) year warranty.

LISTINGS: SENSOR: Infrared sensor is Listed to UL508 for Wet Location, Covered Ceilings and Certified IP65 per IEC 60529. CONTROLLER: Wet Location – Covered Ceiling and Wall Mount Listed to UL 508. Certified IP65 per IEC 60529. All listings and certifications by Intertek Testing Laboratory.

NOTE: For more information, see [TL100 Application Guide](#).



Control System



Sensor

PROJECT INFORMATION

Job Name _____

Fixture Type _____

Catalog Number _____

Approved by _____



www.kenall.com | P: 800-4-Kenall | F: 262-891-9701 | 10200 55th Street Kenosha, Wisconsin 53144, USA

A brand of Legrand

This product complies with the Buy American Act: manufactured in the United States with more than 50% of the component cost of US origin. It may be covered by patents found at [www.kenall.com/patents](#). Content of specification sheets is subject to change; please consult [www.kenall.com](#) for current product details. ©2019 Kenall Mfg. Co.

TEKLINK™ CONTROLLER SYSTEM

TL100 SERIES

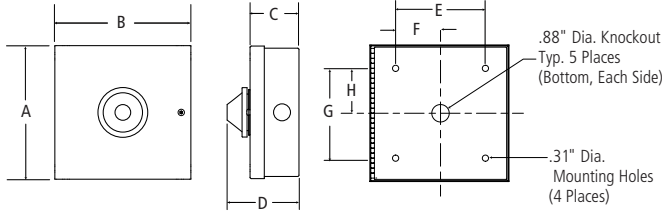
ORDERING INFORMATION – SENSOR MODULE

Model	Type	Sensor Lens	Sensor Qty
TL100	IRS		

Type
IRS Infrared Sensor

Sensor Lens
L488 360° lens, maximum coverage 48' diameter from 8' height
L6020 360° lens, maximum coverage 60' diameter from 20' height

Sensor Qty
1 One
2 Two



DIMENSIONAL DATA (IN INCHES) SENSOR MODULE

	A	B	C	D	E	F	G	H
1 Infrared Sensor (IR)	6.85	6.97	2.53	3.71	4.50	2.25	4.50	2.25
2 Infrared Sensors (IR)	6.85	15.35	2.53	3.71	12.00	6.00	4.50	2.25

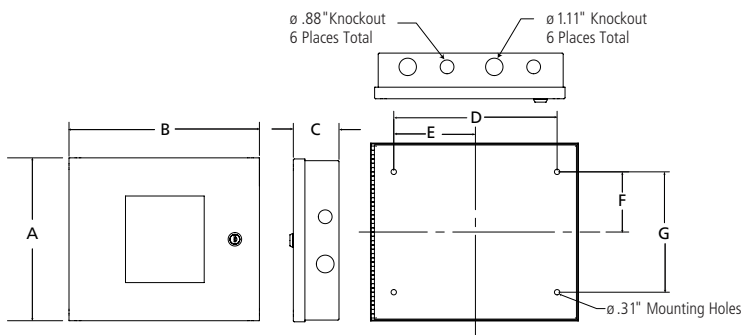
ORDERING INFORMATION – CONTROLLER

Model	Type	Controller Module Qty	Voltage
TL100	IRC		

Type
IRC Infrared Controller

Control Module Qty
1 One (One Zone, max. 6 sensors and 32 luminaires)
2 Two (Two Zones OR max. 12 sensors and 64 luminaires per zone)
3 Three (Three Zones OR max. 18 sensors and 96 luminaires per zone)
4 Four (Four Zones OR max. 24 sensors and 128 luminaires per zone)

Voltage
DV 120-277 Volts
347 347 Volts (60Hz, 25° C ambient only)



DIMENSIONAL DATA (IN INCHES) CONTROLLER

	A	B	C*	D	E	F	G
1 Controller	6.85	14.10	2.90	9.50	4.75	2.25	4.50
2 Controller	10.35	14.10	2.90	9.50	4.75	3.50	7.00
4 Controller	17.85	14.10	2.90	9.50	4.75	7.50	15.00

* The depth is 3.65" when ordered with 347V
(NOTE: For 3 Control modules use the 4 Controller dimensions)

ORDERING INFORMATION – COMBO SET

Model	Controller Type	Sensor Integral Type	Sensor Lens	Sensor & Module Qty	Voltage
TL100	IRC	IRS			

Controller Type
IRC Infrared Controller

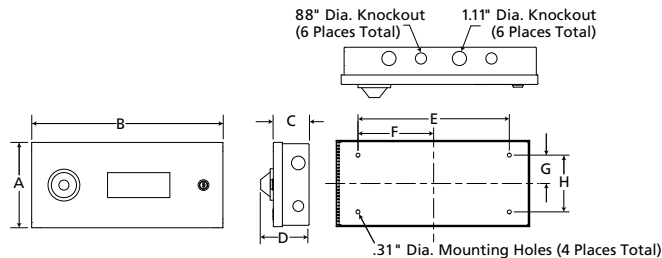
Sensor Integral Type
IRS Infrared Sensor

Sensor Lens
L488 360° lens, maximum coverage 48' diameter from 8' height
L6020 360° lens, maximum coverage 60' diameter from 20' height

Voltage
DV 120-277 Volts
347 347 Volts (60Hz, 25° C ambient only)

Sensor & Module Qty
1† One (One Zone, max. 5 additional sensors, 32 luminaires)

† System can be further expanded by additional sensors and controller units



DIMENSIONAL DATA (IN INCHES) COMBO

	A	B	C*	D*	E	F	G	H
1 Set Infrared Combo	6.85	15.85	2.90	3.93	12.00	6.00	2.25	4.50

* The depth of 'C' is 3.65" and 'D' is 4.68" when ordered with 347V



www.kenall.com | P: 800-4-Kenall | F: 262-891-9701 | 10200 55th Street Kenosha, Wisconsin 53144, USA

A brand of **Legrand**

This product complies with the Buy American Act: manufactured in the United States with more than 50% of the component cost of US origin. It may be covered by patents found at www.kenall.com/patents. Content of specification sheets is subject to change; please consult www.kenall.com for current product details. ©2019 Kenall Mfg. Co.